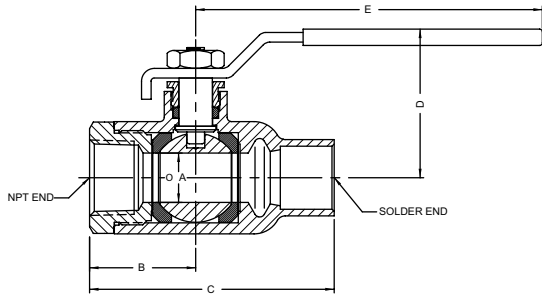


COMMERCIAL PRODUCTS CATALOG

General Purpose Ball Valves

70-200-63 SERIES



BALL VALVE WITH FNPT x SOLDER ENDS

Eliminates special pipe connector for connecting dissimilar piping such as iron and copper. Reliable shut-off and easy quarter-turn operation.

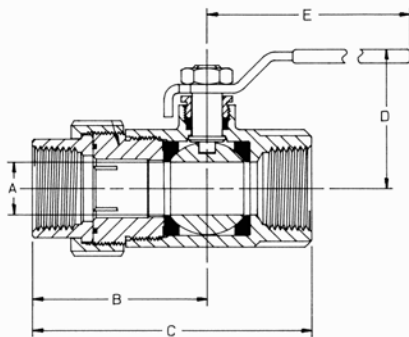
FEATURES

- Rated 600 psig CWP, non-shock
- Body is solder, retainer is threaded FNPT
- ASTM B584 Bronze
- Blowout-proof stem design
- RPTFE seats and stuffing box ring
- Vacuum service to 29 in. Hg

Model Number	Size (in.)	Dimensions (in.)				
		A	B	C	D	E
70-202-63	3/8	0.37	1.02	2.30	1.75	3.87
70-203-63	1/2	0.50	1.09	2.51	1.75	3.87
70-204-63	3/4	0.68	1.48	3.41	2.12	4.87
70-205-63	1	0.87	1.67	3.91	2.25	4.87
70-206-63	1-1/4	1.00	1.98	4.28	2.62	5.50
70-207-63	1-1/2	1.25	2.19	4.75	3.06	8.00
70-208-63	2	1.50	2.35	5.51	3.25	8.00
70-200-63	3	2.50	3.37	7.49	4.12	8.00

NOTE: 3/8" and 1/2" are full port.

70-300/400 SERIES



BALL VALVE WITH FNPT x UNION END

This valve combines a pipe union with ball valve shut-off; it saves time and labor by eliminating the need for extra connections. Viton O-ring sealed union requires light torque for proper seal.

FEATURES

- ASTM B584 Bronze
- Blowout-proof stem design
- Adjustable packing gland
- 600 psig CWP, non-shock
- NPT and solder union connection
- Vacuum service to 29 in. Hg
- 70LF-300/400 Series features EZ-Solder™ Lead Free Bronze

Model Number	LF Model Number	Size (in.)	Dimensions (in.)				
			A	B	C	D	E
NPT							
70-301-01	—	1/4	0.37	1.90	2.93	1.75	3.87
70-302-01	—	3/8	0.37	1.90	2.93	1.75	3.87
70-303-01	70LF-303-01	1/2	0.50	2.01	3.14	1.81	3.87
70-304-01	70LF-304-01	3/4	0.68	2.46	3.96	2.12	4.87
70-305-01	70LF-305-01	1	0.87	2.78	4.46	2.25	4.87
70-306-01	70LF-306-01	1-1/4	1.00	2.68	4.68	2.62	5.50
70-307-01	70LF-307-01	1-1/2	1.25	2.87	5.06	3.05	8.00
70-308-01	70LF-308-01	2	1.50	3.25	5.59	3.24	8.00
Solder							
70-403-01	—	1/2	0.50	2.00	3.43	1.75	3.87
70-404-01	70LF-404-01	3/4	0.68	2.62	4.56	2.06	4.78
70-405-01	70LF-405-01	1	0.87	2.81	5.06	2.25	4.78
70-406-01	70LF-406-01	1-1/4	1.00	2.87	5.18	2.62	5.50
70-407-01	70LF-407-01	1-1/2	1.25	2.92	5.53	3.10	8.00
70-408-01	70LF-408-01	2	1.50	3.50	6.75	3.24	8.00

NOTE: 1/4", 3/8", and 1/2" are full port.