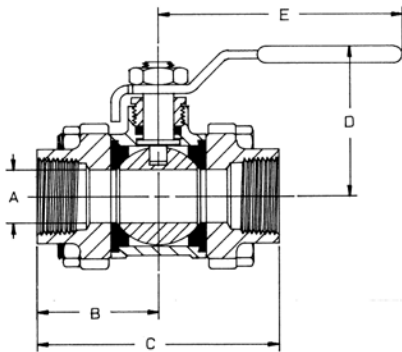
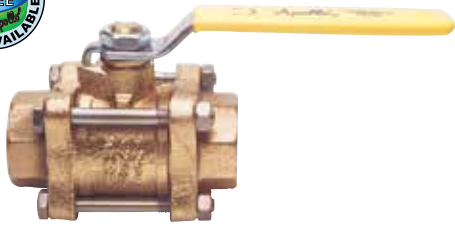


# COMMERCIAL PRODUCTS CATALOG

## Three-Piece Full Port Valves

### 82-100 SERIES



### FULL PORT BRONZE NPT THREE-PIECE VALVE

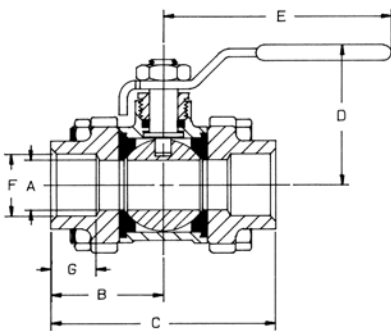
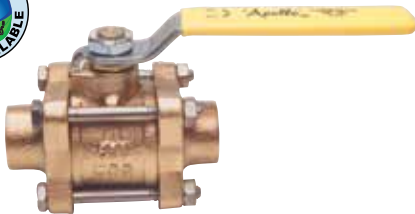
This inline-repairable threaded ball valve offers RPTFE seats and seals and a 600 CWP, non-shock rating.

#### FEATURES

- ASTM B584 Bronze body and ends
- SAE Grade 8 body bolts
- Adjustable packing nut
- Full port flow
- 600 CWP, 150 SWP
- Numerous options available
- 82-14X with SS ball and stem option
- **Lead Free** option (82LF)
  - NSF/ANSI 61-G and NSF/ANSI 372 Lead Free
  - Easily Identifiable White Handle Grip and Blue "Lead Free" Hang Tag

Model Number	LF Model Number	Size (in.)	Dimensions (in.)				
			A	B	C	D	E
82-101-01	82LF-101-01	1/4	0.43	1.28	2.56	1.81	3.87
82-102-01	82LF-102-01	3/8	0.50	1.28	2.56	1.81	3.87
82-103-01	82LF-103-01	1/2	0.62	1.40	2.81	1.93	4.87
82-104-01	82LF-104-01	3/4	0.81	1.71	3.43	2.18	4.87
82-105-01	82LF-105-01	1	1.00	1.93	3.87	2.62	5.50
82-106-01	82LF-106-01	1-1/4	1.25	2.37	4.75	2.87	5.50
82-107-01	82LF-107-01	1-1/2	1.50	2.62	5.25	3.37	8.00
82-108-01	82LF-108-01	2	2.00	3.01	6.03	3.68	8.00
82-109-01	82LF-109-01	2-1/2	2.50	3.62	7.25	5.14	9.75
82A-140-01	-	3	3.00	4.18	8.37	8.10	19.13
82A-14A-01	-	4	4.00	5.43	10.86	8.88	19.13

### 82-200 SERIES



### FULL PORT BRONZE THREE-PIECE SOLDER/BRAZED END VALVE

Valve features full port and is easily repaired inline. Designed for soft soldering or brazed\* installation. Includes RPTFE seats and seals.

#### FEATURES

- ASTM B584 Bronze
- SAE Grade 8 body bolts
- 600 CWP, non-shock
- 150 SWP steam rating
- 82-24X with SS ball and stem option
- **Lead Free** option (82LF) featuring EZ-Solder™ Lead Free Bronze
  - NSF/ANSI 61-G and NSF/ANSI 372 Lead Free
  - Easily Identifiable White Handle Grip and Blue "Lead Free" Hang Tag

Model Number	LF Model Number	Size (in.)	Dimensions (in.)						
			A	B	C	D	E	F	G
82-202-01	82LF-202-01	3/8	0.50	1.28	2.56	1.81	3.87	0.50	0.37
82-203-01	82LF-203-01	1/2	0.62	1.40	2.81	1.93	4.87	0.63	0.50
82-204-01	82LF-204-01	3/4	0.81	1.71	3.43	2.18	4.87	0.88	0.75
82-205-01	82LF-205-01	1	1.00	1.93	3.87	2.62	5.50	1.13	0.90
82-206-01	82LF-206-01	1-1/4	1.25	2.37	4.75	2.87	5.50	1.38	0.96
82-207-01	82LF-207-01	1-1/2	1.50	2.60	5.25	3.37	8.00	1.63	1.09
82-208-01	82LF-208-01	2	2.00	3.01	6.03	3.68	8.00	2.13	1.34
82-209-01	82LF-209-01	2-1/2	2.50	3.62	7.25	5.14	9.38	2.63	1.47
82A-240-01	-	3	3.00	4.18	8.37	8.10	19.13	3.13	1.66
82A-24A-01	-	4	4.00	5.43	10.86	8.88	19.13	4.13	2.16

\* Model 82LF suitable for soft soldering only.

www.apollovalves.com

Customer Service (704) 841-6000

