



PROCESS GAUGES

SOLFRUNT® 4-1/2" Model 1986 Gauges with MONEL Internals

DESCRIPTION

The Model 1986 4-1/2" SOLFRUNT process gauge has a MONEL Bourdon tube and socket. The Model 1986 gauge is typically used for HF service (hydrofluoric acid) during the alkylation process at a refinery. This gauge has a black glass reinforced thermoplastic (PBTB) turret style case for chemical and petrochemical processing applications. This model comes with an E-Z Fill field fillable case standard. No extra parts are needed to make this gauge a liquid filled unit.

The Model 1986 4-1/2" gauges are supplied in 21 vacuum, compound, and pressure ranges from 30" Hg vacuum through 10000 psi. Standard dials are single scale psi, but this gauge can be ordered with custom dials.

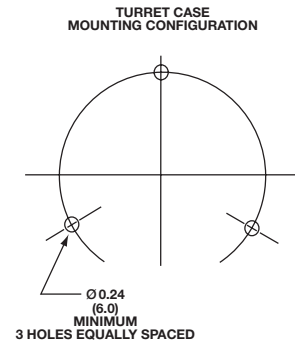
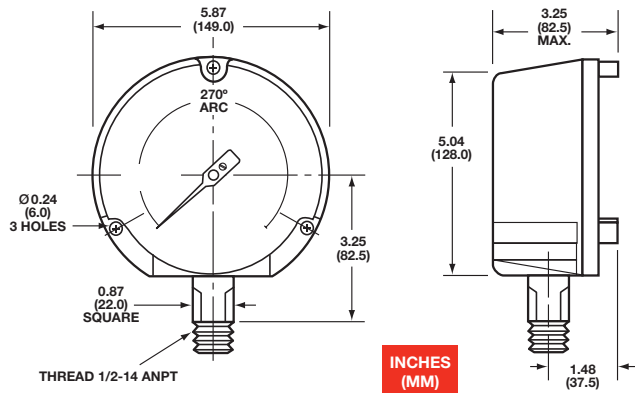
Please contact customer service at +1 215-293-4100 for more information.

SPECIFICATIONS

- SIZES:** 4-1/2"
- ACCURACY:** ±0.5% of span (Grade 2A)
- BOURDON TUBE:** K MONEL, MONEL/micro-brazed
- WINDOW:** Polycarbonate
- MOVEMENT:** Aluminum alloy
- DIAL:** Aluminum with baked white background and black markings
- POINTER:** Aluminum, micro-adjustable with black finish
- CASE AND RING:**
For Stem or Wall Mounting:
PET turret case (black) with glass reinforced thermoplastic, threaded ring and pressure-relieving back (optional yellow case available, add YEL to end of spec number)
- CONNECTION:** MONEL, 1/2-14 ANPT standard (1/4-18 ANPT, optional)



SOLFRUNT Model 1986





PROCESS GAUGES

SOLFRUNT® 4-1/2” Model 1986 Gauges with MONEL Internals

Spec Number Selection Chart

Model Number	1986	1986
Bourdon Tube	K MONEL	K MONEL
Socket	MONEL	MONEL
Sizes	4-1/2”	4-1/2”
Connections	1/2” NPT	1/4” NPT
Ranges*	Spec No.	Spec No.
0-30” Hg VAC	170060K	175060K
30”-0-15 psi	170061K	175061K
30”-0-30 psi	170062K	175062K
30”-0-60 psi	170063K	175063K
30”-0-100 psi	170064K	175064K
30”-0-150 psi	170065K	175065K
30”-0-300 psi	270449K	275449K
0-15 psi	170066K	175066K
0-30 psi	170067K	175067K
0-60 psi	170068K	175068K
0-100 psi	170069K	175069K
0-160 psi	170070K	175070K
0-200 psi	170071K	175071K
0-300 psi	170072K	175072K
0-400 psi	170073K	175073K
0-600 psi	170074K	175074K
0-1000 psi	170075K	175075K
0-2000 psi	170529K	175529K
0-3000 psi	170530K	175530K
0-5000 psi	170531K	175531K
0-10000 psi	170532K	175532K

NOTE: This table is not intended to be all inclusive of all possible configurations

* Metric and dual scale dials are available on all 1900 Series gauges. Please reference Metric and Dual Scale Dial part numbers in this section.

For yellow case option, please add YEL to the end of spec numbers above

For factory liquid filling please add LG for Glycerin or LS for Silicone to the end of the spec numbers above, for example 170060KLG