



PROCESS GAUGES

SOLFRUNT® 4-1/2" Model 1981 and Model 1981 *Advantage* with Dampened Movement

DESCRIPTION

The Model 1981 and 1981 *Advantage* 4-1/2" process gauges have all 316L stainless steel wetted surfaces with a seamless Bourdon tube. The 1981 *Advantage* includes a dampened movement option to provide users with some of the benefits of liquid filling. These gauges have a PET turret style case for chemical and petrochemical processing applications. The PET material gives this case superior impact strength and a broad spectrum of chemical resistance. They are available dry, with a dampened movement, or liquid filled from the factory. Your local stocking distributor can provide a liquid fill kit, or the E-Z Fill design to facilitate filling in the field without special tools.

The Model 1981 and 1981 *Advantage* 4-1/2" SOLFRUNT gauges are supplied in 26 vacuum, compound, and pressure ranges from 30" Hg vacuum through 11600 psi. The low-connected PET turret case can be easily liquid filled in the field using the appropriate conversion kit.

Span adjustments can be accomplished from rear of case without disturbing the gauge internals. Pointer adjustments are easily made by removing ring and window, and using the adjustment screw on the micro-adjustable pointer.

SPECIFICATIONS

SIZES: 4-1/2"

ACCURACY: ±0.5% of span (Grade 2A), except where seamless stainless steel bourdon tubes are used in following ranges: Type 316L from 10000 to 11600 psi; accuracy is ±0.5% on ascending pressure and ±1.0% on descending pressure

BOURDON TUBE: 316L seamless stainless steel/TIG welded

WINDOW: High temperature acrylic, laminated shatter-resistant glass options available (G038312)

MOVEMENT: Geared movement with components of corrosion-resistant 300 series stainless steel; optional dampened movement available on *Advantage* unit

DIAL: Aluminum with baked white background and black markings (dual scale and custom dials available)

POINTER: Anodized aluminum, micro-adjustable with black finish (optional lazy hand, 132371 for dry gauges only)

CASE AND RING:

For Stem or Wall Mounting:

PET turret case (black) with glass-filled polypropylene threaded ring and pressure-relieving back, EZ Fill option available

CONNECTION: 316L stainless steel, 1/2-14 ANPT standard (1/4-18 ANPT, optional)

LIQUID FILLING: The Model 1981 is also available in liquid filled or field fillable (E-Z Fill) configurations. Please reference the Spec Number Selection Chart in this section.



SOLFRUNT Model 1981



SOLFRUNT Model 1981 Advantage with dampened movement



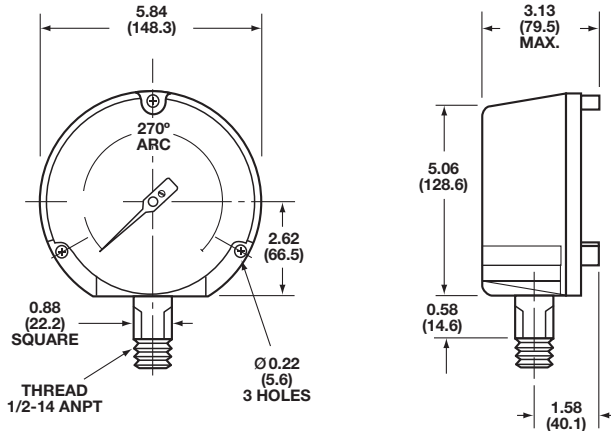
On-line order fax: +1 215-323-9450 or e-mail: usg.sales@ametek.com
Sales/Technical Support: +1 215-293-4100 | 205 Keith Valley Road | Horsham PA 19044 U.S.A.



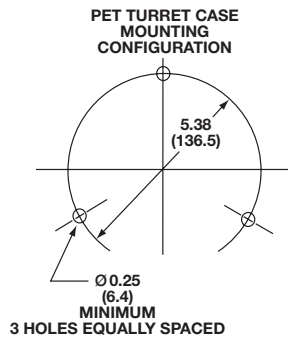


PROCESS GAUGES

SOLFRUNT® 4-1/2" Model 1981 and Model 1981 *Advantage* with Dampened Movement



**INCHES
(MM)**



Spec Number Selection Chart

Model Number	1981 <i>Advantage</i> ⁺	1981 ⁺
Bourdon Tube	316L Stainless Steel	316L Stainless Steel
Socket	316L Stainless Steel	316L Stainless Steel
Movement	Dampened	Standard
Sizes	4-1/2"	4-1/2"
Ranges*	Spec No.	Spec No.
0-30" Hg VAC	150016DM	150016
30"-0-15 psi	150017DM	150017
30"-0-30 psi	150018DM	150018
30"-0-60 psi	150019DM	150019
30"-0-100 psi	150020DM	150020
30"-0-150 psi	150021DM	150021
0-15 psi	150022DM	150022
0-30 psi	150023DM	150023
0-60 psi	150024DM	150024
0-100 psi	150025DM	150025
0-160 psi	150026DM	150026
0-200 psi	150027DM	150027
0-300 psi	150028DM	150028
0-400 psi	150029DM	150029
0-600 psi	150030DM	150030
0-800 psi	150031DM	150031
0-1000 psi	150032DM	150032
0-1500 psi	150033DM	150033
0-2000 psi	150523DM	150523
0-2300 psi	150034DM	150034
0-3000 psi	150509DM	150509
0-3500 psi	150035DM	150035
0-5000 psi	150510DM	150510
0-6000 psi	150036DM	150036
0-10000 psi	150524DM	150524
0-11600 psi	150037DM	150037

Spare Parts

Part	Description	Part No.
Panel Mount Kit	Panel Mount Kit for Flush Mounting 1981, 1980 and 1929	047631

* Metric and dual scale dials are available on all 1900 Series gauges
⁺ When ordering E-Z Fill option – use 170XXX (for 1/2-14 ANPT); use 175XXX (for 1/4-18 ANPT)
 1/4-18 ANPT available – use 155XXX when ordering