

ELECTRIC PUMPS

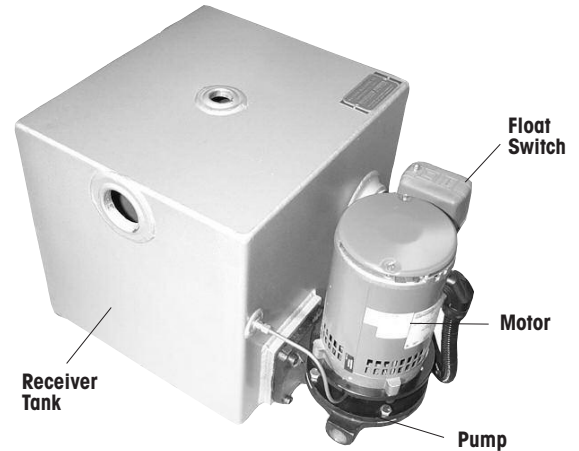
W4100 & W4200

Electric Condensate Pump

Watson McDaniel reserves the right to change the designs and/or materials of its products without notice.
©2010 Watson McDaniel Company

Model	W4100	W4200
Tank Sizes	8/15/30/45/60/95 Gal.	6/15/24/36/50 Gal.
Connections	NPT	NPT
Tank Material	Fabricated Carbon Steel	Cast Iron
Max Disch. Press.	50 PSIG *	50 PSIG *
TMO/TMA	190°F	190°F
Options	Mechanical & electrical alternators; gauge glass; thermometer; discharge pressure gauges; isolation valves; magnetic starters; 1750 RPM motors; control panels; oversized or stainless steel receivers; high temperature components	

* Optional higher ratings available.



TYPICAL APPLICATIONS

The primary purpose of the **W4100** and **W4200** electric condensate pumps are to return condensate back to the boiler. Pumping condensate over 190°F is not recommended with these pumps due to potential mechanical seal failure.

HOW IT WORKS

The float, which is connected to the switch assembly rises when condensate enters the receiver tank. When the float rises above its set point, it energizes the motor on the pump. Once started, the pump will continue to run until the water level drops below the bottom position of the float switch. There it will de-energize the motor to shut off the pump. This cycle repeats as condensate begins to fill the receiver tank.

FEATURES

- Fabricated steel receivers (W4100) or cast iron receivers (W4200)
- Simplex and duplex packages
- Bronze-fitted centrifugal pumps
- Energy-efficient 3450 RPM motors
- Automatic venting
- Ceramic pump seal
- Heavy-duty float switch
- All steel receivers, and iron receivers over 24 gallons include a threaded NPT overflow port

SAMPLE SPECIFICATION

Pump(s) shall be of the centrifugal type with two-piece enclosed brass impeller, cast iron housing and stainless steel motor shaft. The float switch shall be two-pole with plastic case, stainless steel float and shafting, and double-break silver contacts. A flat perforated brass strainer shall be provided in the inlet of the pump from the tank.

INSTALLATION

Place on an elevated, level and substantial foundation in a clean, dry and accessible area. Locate receiver tank inlet below lowest point of the condensate return lines.

MAINTENANCE

At regular intervals, check the motor lubrication, unless the motor is equipped with a permanently lubricated bearing.

OPTIONS

- Mechanical and electrical alternators
- Gauge glass
- Thermometer
- Discharge pressure gauges
- Isolation valves
- Magnetic starters with HOA selector switch
- 1750 RPM motors, larger pumping capacities & higher discharge pressures
- Wide variety of control panels
- Oversized receivers (45, 60 & 95 gallons)
- Stainless Steel receivers
- High Temperature (250°F) Components

HOW TO ORDER

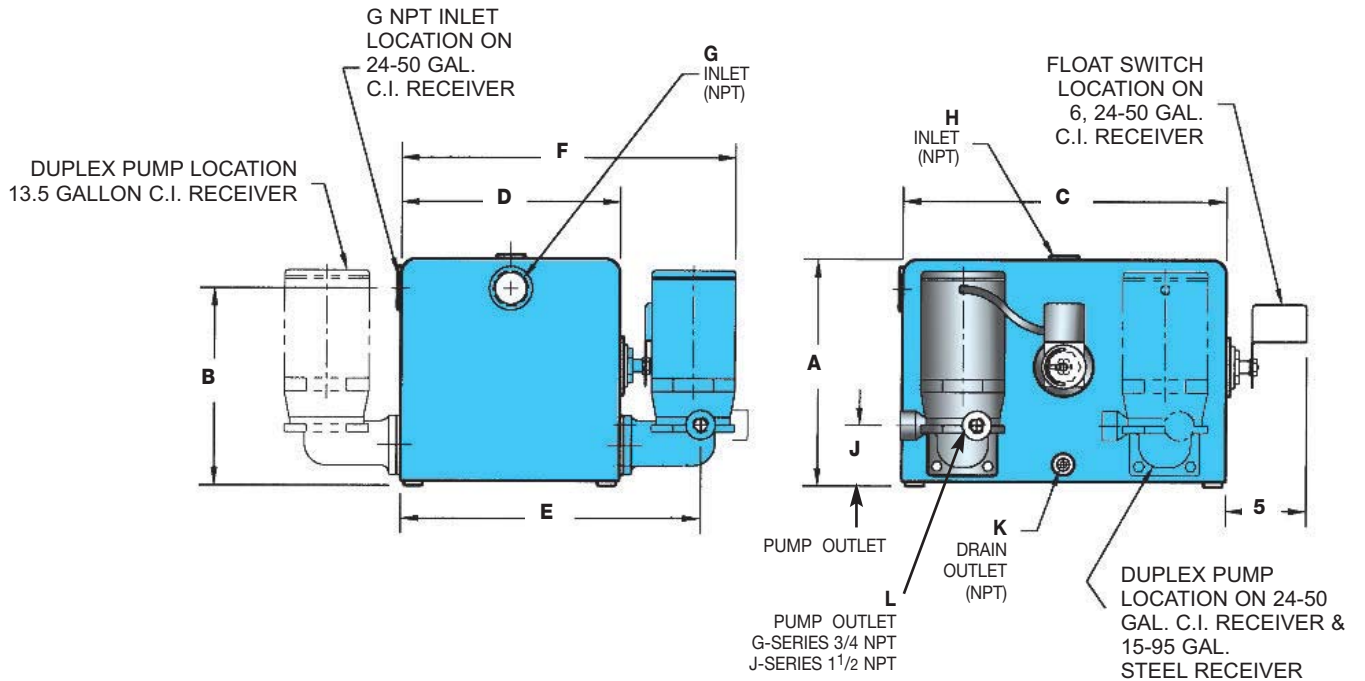
Specify the discharge pressure, gallons per minute and voltage requirements when ordering.

ELECTRIC PUMPS

W4100 & W4200

Electric Condensate Pump

PUMPS



W4100 (Steel Receiver) Dimensions – inches

Series	Receiver Size	A	B	C	D	E	F	G	H	J	K	L
G	8 gallon	12 ³ / ₄	10 ¹ / ₂	12 ¹ / ₂	12 ¹ / ₂	18	21 ¹ / ₂	2	1 1/2	4 1/8	1/2	3/4
	15 gallon	14 ³ / ₈	12 ³ / ₈	17	15	20 ¹ / ₂	23 ¹ / ₄	2				
	30 gallon	18 ³ / ₈	16 ¹ / ₈	22	18	23 ¹ / ₂	28	2 1/2				
J	45 gallon	26 ³ / ₈	24 ¹ / ₈	22	18	---	29 ⁵ / ₁₆	2 1/2	1	3 1/4	1/2	1 1/2
	60 gallon	28 ³ / ₈	26 ¹ / ₈	28	18	---	29 ⁵ / ₁₆	2 1/2				
	95 gallon	28 ³ / ₈	26 ¹ / ₈	28	28	---	39 ⁵ / ₁₆	2 1/2				

W4200 (Cast Iron Receiver) Dimensions – inches

Series	Receiver Size	A	B	C	D	E	F	G	H	J	K	L
G	6 gallon	4 ¹ / ₂	12 ¹ / ₂	14 ¹ / ₂	12 ⁵ / ₈	18 ¹ / ₄	20 ⁷ / ₁₆	2	3/4	4 ³ / ₃₂	3/4	3/4
	15 gallon	14 ⁷ / ₈	13 ¹ / ₈	18 ¹ / ₂	13 ¹ / ₂	19 ¹ / ₈	24	2	1	3 ³ / ₄	1/2	3/4
	24 gallon	19 ¹ / ₈	15 ⁵ / ₈	25 ⁷ / ₈	15	20 ¹ / ₃₂	22 ¹³ / ₁₆	2	1	4 ¹ / ₈	3/4	3/4
	36 gallon	18 ⁵ / ₈	15 ¹ / ₈	27 ²¹ / ₆₄	22 ¹ / ₂	27 ¹⁷ / ₃₂	31 ³ / ₄	3	1	4 ¹ / ₈	3/4	3/4
J	36 gallon	18 ⁵ / ₈	15 ¹ / ₈	27 ²¹ / ₆₄	22 ¹ / ₂	---	35 ³ / ₈	3	1	4 ³ / ₈	3/4	1 1/2
	50 gallon	18 ⁵ / ₈	15 ¹ / ₈	27 ²¹ / ₆₄	31	---	43 ⁷ / ₈	3	1	4 ³ / ₈	3/4	1 1/2

ELECTRIC PUMPS

W4100

Watson McDaniel reserves the right to change the designs and/or materials of its products without notice.
©2010 Watson McDaniel Company

Electric Condensate Pump with Steel Receiver

PUMPS

CAPACITIES								
EDR	Discharge Pressure (PSIG)	Flow Rate (GPM)	Motor HP	Receiver Capacity (gallons)	Simplex Model #	Weight (lbs)	Duplex Model #	Weight (lbs)
8000	20	12	1/3	8	W4028G	90	N/A	N/A
2000	20	3	1/3	15	W4122G	125	W4122GD	185
4000	20	6	1/3	15	W4124G	125	W4124GD	185
6000	20	9	1/3	15	W4126G	125	W4126GD	185
8000	20	12	1/3	15	W4128G	125	W4128GD	185
10000	20	15	1/2	30	W41210G	190	W41210GD	240
15000	20	22.5	1/2	30	W41215G	190	W41215GD	240
20000	20	30	3/4	30	W41220G	200	W41220GD	250
25000	20	37.5	3/4	45	W41225J	285	W41225JD	350
30000	20	45	1	45	W41230J	285	W41230JD	350
40000	20	60	1 1/2	60	W41240J	335	W41240JD	405
50000	20	75	2	95	W41250J	385	W41250JD	460
2000	30	3	1/2	15	W4132J	180	W4132JD	250
4000	30	6	1/2	15	W4134J	180	W4134JD	250
6000	30	9	1/2	15	W4136J	180	W4136JD	250
8000	30	12	1/2	15	W4138J	180	W4138JD	250
10000	30	15	3/4	15	W41310J	185	W41310JD	250
15000	30	22.5	1	30	W41315J	230	W41315JD	300
20000	30	30	1	30	W41320J	230	W41320JD	300
25000	30	37.5	1	45	W41325J	285	W41325JD	350
30000	30	45	1 1/2	45	W41330J	290	W41330JD	355
40000	30	60	2	60	W41340J	340	W41340JD	410
50000	30	75	3	95	W41350J	395	W41350JD	470
2000	40	3	1	15	W4142J	190	W4142JD	270
4000	40	6	1	15	W4144J	190	W4144JD	270
6000	40	9	1	15	W4146J	190	W4146JD	270
8000	40	12	1	15	W4148J	190	W4148JD	270
10000	40	15	1	15	W41410J	190	W41410JD	270
15000	40	22.5	1 1/2	30	W41415J	240	W41415JD	310
20000	40	30	1 1/2	30	W41420J	240	W41420JD	310
25000	40	37.5	1 1/2	45	W41425J	290	W41425JD	355
30000	40	45	2	45	W41430J	295	W41430JD	360
40000	40	60	2	60	W41440J	240	W41440JD	410
50000	40	75	3	95	W41450J	395	W41450JD	470
2000	50	3	2	15	W4152J	195	W4152JD	275
4000	50	6	2	15	W4154J	195	W4154JD	275
6000	50	9	2	15	W4156J	195	W4156JD	275
8000	50	12	2	15	W4158J	195	W4158JD	275
10000	50	15	2	15	W41510J	195	W41510JD	275
15000	50	22.5	2	30	W41515J	245	W41515JD	320
20000	50	30	3	30	W41520J	255	W41520JD	330
25000	50	37.5	3	45	W41525J	305	W41525JD	385
30000	50	45	3	45	W41530J	305	W41530JD	385
40000	50	60	5	60	W41540J	370	W41540JD	500
50000	50	75	5	95	W41550J	430	W41550JD	500

Notes: 1) EDR = Square Feet of Equivalent Direct Radiation
2) Capacity of Steam (lbs/hr) = EDR x 0.25

ELECTRIC PUMPS

W4200

Electric Condensate Pump with Cast Iron Receiver

PUMPS

CAPACITIES

EDR	Discharge Pressure (PSIG)	Flow Rate (GPM)	Motor HP	Receiver Capacity (gallons)	Simplex Model #	Weight (lbs)	Duplex Model #	Weight (lbs)
2000	20	3	1/3	6	W4222G	150	N/A	N/A
4000	20	6	1/3	6	W4224G	150	N/A	N/A
6000	20	9	1/3	15	W4226G	260	W4226GD	295
8000	20	12	1/3	15	W4228G	260	W4228GD	295
10000	20	15	1/2	15	W42210G	260	W42210GD	295
15000	20	22.5	1/2	24	W42215G	300	W42215GD	335
20000	20	30	3/4	36	W42220G	410	W42220GD	445
25000	20	37.5	3/4	36	W42225J	350	W42225JD	420
30000	20	45	1	36	W42230J	355	W42230JD	430
40000	20	60	1 1/2	50	W42240J	420	W42240JD	500
50000	20	75	2	50	W42250J	425	W42250JD	510
2000	30	3	1/2	6	W4232J	165	N/A	N/A
4000	30	6	1/2	6	W4234J	165	N/A	N/A
6000	30	9	1/2	15	W4236J	295	W4236JD	360
8000	30	12	1/2	15	W4238J	295	W4238JD	360
10000	30	15	3/4	15	W42310J	300	W42310JD	365
15000	30	22.5	1	24	W42315J	305	W42315JD	380
20000	30	30	1	36	W42320J	355	W42320JD	430
25000	30	37.5	1	36	W42325J	355	W42325JD	430
30000	30	45	1 1/2	36	W42330J	360	W42330JD	440
40000	30	60	2	50	W42340J	425	W42340JD	510
50000	30	75	3	50	W42350J	435	W42350JD	525
2000	40	3	1	6	W4242J	170	N/A	N/A
4000	40	6	1	6	W4244J	170	N/A	N/A
6000	40	9	1	15	W4246J	295	W4246JD	360
8000	40	12	1	15	W4248J	295	W4248JD	360
10000	40	15	1	15	W42410J	295	W42410JD	360
15000	40	22.5	1 1/2	24	W42415J	310	W42415JD	390
20000	40	30	1 1/2	36	W42420J	360	W42420JD	440
25000	40	37.5	1 1/2	36	W42425J	360	W42425JD	440
30000	40	45	2	36	W42430J	365	W42430JD	450
40000	40	60	2	50	W42440J	425	W42440JD	510
50000	40	75	3	50	W42450J	435	W42450JD	525
2000	50	3	2	6	W4252J	175	N/A	N/A
4000	50	6	2	6	W4254J	175	N/A	N/A
6000	50	9	2	15	W4256J	315	W4256JD	395
8000	50	12	2	15	W4258J	315	W4258JD	395
10000	50	15	2	15	W42510J	315	W42510JD	395
15000	50	22.5	2	24	W42515J	330	W42515JD	415
20000	50	30	3	36	W42520J	370	W42520JD	460
25000	50	37.5	3	36	W42525J	370	W42525JD	460
30000	50	45	3	36	W42530J	370	W42530JD	460
40000	50	60	5	50	W42540J	445	W42540JD	535
50000	50	75	5	50	W42550J	445	W42550JD	535

Notes: 1) EDR = Square Feet of Equivalent Direct Radiation

2) Capacity of Steam (lbs/hr) = EDR x 0.25