

FDA800

Thermodynamic Clean Steam Trap

Model	FDA800
Sizes	1/2"
Connections	Tri-Clamp, NPT, Tube Weld
Body Material	Stainless Steel
PMO Max. Operating Pressure	150 PSIG
TMO Max. Operating Temperature	500°F
PMA Max. Allowable Pressure	230 PSIG @ 850°F
TMA Max. Allowable Temperature	850°F @ 230 PSIG



NPT



Tri-Clamp

TYPICAL APPLICATIONS

DRIP, PROCESS: The **FDA800 Series** Thermodynamic Clean Steam Traps are used in sanitary systems as drip traps on steam mains as well as for drainage on various process vessels such as separators and filters.

HOW IT WORKS

The thermodynamic trap has a cyclic on/off operation with a disc that is pushed open when condensate is present and pulled closed when steam tries to escape.

FEATURES

- Small and compact
- All 316L stainless steel components
- Works in any position (horizontal preferred)

SAMPLE SPECIFICATION

The steam trap shall be a thermodynamic disc type with an all 316L stainless steel construction and integral seat design. Unit shall be capable of installation in any orientation and self-draining when mounted vertically.

INSTALLATION

The trap can be installed in any position; however, horizontal is preferred. For self-draining or freezeproof requirements, the trap may be installed vertically. Installation should include a strainer and isolation valves for maintenance purposes.

MAINTENANCE

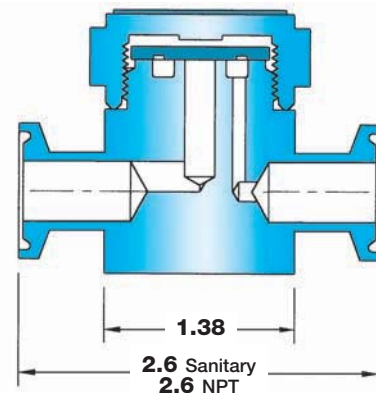
Dirt is the most common cause of premature failure. Therefore, the upstream strainer should be periodically cleaned. For full maintenance details see Installation and Maintenance Manual.

MATERIALS

Body	Stainless Steel, AISI 316L
Disc	Stainless Steel, AISI 316L
Cap	Stainless Steel, AISI 316L

HOW TO SIZE/ORDER

Size/Model: 1/2" **FDA800**, Specify connections.



Units: Inches

CAPACITIES – Condensate (lbs/hr)

Size	Differential Pressure (PSI)											
	3.5	5	10	15	20	25	30	40	50	75	100	150
1/2"	180	185	190	195	200	215	220	230	250	310	375	500

Note: Maximum back pressure not to exceed 80% of inlet pressure.