



**TEST GAUGES**

# SOLFRUNT® 6" Models 1403 and 1404 Test Gauges

**DESCRIPTION**

Series 1400 6" SOLFRUNT test gauges are used in instrument shops, laboratories and other critical applications, where a high degree of accuracy is required and operator error must be minimized. Panel or stem mounted, these gauges offer the same accuracy ( $\pm 0.25\%$  accuracy – Grade 3A), case, dial, and calibration features as the 4-1/2" series, except with better readability because of increased length of graduated arc, or larger size. Metric ranges are available upon request.

**6" Model 1403**



**6" Model 1404**

**SPECIFICATIONS**

- SIZES:** 6"
- ACCURACY:**  $\pm 0.25\%$  of span (Grade 3A)
- BOURDON TUBE:** Silver brazed; *Phosphor bronze*: 30" Hg VAC through 60 psi; *Beryllium copper*: 100 through 5000 psi
- WINDOW:** Molded acrylic with gasket
- MOVEMENT:** Geared ARC-LOC with parts of phosphor bronze and stainless steel to minimize friction and wear
- DIAL:** White coated aluminum with black markings and mirrored edge
- POINTER:** Knife-edged, black, adjustable
- CASE:** SOLFRUNT, cast aluminum, black finish with BUNA-N pressure relieving back; *1403*: Front flanged for panel mounting; *1404*: Flangeless for stem mounting
- RING:** *1403*: Steel hinged, black finish; *1404*: Aluminum, threaded, black finish
- CONNECTION:** 1/2-14 ANPT standard (1/4-18 ANPT optional), brass

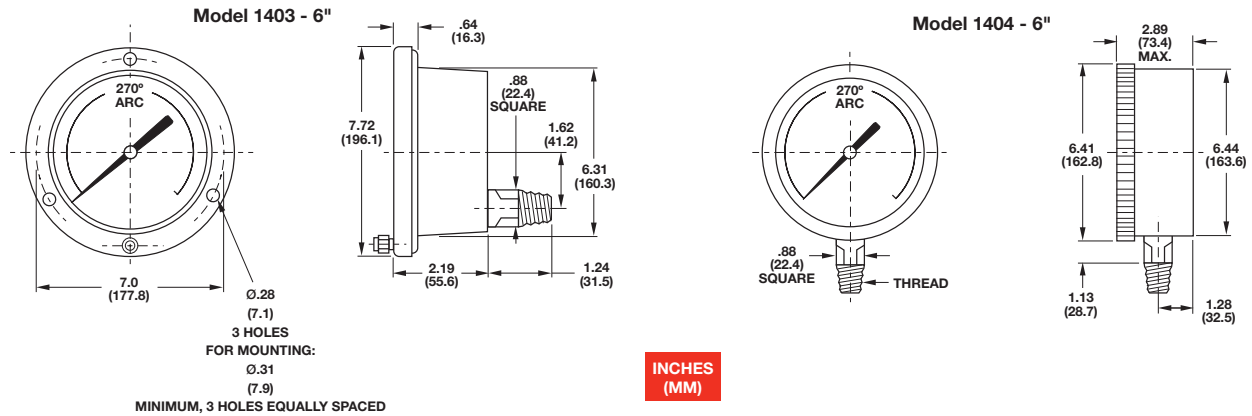
**Standard Ranges**

Maximum Indication	Figure Intervals	Smallest Intervals
30" Hg VAC	2" Hg VAC	0.1" Hg VAC
15 psi	1	0.05
30 psi	2	0.1
60 psi	5	0.2
100 psi	5	0.5
160 psi	10	1
200 psi	10	1
300 psi	20	1
600 psi	50	2
1000 psi	50	5
1500 psi	100	5
2000 psi	100	10
3000 psi	200	10
5000 psi	200	20



**TEST GAUGES**

# SOLFRUNT® 6" Models 1403 and 1404 Test Gauges



Spec Number Selection Chart		
Test Gauges	Model No. 1403 1/2-14 ANPT, Lower-Back Mount*	Model No. 1404 1/2-14 ANPT, Lower Mount*
<b>Bourdon Tube</b>	Phosphor Bronze (30" Hg VAC through 60 psi) Beryllium Copper (100 psi through 5000 psi)	Phosphor Bronze (30" Hg VAC through 60 psi) Beryllium Copper (100 psi through 5000 psi)
<b>Connection</b>	Brass	Brass
<b>Sizes</b>	6"	6"
<b>Ranges</b>	<b>Spec No.</b>	<b>Spec No.</b>
0-30" Hg	132592	132577
0-15 psi	132593	132578
0-30 psi	132594	132579
0-60 psi	132595	132580
0-100 psi	132596	132581
0-160 psi	132597	132582
0-200 psi	132598	132583
0-300 psi	132599	132584
0-400 psi	132600	132585
0-600 psi	132601	132586
0-1000 psi	132602	132587
0-1500 psi	132603	132588
0-2000 psi	132604	132589
0-3000 psi	132605	132590
0-5000 psi	132606	132591

\* 1/4-18 ANPT available – use 133XXX when ordering