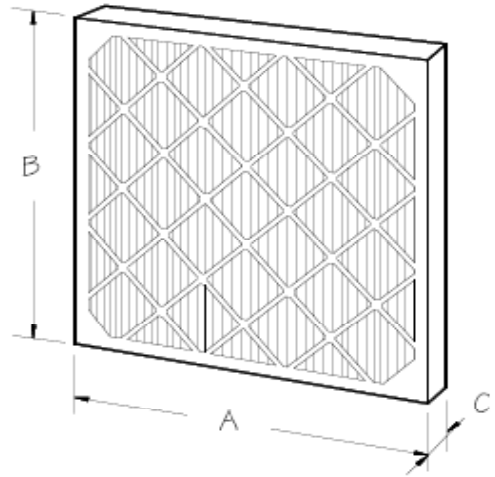


Clean air...it's what we do



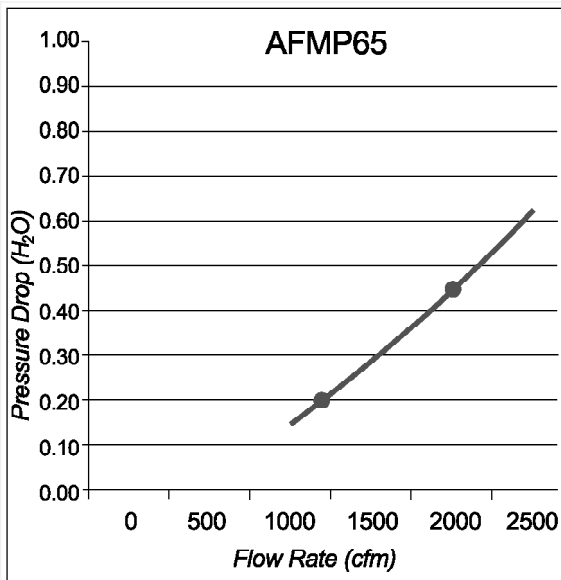
Specifications

Frame: 100% polypropylene plastic board.
 Media: 100% polypropylene fibers, water and bacteria
 Media is spaced and supported with beads of polypropylene polymer.
 Media bonded to frame using polypropylene adhesive.
 Efficiency: 60-65% per ASHRAE 52.1; MERV 11 per ASHRAE 52.2
 UL 900: Class 2

Mini Pleat - 2" Nominal Depth, 60%-65%, MERV 11

Model Number	Width "A"	Height "B"	Depth "C"
AFMP65-24242-**	23-3/8"	23-3/8"	1-7/8"
AFMP65-20252-**	19-1/2"	24-1/2"	1-7/8"
AFMP65-20242-**	19-1/2"	23-3/8"	1-7/8"
AFMP65-20202-**	19-1/2"	19-1/2"	1-7/8"
AFMP65-16252-**	15-1/2"	24-1/2"	1-7/8"
AFMP65-16202-**	15-1/2"	19-1/2"	1-7/8"
AFMP65-12242-**	11-3/8"	23-3/8"	1-7/8"

**Insert DF for die cut frame or PF for polypropylene frame



PO Box 2205 Ph: 919-718-5818
 Sanford, NC 27331 Fax: 919-718-5819
 info@airscrubbersinc.com

**Mini Pleat, 2" Nominal Depth
 60%-65% MERV 11-12**

Date 01/02/10

Model

Revision

AFMP65-2