



## 2016 Home2 Product Brochure

The Home2 Series is a premium grade electric/motorized front projection screen. It has an elegant enamel coating and its white aluminum housing is rust resistant.



# Home2 Series

The Home2 Series is a premium grade electric/motorized front projection screen. It has an elegant enamel coating and its white aluminum housing is rust resistant.

Scan for product



video



## Screen Material:

- MaxWhite Fiber-Glass 1.1 Gain Screen Material is flat, durable and easy to clean
- 180° wide-viewing angle for commercial and residential presentations
- Black masking enhances picture contrast
- 4 side black masking border to enhance contrast ratio and avoid overscan from projector

## Casing and Installation:

- Aluminum Case Enclosure with enamel coating is moisture resistant.
- Floating brackets are made for easy alignment for a wall or ceiling installation
- Ships fully assembled with 3-prong power connection ready to Plug & Play

## Flatness Treatment & Motor System:

- Fiberglass-backed material has added flatness
- Tubular motor allows swift operation with a superior weight tolerance and operational lifespan

## Control System:

- Infrared & Radio Frequency remote controls and wall switch
- Internal IR/RF low voltage receivers
- 5-12 volt trigger synchronizes with projector
- Optional In-wall up/down switch and wireless 5-12V controls available

## Quality and Reliability:

- Standard 2-year parts and labor warranty
- 3-year warranty for ENR-G (Educational, Non-profit, Religious or Government/Military) - US only
- ETL, FCC, CE, CB GOSTCE & ISO9001:2008 Certified

## Certified

- GREENGUARD® and GREENGUARD® Gold Certified | UL 2818



A Built-In Infrared and Radio Frequency Receiver streamlines your wall/ceiling installation.

Internal-In Low Voltage Controller (LVC) with RJ45 port connects the 5-12 volt trigger to synchronize the drop/rise cycle of your screen with the projector's power cycle. Extend this port using CAT-5 cable to anywhere in the room. An in-line wall switch is included for additional control.

Home2 Series

Model	Screen Diag. & Aspect Ratio	View Height (in)	View Width (in)	View Height (cm)	View Width (cm)	N.W. (lbs.)	G.W. (lbs.)	N.W. (kgs)	G.W. (Kgs)	Packaging Dimensions (LxHxW)	Gain	Screen Material
Home90I WV2	90"(4:3)	54.0	72.0	137.2	182.9	28.7	41.0	13.1	18.6	103.8"x7"x8"	1.1	MaxWhite-FG
Home100I WV2	100"(4:3)	60.0	80.0	152.4	203.2	35.6	46.8	16.2	21.3	121.7"x7"x8"	1.1	MaxWhite-FG
Home120I WV2	120"(4:3)	72.0	96.0	182.9	243.8	37.5	49.2	17.1	22.4	121.7"x7"x8"	1.1	MaxWhite-FG
Home135I WV2	135"(4:3)	81.0	108.0	205.7	274.3	41.9	57.3	19.0	26.1	134.6"x7"x8"	1.1	MaxWhite-FG
Home75I WH2	75"(16:9)	36.8	65.4	93.5	166.1	41.9	57.3	19.0	26.1	134.6"x7"x8"	1.1	MaxWhite-FG
Home75I WH2-E30	75"(16:9)	36.8	65.4	93.5	166.1	45.2	62.8	20.5	28.5	148"x7"x8"	1.1	MaxWhite-FG
Home90I WH2	90"(16:9)	44.1	78.4	112.0	199.1	45.2	62.8	20.5	28.5	148"x7"x8"	1.1	MaxWhite-FG
Home90I WH2-E30	90"(16:9)	44.1	78.4	112.0	199.1	24.3	35.9	11.1	16.3	87.8" x7" x8"	1.1	MaxWhite-FG
Home100I WH2	100"(16:9)	49.1	87.2	124.7	221.5	29.5	41.9	13.4	19.1	101.46" x7" x8"	1.1	MaxWhite-FG
Home100I WH2-E24	100"(16:9)	49.1	87.2	124.7	221.5	37.5	51.6	17.1	23.5	112.3" x7" x8"	1.1	MaxWhite-FG
Home120I WH2-E24	120"(16:9)	58.9	104.6	149.6	265.7	62.4	86.4	28.4	39.3	161.5" x7.5" x 9.5"	1.1	MaxWhite-FG
Home135I WH2	135"(16:9)	66.2	117.7	168.1	299.0	23.8	35.3	10.8	16.1	87.8"x7"x8"	1.1	MaxWhite-FG
Home135I WH2-E24	135"(16:9)	66.2	117.7	168.1	299.0	26.0	38.7	11.8	17.6	96.8"x7"x8"	1.1	MaxWhite-FG



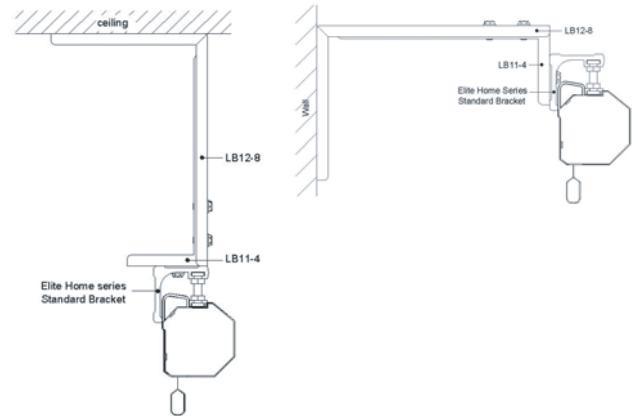
Home2 Series screens come with side/bottom masking and adjustable 2"-6" top masking borders with 24"-30" extended drop models available.



Sliding Brackets provide easy alignment with wood studs for easy wall/ceiling installations. Optional 11" x 4" and 12" x 8" Extended Brackets can allow more flexibility when spacing the screen out from the wall.



Optional In-Ceiling Trim Kit for Home2, CineTension2, Spectrum and VMAX2



Optional Elite ZR800D Universal Learning Remote Control allows one control regulation over your entertainment system managing up to 8 devices simultaneously. Each unit has a simplified programming option with learning function to accompany 800 pre-programmed TV/DVD/VCR codes.



ZHOME LB11-4



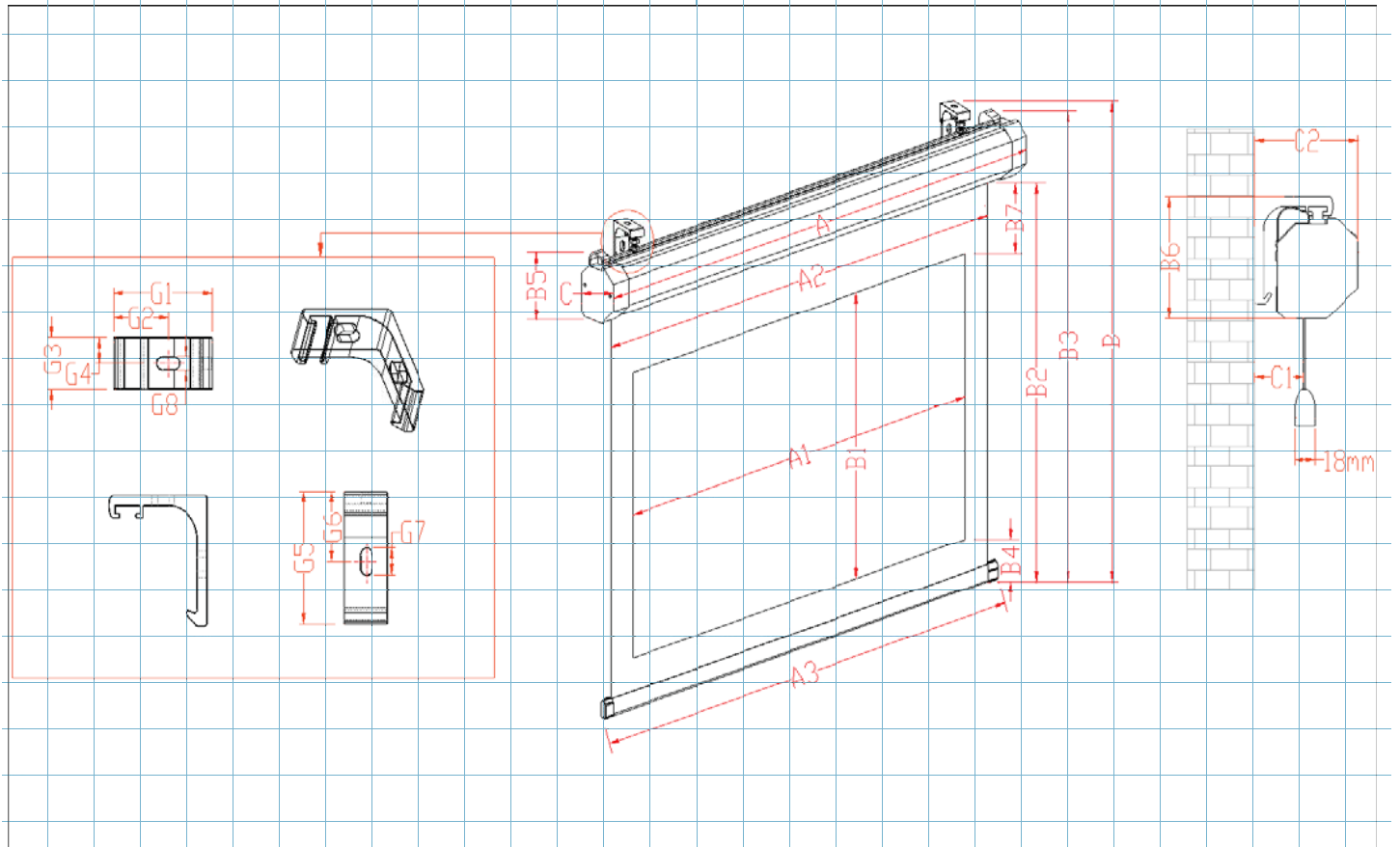
Standard Wall/Ceiling Brackets

Home2 Series Dimensions Table

Model	Screen Diag. & Aspect Ratio	Case Length (A)	View Width (A1)	Screen Width (A2)	Weight Bar Length (A3)	Overall Height w/ Bracket (B)	View Height (B1)	Screen Height (B2)	Overall Height (B3)	B4	Case Height (B5)	B6	Top Black Border (B7)	Case Width (C)	C1	C2	G1	G2	G3	G4	G5	G6	G7	G8
Home90I WV2	90"(4:3)	2069	1829	1905	1969	1632	1372	1488	1584	65	96	144	51	94	20	104	70	37	22	11	74	40	20	10
Home100I WV2	100"(4:3)	2296	2032	2132	2196	1809	1524	1665	1761	65	96	144	76	94	20	104	70	37	22	11	74	40	20	10
Home120I WV2	120"(4:3)	2702	2438	2538	2602	2140	1829	1996	2092	65	96	144	102	94	20	104	70	37	22	11	74	40	20	10
Home135I WV2	135"(4:3)	3007	2743	2843	2907	2368	2057	2224	2320	65	96	144	102	94	20	104	70	37	22	11	74	40	20	10
Home75I WH2	75"(16:9)	1900	1660	1736	1800	1245	934	1101	1197	65	96	144	102	94	20	104	70	37	22	11	74	40	20	10
Home75I WH2-E30	75"(16:9)	1900	1660	1736	1800	1905	934	1761	1857	65	96	144	762	94	20	104	70	37	22	11	74	40	20	10
Home90I WH2	90"(16:9)	2232	1992	2068	2132	1432	1121	1288	1384	65	96	144	102	94	20	104	70	37	22	11	74	40	20	10
Home90I WH2-E30	90"(16:9)	2232	1992	2068	2132	2092	1121	1948	2044	65	96	144	762	94	20	104	70	37	22	11	74	40	20	10
Home100I WH2	100"(16:9)	2478	2214	2314	2378	1556	1245	1412	1508	65	96	144	102	94	20	104	70	37	22	11	74	40	20	10
Home100I WH2-E24	100"(16:9)	2478	2214	2314	2378	2064	1245	1920	2016	65	96	144	610	94	20	104	70	37	22	11	74	40	20	10
Home120I WH2-E24	120"(16:9)	2921	2657	2757	2821	2313	1494	2169	2265	65	96	144	610	94	20	104	70	37	22	11	74	40	20	10
Home135I WH2	135"(16:9)	3253	2989	3089	3153	1992	1681	1848	1944	65	96	144	102	94	20	104	70	37	22	11	74	40	20	10
Home135I WH2-E24	135"(16:9)	3253	2989	3089	3153	2500	1681	2356	2452	65	96	144	610	94	20	104	70	37	22	11	74	40	20	10

Unit: mm

Note: Data Error ±1". The listed measurements are for general reference only. Please contact Elite Screens to verify product design and dimensions before attempting to integrate its products with any structural or furniture modification. Although a manufacturer may offer product advice, it may be taken or disregarded at the integrator's discretion. Elite Screens will not be held responsible or be otherwise liable for faulty installations.



Home2 Series Dimensions Table

Model	Screen Diag. & Aspect Ratio	Case Length (A)	View Width (A1)	Screen Width (A2)	Weight Bar Length (A3)	Overall Height w/ Bracket (B)	View Height (B1)	Screen Height (B2)	Overall Height (B3)	B4	Case Height (B5)	B6	Top Black Border (B7)	Case Width (C)	C1	C2	G1	G2	G3	G4	G5	G6	G7	G8
Home90I WV2	90"(4:3)	81.5	72.0	75.0	77.5	64.2	54.0	58.6	62.4	2.6	3.8	5.7	2.0	3.7	0.8	4.1	2.8	1.5	0.9	0.4	2.9	1.6	0.8	0.4
Home100I WV2	100"(4:3)	90.4	80.0	83.9	86.5	71.2	60.0	65.6	69.3	2.6	3.8	5.7	3.0	3.7	0.8	4.1	2.8	1.5	0.9	0.4	2.9	1.6	0.8	0.4
Home120I WV2	120"(4:3)	106.4	96.0	99.9	102.4	84.2	72.0	78.6	82.3	2.6	3.8	5.7	4.0	3.7	0.8	4.1	2.8	1.5	0.9	0.4	2.9	1.6	0.8	0.4
Home135I WV2	135"(4:3)	118.4	108.0	111.9	114.4	93.2	81.0	87.5	91.3	2.6	3.8	5.7	4.0	3.7	0.8	4.1	2.8	1.5	0.9	0.4	2.9	1.6	0.8	0.4
Home75I WH2	75"(16:9)	74.8	65.4	68.3	70.9	49.0	36.8	43.3	47.1	2.6	3.8	5.7	4.0	3.7	0.8	4.1	2.8	1.5	0.9	0.4	2.9	1.6	0.8	0.4
Home75I WH2-E30	75"(16:9)	74.8	65.4	68.3	70.9	75.0	36.8	69.3	73.1	2.6	3.8	5.7	30.0	3.7	0.8	4.1	2.8	1.5	0.9	0.4	2.9	1.6	0.8	0.4
Home90I WH2	90"(16:9)	87.9	78.4	81.4	83.9	56.4	44.1	50.7	54.5	2.6	3.8	5.7	4.0	3.7	0.8	4.1	2.8	1.5	0.9	0.4	2.9	1.6	0.8	0.4
Home90I WH2-E30	90"(16:9)	87.9	78.4	81.4	83.9	82.4	44.1	76.7	80.5	2.6	3.8	5.7	30.0	3.7	0.8	4.1	2.8	1.5	0.9	0.4	2.9	1.6	0.8	0.4
Home100I WH2	100"(16:9)	97.6	87.2	91.1	93.6	61.2	49.0	55.6	59.4	2.6	3.8	5.7	4.0	3.7	0.8	4.1	2.8	1.5	0.9	0.4	2.9	1.6	0.8	0.4
Home100I WH2-E24	100"(16:9)	97.6	87.2	91.1	93.6	81.2	49.0	75.6	79.4	2.6	3.8	5.7	24.0	3.7	0.8	4.1	2.8	1.5	0.9	0.4	2.9	1.6	0.8	0.4
Home120I WH2-E24	120"(16:9)	115.0	104.6	108.5	111.1	91.0	58.8	85.4	89.2	2.6	3.8	5.7	24.0	3.7	0.8	4.1	2.8	1.5	0.9	0.4	2.9	1.6	0.8	0.4
Home135I WH2	135"(16:9)	128.1	117.7	121.6	124.1	78.4	66.2	72.7	76.5	2.6	3.8	5.7	4.0	3.7	0.8	4.1	2.8	1.5	0.9	0.4	2.9	1.6	0.8	0.4
Home135I WH2-E24	135"(16:9)	128.1	117.7	121.6	124.1	98.4	66.2	92.7	96.5	2.6	3.8	5.7	24.0	3.7	0.8	4.1	2.8	1.5	0.9	0.4	2.9	1.6	0.8	0.4

Unit: inch

Note: Data Error ±1". The listed measurements are for general reference only. Please contact Elite Screens to verify product design and dimensions before attempting to integrate its products with any structural or furniture modification. Although a manufacturer may offer product advice, it may be taken or disregarded at the integrator's discretion. Elite Screens will not be held responsible or be otherwise liable for faulty installations.

