

Clean air...it's what we do

Specifications

Frame: 26 point high wet strength clay-coated kraft board.

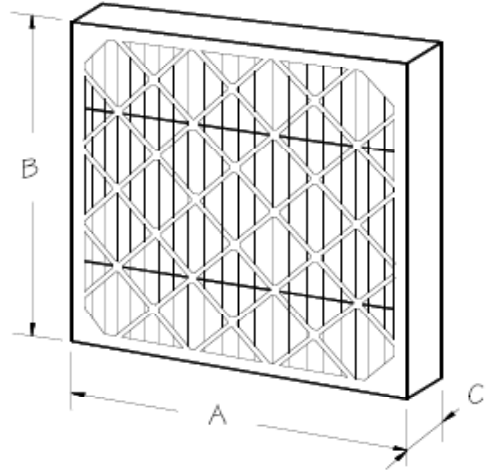
Media: 100% synthetic fibers, water and bacteria resistant

Media bonded to frame using water resistant adhesive.

Media bonded to expanded metal support grid using water resistant adhesive.

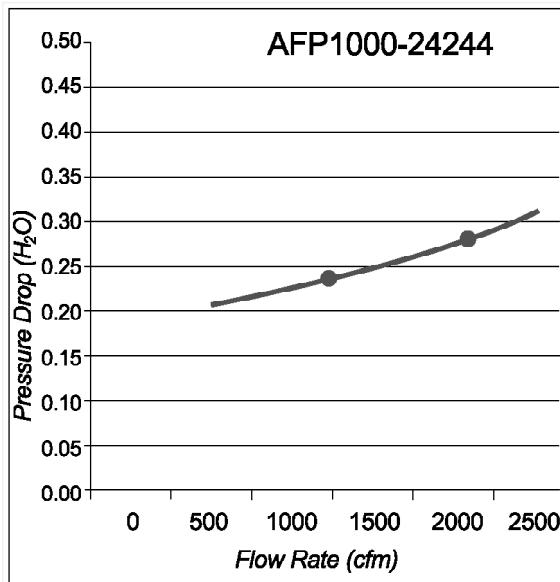
Efficiency: 25-30% per ASHRAE 52.1; MERV 7-8 per ASHRAE 52.2

UL 900: Class 2



Pleat - 4" Nominal Depth, Economy Capacity

Model Number	Width "A"	Height "B"	Depth "C"
AFP1000-5504	24-1/2"	24-1/2"	3-3/4"
AFP1000-4404	23-3/8"	23-3/8"	3-3/4"
AFP1000-0504	19-1/2"	24-1/2"	3-3/4"
AFP1000-0404	19-1/2"	23-3/8"	3-3/4"
AFP1000-0004	19-1/2"	19-1/2"	3-3/4"
AFP1000-8504	17-3/8"	24-1/2"	3-3/4"
AFP1000-8404	17-3/8"	23-3/8"	3-3/4"
AFP1000-6504	15-1/2"	24-1/2"	3-3/4"
AFP1000-6004	15-1/2"	19-1/2"	3-3/4"
AFP1000-2404	11-3/8"	23-3/8"	3-3/4"
AFP1000-2004	11-3/8"	19-1/2"	3-3/4"



PO Box 2205 Ph: 919-718-5818
 Sanford, NC 27331 Fax: 919-718-5819
 info@airscrubbersinc.com

**Pleated Filter, 4" Nominal Depth
 High Capacity, 25-30%
 MERV 7-8**

Date 01/02/10

Model

Revision

AFP1000-4