

BROAD-BAND SERIES



BBG-180RT

VALVE REGULATED LEAD ACID BATTERY FOR BROADBAND STANDBY POWER APPLICATIONS

APPLICATIONS

- Broadband
- WIFI
- Traffic Management
- Reverse Power Systems

FEATURES & BENEFITS

- Flame-arresting one-way pressure-relief vent for safety and long life.
- Thermally welded case-to-cover bond to ensure a leak-proof seal.
- Thick positive plate design for maximum service float life.
- Case and cover of high-impact polypropylene with reinforced endwalls to reduce bulging.
- Removable carrying handles.
- Gas recombination efficiency of up to 99% for freedom from electrolyte maintenance.
- Designed to meet full published ratings at initial start-up installation
- Multicell design for ease of installation and maintenance.
- UL-recognized component.
- Gelled electrolyte for superior float service life and thermal management.

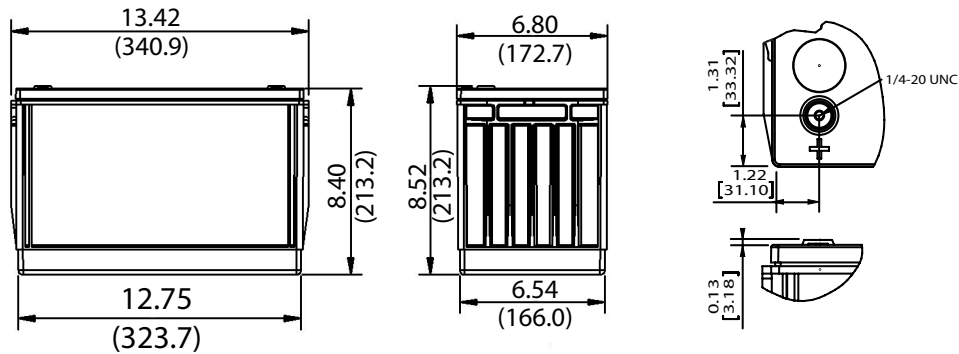
12 Volts - 94 Ampere Hour Capacity @ 20 Hour Rate

Ampere Hour Capacity to 1.75 Volts per Cell @ 77°F (25°C)

Discharge in Hours	.25	.50	1.00	2.00	3.00	4.00	5.00	6.00	7.00	8.00	10.00	12.00	20.00	24.00	48.00	72.00	100.00
Amp-Hr Capacity	39.5	50.5	61.2	70.4	75.6	78.8	82.0	83.4	85.4	86.4	88.9	89.9	93.6	95.0	99.8	102	103

BBG-180RT - Specifications

Cells Per Unit	Voltage Per Unit	Weight	Maximum Discharge Current	Short Circuit Current	Ohms Imped. 60 Hz (Ω)
6	12.84	66 lbs. (30 kg)	800 Amps	2500 Amps @ 0.1 sec	0.0050 Ohms



All dimensions in inches and (millimeters). All dimensions are for reference only. Contact a C&D Representative for complete dimensional information.

Capacity	93.6 Ah @ 20 hour rate to 1.75 volts per cell @ 77°F (25°C)
Operating Temperature Range	Discharge; -40°F (-40°C) to + 160°F (71°C), Charge; -10°F (-23°C) to+ 140°F (60°C) with temperature compensation
Recommended Operating Temperature Range	+ 74°F (23°C) to +80°F (27°C)
Float Charging Voltage	13.5 to 13.8 VDC/unit Average at 77°F (25°C)
Recommended Maximum Charging Current Limit	C ₂₀ /5 amperes 18.8 amperes
Maximum AC Ripple (Charger)	0.5 % RMS or 1.5% P-P of float charge voltage recommended for best results. Maximum AC ripple voltage allowed = 1.4% RMS (4% P-P) Maximum AC ripple current allowed = 4.7 amperes RMS (C ₂₀ /20)
Self Discharge	Broadband batteries may be stored for up to 6 months at 77°F (25°C) and then a freshening charge is required. For higher temperatures the time interval will be shorter.
Accessories	Inter unit connectors, and racks are available.
Terminal	Threaded copper alloy insert terminal to accept 1/4-20 UNC bolt
Terminal Hardware Torque	110 in.-lbs. (12.4 n-m).

Constant Current Discharge Ratings - Amperes @ 77°F (25°C) to 1.75 Volts per cell

Amperes	5	10	15	20	25	30	35	40	45	50
Run Time (Minutes)	1118	524	331	237	182	146	121	102	88	78

Constant Current Discharge Ratings - Amperes @ 77°F (25°C)

End Point Volts/Cell	Operating Time to End Point Voltage (in hours)																
	.25	.50	1.00	2.00	3.00	4.00	5.00	6.00	7.00	8.00	10.00	12.00	20.00	24.00	48.00	72.00	100
1.75	158	101	61.2	35.2	25.2	19.7	16.4	13.9	12.2	10.8	8.89	7.49	4.68	3.96	2.08	1.42	1.03
1.80	145	95.7	59.4	34.6	24.8	19.5	16.2	13.8	12.0	10.7	8.78	7.40	4.62	3.90	2.04	1.39	1.02
1.85	127	87.5	56.0	33.2	24.0	18.9	15.7	13.3	11.7	10.4	8.51	7.17	4.46	3.77	1.97	1.34	0.98
1.90	107	75.6	50.0	30.5	22.2	17.6	14.6	12.5	10.9	9.71	7.96	6.70	4.16	3.51	1.82	1.23	0.90

Note: Batteries to be mounted with 0.5 in. (12.5 mm) spacing minimum and free air ventilation. Specifications subject to change without notification.

C&D TECHNOLOGIES, INC.

1400 Union Meeting Road
P.O. Box 3053 • Blue Bell, PA 19422-0858
(215) 619-2700 • Fax (215) 619-7899 • (800) 543-8630
customersvc@cdtechno.com
www.cdtechno.com

All data, descriptions or specifications presented herein are subject to revision by C&D Technologies, Inc. without notice. While such information is believed to be accurate as indicated herein, C&D Technologies, Inc. makes no warranty and hereby disclaims all warranties, express or implied, with regard to the accuracy or completeness of such information. Further, because the product(s) featured herein may be used under conditions beyond its control, C&D Technologies, Inc. hereby disclaims all warranties, either express or implied, concerning the fitness or suitability of such product(s) for any particular use or in any specific application or arising from any course of dealing or usage of trade. The user is solely responsible for determining the suitability of the product(s) featured herein for user's intended purpose and in user's specific application.

Copyright 2012 C&D TECHNOLOGIES, INC. Printed in U.S.A. 12-1055 0816/CD