



HORIZONTAL CEILING MOUNTED AIR HANDLER

SEHX/CEHX Direct Expansion Cooling Electric Heating
SDXW/CDXW Direct Expansion Cooling Hot Water Heating
SCWE/CCWE Chilled Water Cooling Electric Heating
SCWW/CCWW Chilled Water Cooling Hot Water Heating

Description:

These air handlers are designed for horizontal mounting into a furred down ceiling, and will handle up to 1150 CFM and up to 3 ton of cooling with a DX cooling or heat pump coil, or Chilled Water coil.

These units will provide up to 10 KW of electric heat or up to 51,000 MBTUH of hot water heating.

For DX cooling requirements these air handlers can be matched with most manufacturer's condensing units and heat pumps.

The "S" series air handlers are exposed blower type, and the "C" series is equipped with an insulated cabinet over the top and sides. The bottom of the case is open to accommodate a louvered/filtered access panel.

The cased units have a knock-out for rear return air. Return air duct flanges and filter racks are field supplied

Standard Features:

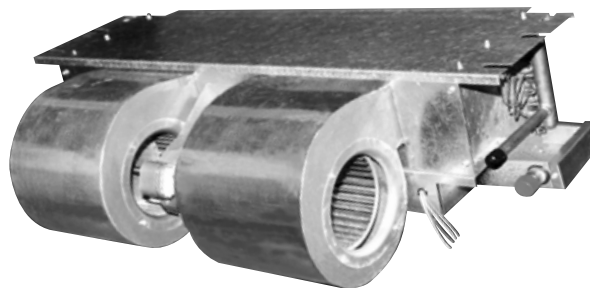
- * Electric heat models are 208/230/1/60.
- * Hot water heat models are 115/1/60.
- * Water circulating pump is factory installed on hot water heat models.
- * Space saving design.
- * Galvanized steel blower wheels.
- * Prewired for cooling and heating.
- * Control transformer.
- * Primary and secondary condensate drain pans.
- * Easy access for service and maintenance.
- * High efficiency copper tube aluminum fin coils.

Field Installed Options:

- * Louvered or non-louvered ceiling access panels.
- * Time delay relay.

Factory Installed Options:

- * Thermostatic expansion valve, either R-22 or R-410A, all expansion valves are suitable for heat pump application.
- * Deduct for removing hot water circulating pump for boiler loop applications.



All Technical Information Subject To Change Without Notice



Form: SEHX/070106-1

For more information contact Customer Service 817-624-0820

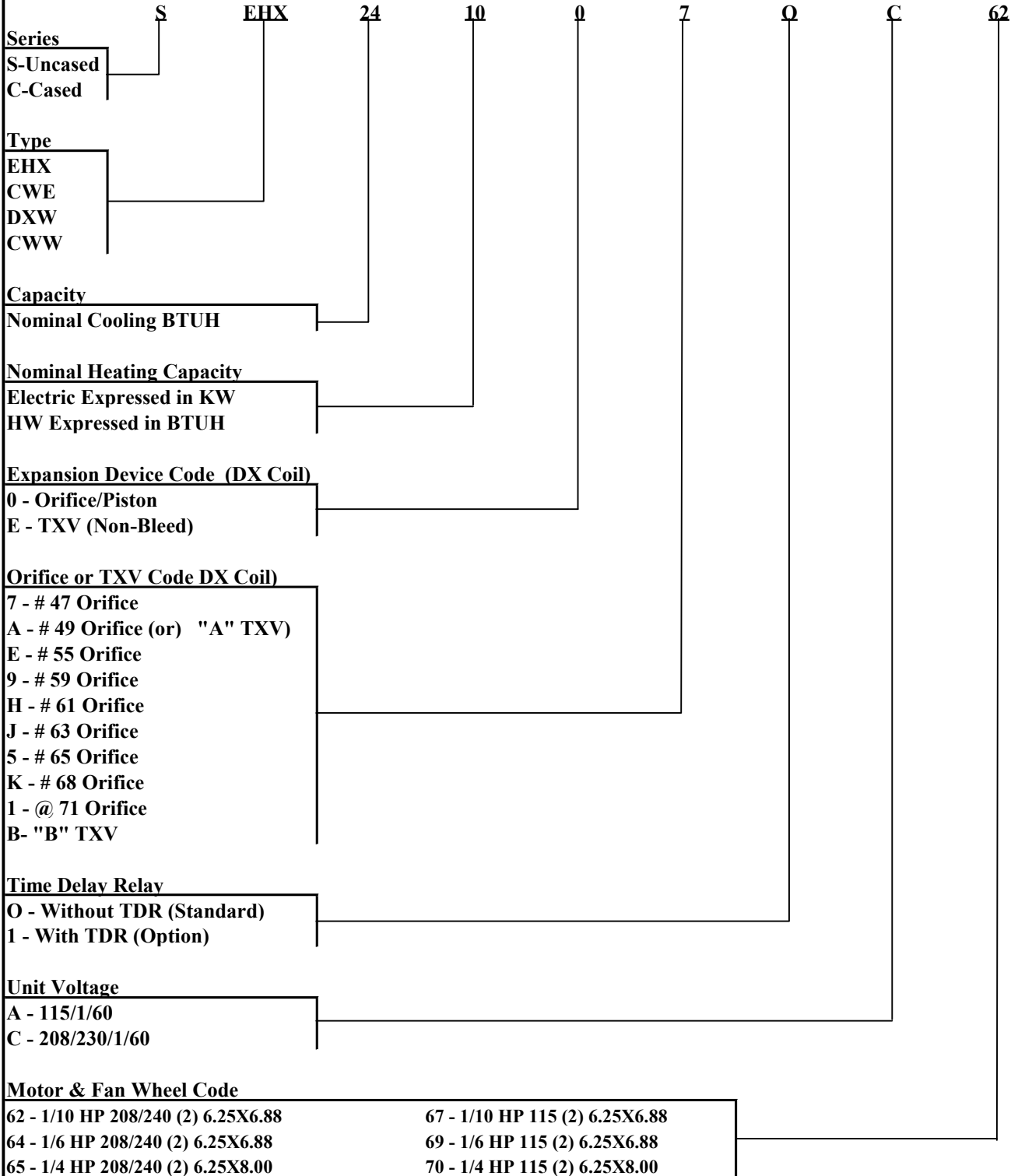
501 Terminal Road Fort Worth, Texas 76106 Ph. 817-624-0820 Fx. 817-624-8581



HORIZONTAL CEILING MOUNTED AIR HANDLER

SEHX/CEHX Direct Expansion Cooling Electric Heating
 SDXW/CDXW Direct Expansion Cooling Hot Water Heating
 SCWE/CCWE Chilled Water Cooling Electric Heating
 SCWW/CCWW Chilled Water Cooling Hot Water Heating

UNIT NOMENCLATURE



All Technical Information Subject To Change Without Notice



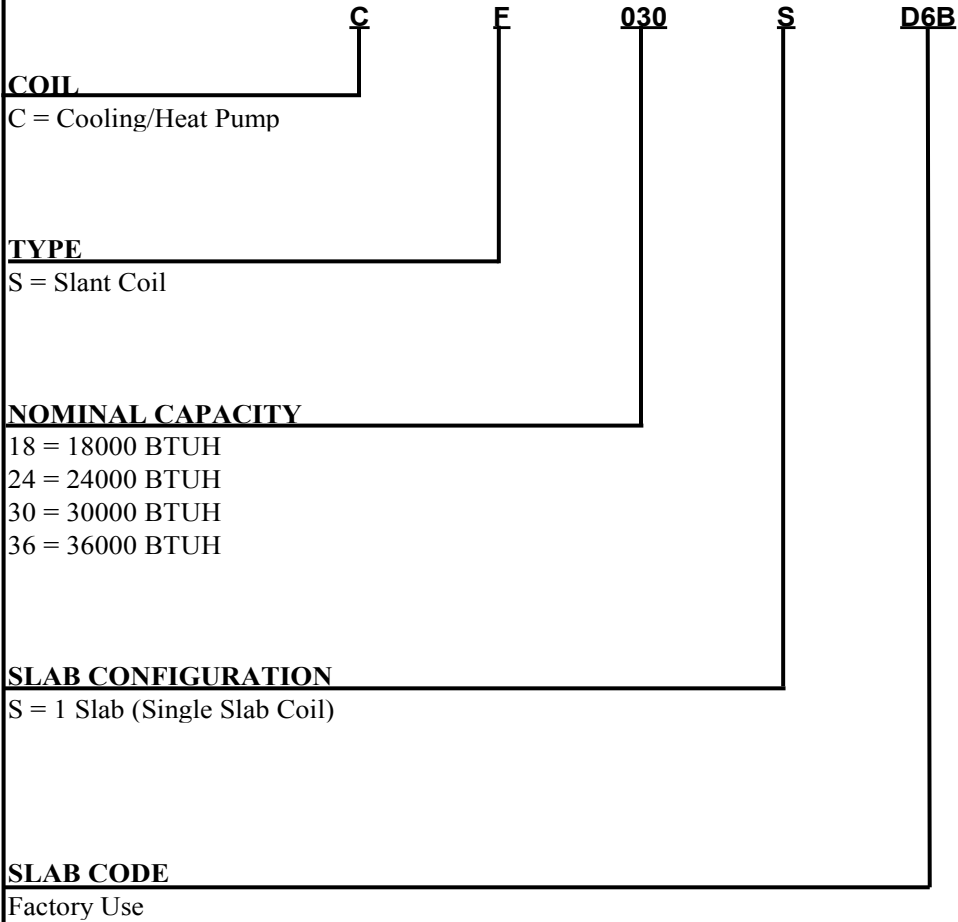
Form: SEHX/070106-2

For more information contact Customer Service 817-624-0820

501 Terminal Road Fort Worth, Texas 76106 Ph. 817-624-0820 Fx. 817-624-8581



**PRODUCT NOMENCLATURE
EVAPORATOR COIL**



All Technical Information Subject To Change Without Notice



Form: SEHX/070106-3

For more information contact Customer Service 817-624-0820

501 Terminal Road Fort Worth, Texas 76106 Ph. 817-624-0820 Fx. 817-624-8581



HORIZONTAL CEILING MOUNTED AIR HANDLER

SEHX/CEHX Direct Expansion Cooling Electric Heating
 SDXW/CDXW Direct Expansion Cooling Hot Water Heating
 SCWE/CCWE Chilled Water Cooling Electric Heating
 SCWW/CCWW Chilled Water Cooling Hot Water Heating

FAN DATA

SEHX / CEHX SCWE / CCWE	Motor HP	CFM @ External Static Pressure						
		0.00"	0.05"	0.10"	0.15"	0.20"	0.25"	0.30"
-18-XX-0A-0C64	1/6	689	667	650	629	612	595	578
-19-XX-0E-0C64	1/6	774	748	727	706	684	667	650
-24-XX-09-0C64	1/6	808	782	757	744	723	701	684
-25-XX-0H-0C65	1/4	986	961	935	910	884	867	837
-30-XX-0J-0C65	1/4	1003	973	948	922	897	871	850
-31-XX-05-0C65	1/4	986	961	935	910	884	867	837
-34-XX-0K-0C65	1/4	1068	1030	996	963	921	900	875
-35-XX-01-0C65	1/4	1034	996	967	942	892	870	846
-36-XX-0K-0C65	1/4	1084	1046	1012	978	935	914	888
-37-XX-01-0C65	1/4	1050	1012	982	956	905	884	859

FAN DATA

SDXW / CDXW SCWW / CCWW	Motor HP	CFM @ External Static Pressure						
		0.00"	0.05"	0.10"	0.15"	0.20"	0.25"	0.30"
-18-21-0A-0C69	1/6	635	615	600	580	564	549	533
-19-21-0E-0C69	1/6	713	690	670	651	631	615	600
-24-23-09-0C69	1/6	745	721	698	686	666	647	631
-25-23-0H-0C70	1/4	909	886	862	839	815	800	772
-30-27-0J-0C70	1/4	925	898	874	851	827	804	784
-31-28-05-0C70	1/4	909	886	862	839	815	800	772
-34-30-0K-0C70	1/4	985	950	919	888	850	830	807
-35-30-0K-0C70	1/4	953	919	892	869	822	803	780
-36-32-0K-0C70	1/4	1000	964	933	902	862	843	819
-37-32-0K-0C70	1/4	968	933	906	882	835	815	792

All Technical Information Subject To Change Without Notice



Form: SEHX/070106-4

For more information contact Customer Service 817-624-0820

501 Terminal Road Fort Worth, Texas 76106 Ph. 817-624-0820 Fx. 817-624-8581



HORIZONTAL CEILING MOUNTED AIR HANDLER

SEHX/CEHX Direct Expansion Cooling Electric Heating
 SDXW/CDXW Direct Expansion Cooling Hot Water Heating
 SCWE/CCWE Chilled Water Cooling Electric Heating
 SCWW/CCWW Chilled Water Cooling Hot Water Heating

Physical Data:

Model No.	Motor HP HP	DX Rows	CW Rows	HW Rows	Suction Conn.	Liquid Conn.	CW Conn.	HW Conn.	Shp. Wght.
SEHX & CEHX Series DX Cooling Electric Heat									
18	1/6	3	N/A	N/A	3/4	3/8	N/A	N/A	60
19	1/6	4	N/A	N/A	3/4	3/8	N/A	N/A	65
24	1/6	3	N/A	N/A	3/4	3/8	N/A	N/A	60
25	1/4	4	N/A	N/A	3/4	3/8	N/A	N/A	75
30	1/4	3	N/A	N/A	3/4	3/8	N/A	N/A	70
31	1/4	4	N/A	N/A	3/4	3/8	N/A	N/A	75
34	1/4	3	N/A	N/A	3/4	3/8	N/A	N/A	74
35	1/4	4	N/A	N/A	3/4	3/8	N/A	N/A	80
36	1/4	3	N/A	N/A	3/4	3/8	N/A	N/A	85
37	1/4	4	N/A	N/A	3/4	3/8	N/A	N/A	90
SDXW & CDXW Series DX Cooling Hot Water Heat									
18	1/6	3	N/A	2	3/4	3/8	N/A	5/8	64
19	1/6	4	N/A	2	3/4	3/8	N/A	5/8	69
24	1/6	3	N/A	2	3/4	3/8	N/A	5/8	64
25	1/4	4	N/A	2	3/4	3/8	N/A	5/8	79
30	1/4	3	N/A	2	3/4	3/8	N/A	5/8	74
31	1/4	4	N/A	2	3/4	3/8	N/A	5/8	79
34	1/4	3	N/A	2	3/4	3/8	N/A	5/8	78
35	1/4	4	N/A	2	3/4	3/8	N/A	5/8	84
36	1/4	3	N/A	2	3/4	3/8	N/A	5/8	89
37	1/4	4	N/A	2	3/4	3/8	N/A	5/8	94
SCWE & CCWE Series Chilled Water Cooling Electric Heat									
18	1/6	N/A	4	N/A	N/A	N/A	5/8	N/A	65
19	1/6	N/A	5	N/A	N/A	N/A	5/8	N/A	70
24	1/6	N/A	4	N/A	N/A	N/A	5/8	N/A	65
25	1/4	N/A	5	N/A	N/A	N/A	5/8	N/A	80
30	1/4	N/A	4	N/A	N/A	N/A	5/8	N/A	75
31	1/4	N/A	5	N/A	N/A	N/A	5/8	N/A	80
34	1/4	N/A	4	N/A	N/A	N/A	5/8	N/A	79
35	1/4	N/A	5	N/A	N/A	N/A	5/8	N/A	85
36	1/4	N/A	4	N/A	N/A	N/A	5/8	N/A	90
37	1/4	N/A	5	N/A	N/A	N/A	5/8	N/A	95
SCWW & CCWW Series Chilled Water Cooling Hot Water Heat									
18	1/6	N/A	4	2	N/A	N/A	5/8	5/8	67
19	1/6	N/A	5	2	N/A	N/A	5/8	5/8	72
24	1/6	N/A	4	2	N/A	N/A	5/8	5/8	67
25	1/4	N/A	5	2	N/A	N/A	5/8	5/8	82
30	1/4	N/A	4	2	N/A	N/A	5/8	5/8	77
31	1/4	N/A	5	2	N/A	N/A	5/8	5/8	82
34	1/4	N/A	4	2	N/A	N/A	5/8	5/8	81
35	1/4	N/A	5	2	N/A	N/A	5/8	5/8	87
36	1/4	N/A	4	2	N/A	N/A	5/8	5/8	92
37	1/4	N/A	5	2	N/A	N/A	5/8	5/8	97

All Technical Information Subject To Change Without Notice



Form: SEHX/070106-5

For more information contact Customer Service 817-624-0820

501 Terminal Road Fort Worth, Texas 76106 Ph. 817-624-0820 Fx. 817-624-8581



**COMMERCIAL
AIRE PRODUCTS™**

HORIZONTAL CEILING MOUNTED AIR HANDLER

SEHX/CEHX Direct Expansion Cooling Electric Heating
 SDXW/CDXW Direct Expansion Cooling Hot Water Heating
 SCWE/CCWE Chilled Water Cooling Electric Heating
 SCWW/CCWW Chilled Water Cooling Hot Water Heating

PERFORMANCE & ELECTRICAL DATA (ELECTRIC HEAT)

Model Number	Nominal Tons	Nominal CFM	Electric Heat		Capacity (BTUH)		@ 230/1/60	
			KW @ 230/1	KW @ 208/1	230/1	208/1	MCA *	MOCP
SEHX/CEHX-18,19 SCWE/CCWE-18,19	1.5	600	0	0	0	0	2.5	10.0
			3.0	2.3	10245	7684	18.0	20.0
			5.0	3.8	17075	12806	28.0	30.0
			6.0	4.5	20490	15368	33.0	40.0
			8.0	6.0	27320	20490	43.0	45.0
			10.0	7.5	34150	25613	55.0	60.0
SEHX/CEHX-24 SCWE/CCWE-24	2.0	800	0	0	0	0	2.5	10.0
			3.0	2.3	10245	7684	18.0	20.0
			5.0	3.8	17075	12806	28.0	30.0
			6.0	4.5	20490	15368	33.0	40.0
			8.0	6.0	27320	20490	43.0	45.0
			10.0	7.5	34150	25613	55.0	60.0
SEHX/CEHX-25,30,31 SCWE/CCWE-25,30,31	2.5	1000	0	0	0	0	2.5	10.0
			3.0	2.3	10245	7684	18.0	20.0
			5.0	3.8	17075	12806	28.0	30.0
			6.0	4.5	20490	15368	33.0	40.0
			8.0	6.0	27320	20490	43.0	45.0
			10.0	7.5	34150	25613	55.0	60.0
SEHX/CEHX-34,35 SCWE/CCWE-34,35	3.0	1100	0	0	0	0	3.8	15.0
			3.0	2.3	10245	7684	19.0	20.0
			5.0	3.8	17075	12806	29.0	30.0
			6.0	4.5	20490	15368	35.0	40.0
			8.0	6.0	27320	20490	45.0	45.0
			10.0	7.5	34150	25613	55.0	60.0
SEHX/CEHX-36,37 SCWE/CCWE-36,37	3.0	1200	0	0	0	0	3.8	15.0
			3.0	2.3	10245	7684	19.0	20.0
			5.0	3.8	17075	12806	29.0	30.0
			6.0	4.5	20490	15368	35.0	40.0
			8.0	6.0	27320	20490	45.0	45.0
			10.0	7.5	34150	25613	55.0	60.0

* Amp Ratings @ 240/1/60 - Derate 25% for 208/1/60

PERFORMANCE & ELECTRICAL DATA (HOT WATER HEAT)

Model Number SDXW/CDXW SCWW/CCWW	Nominal Tons	Nominal CFM	Hot Water Heating Capacity	FLA @ 115/1	MCA @ 115/1	MOCP @ 115/1
-18-21-0A-0C69	1.5	680	21,000	2.32	2.0	15
-19-21-0E-0C69	1.5	765	21,000	2.42	3.0	15
-24-23-09-0C69	2.0	805	23,000	2.42	3.0	15
-25-23-0H-0C69	2.5	985	23,000	2.42	3.0	15
-30-27-0J-0C70	2.5	1000	27,000	3.82	4.8	15
-31-28-05-0C70	2.5	985	28,000	3.82	4.8	15
-34-30-0K-0C70	3.0	1029	30,000	3.82	4.8	15
-35-30-0K-0C70	3.0	995	30,000	3.82	4.8	15
-36-32-0K-0C70	3.0	1045	32,000	3.82	4.8	15
-37-32-0K-0C70	3.0	1010	32,000	3.82	4.8	15

All Technical Information Subject To Change Without Notice



Form: SEHX/070106-6

For more information contact Customer Service 817-624-0820

501 Terminal Road Fort Worth, Texas 76106 Ph. 817-624-0820 Fx. 817-624-8581



HORIZONTAL CEILING MOUNTED AIR HANDLER

SEHX/CEHX Direct Expansion Cooling Electric Heating
 SDXW/CDXW Direct Expansion Cooling Hot Water Heating
 SCWE/CCWE Chilled Water Cooling Electric Heating
 SCWW/CCWW Chilled Water Cooling Hot Water Heating

CHILLED WATER COOLING CAPACITY

Model Number	CFM	Cooling Capacity @ E.W.T.					PD Water (Ft.Wtr)	PD Air (IWC)
		GPM	80°F / 67°F / 45°F		80°F / 67°F / 42°F			
			Total	Sensible	Total	Sensible		
SCWE/CCWE18 SCWW/CCWW18	600	2.0	14,700	12,900	15,800	13,400	1.2	0.29"
		3.0	18,100	14,600	19,700	15,300	2.6	
		4.0	20,600	15,800	22,700	16,600	4.4	
		5.0	22,600	16,700	25,000	17,600	6.8	
		6.0	24,200	17,300	26,882	18,400	9.6	
SCWE/CCWE19 SCWW/CCWW19	600	2.0	17,900	14,500	19,400	15,000	2.1	0.35"
		3.0	21,500	16,000	23,500	16,900	4.6	
		4.0	24,100	17,100	26,600	18,200	7.9	
		5.0	26,000	17,900	28,300	19,100	12.0	
		6.0	27,400	18,500	30,600	19,900	17.0	
SCWE/CCWE24 SCWW/CCWW24	800	2.0	16,400	15,000	17,500	15,800	1.2	0.44"
		3.0	20,400	17,500	22,100	18,300	2.6	
		4.0	23,500	19,000	26,000	20,000	4.4	
		5.0	25,800	20,100	28,300	21,200	6.8	
		6.0	27,700	21,000	30,600	22,200	9.7	
SCWE/CCWE25 SCWW/CCWW25	800	2.0	20,300	17,200	21,800	18,000	2.1	0.55"
		3.0	24,700	19,500	26,750	20,400	4.6	
		4.0	27,800	20,900	30,500	22,000	7.9	
		5.0	30,300	22,000	33,300	23,300	12.0	
		6.0	32,100	22,800	35,600	24,300	17.0	
SCWE/CCWE30 SCWW/CCWW30	1000	2.0	19,500	17,800	20,800	18,700	1.3	0.40"
		3.0	24,500	21,200	26,500	22,200	2.8	
		4.0	28,300	23,200	30,700	24,300	4.9	
		5.0	31,200	24,600	34,190	25,900	7.5	
		6.0	33,800	25,700	37,000	27,200	10.6	
SCWE/CCWE31 SCWW/CCWW31	1000	2.0	24,300	20,500	25,800	21,400	2.4	0.53"
		3.0	29,600	23,600	31,800	24,700	5.2	
		4.0	33,500	25,500	36,300	26,800	9.0	
		5.0	36,500	26,900	40,000	28,400	13.6	
		6.0	38,800	27,900	42,900	29,700	19.2	
SCWE/CCWE34 SCWW/CCWW34	1200	2.0	20,900	19,100	22,400	20,100	1.4	0.41"
		3.0	26,500	22,900	28,500	24,100	3.0	
		4.0	30,500	25,200	33,100	26,400	5.1	
		5.0	33,800	26,800	37,000	28,200	7.8	
		6.0	36,400	28,000	40,000	29,600	11.1	
SCWE/CCWE35 SCWW/CCWW35	1200	2.0	26,100	21,900	27,700	22,900	2.6	0.52"
		3.0	31,900	25,600	34,200	26,700	5.6	
		4.0	36,100	27,700	39,200	29,100	9.5	
		5.0	39,400	29,200	46,300	30,800	14.4	
		6.0	42,000	30,300	46,300	32,200	20.3	
SCWE/CCWE36 SCWW/CCWW36	1200	2.0	22,300	19,900	23,700	20,900	1.5	0.31"
		3.0	28,000	23,800	30,200	24,900	3.2	
		4.0	32,300	26,100	35,100	27,300	5.6	
		5.0	35,800	27,800	39,100	29,200	8.5	
		6.0	38,600	29,100	42,350	30,700	12.0	
SCWE/CCWE37 SCWW/CCWW37	1200	2.0	27,400	22,600	29,100	23,600	2.9	0.40"
		3.0	33,400	26,300	35,900	27,500	6.1	
		4.0	37,800	28,600	41,000	29,950	10.4	
		5.0	41,300	30,100	45,200	21,800	15.9	
		6.0	43,850	21,200	48,500	33,250	22.3	

All Technical Information Subject To Change Without Notice



Form: SEHX/070106-7

For more information contact Customer Service 817-624-0820

501 Terminal Road Fort Worth, Texas 76106 Ph. 817-624-0820 Fx. 817-624-8581



**COMMERCIAL
AIRE PRODUCTS™**

HORIZONTAL CEILING MOUNTED AIR HANDLER

SEHX/CEHX Direct Expansion Cooling Electric Heating
 SDXW/CDXW Direct Expansion Cooling Hot Water Heating
 SCWE/CCWE Chilled Water Cooling Electric Heating
 SCWW/CCWW Chilled Water Cooling Hot Water Heating

HOT WATER HEATING CAPACITY (2 ROW HW COIL)

Model Number	Coil Rows	CFM	Heating GPM	PD Ft. Wt.	Heating Capacity @ E.W.T.			
					140°F	160°F	170°F	180°F
SDXW/CDXW-18-21	2	600	3.0	3.3	21,100	27,300	30,500	33,600
SDXW/CDXW-19-21	2	600	3.0	3.3	22,500	29,100	32,400	35,800
SDXW/CDXW-24-23	2	800	3.0	3.3	22,700	29,400	32,700	36,100
SDXW/CDXW-25-23	2	800	3.0	3.3	22,700	29,400	32,700	36,100
SDXW/CDXW-30-27	2	1000	3.0	3.7	27,800	36,000	40,100	44,300
SDXW/CDXW-31-28	2	1000	3.0	3.7	28,000	36,300	40,500	44,600
SDXW/CDXW-34-30	2	1200	3.0	3.7	29,600	38,300	42,700	47,100
SDXW/CDXW-35-30	2	1200	3.0	3.7	29,800	38,500	42,900	47,300
SDXW/CDXW-36-32	2	1200	3.0	4.2	31,800	41,200	45,900	50,600
SDXW/CDXW-37-32	2	1200	3.0	4.2	32,200	41,600	46,300	51,100

HOT WATER HEATING CAPACITY (SEPARATE HW COIL 4 PIPE SYSTEM)

Model Number	Coil Rows	CFM	Heating GPM	PD Ft. Wt.	Heating Capacity @ E.W.T.			
					140°F	160°F	170°F	180°F
SCWW/CCWW-18-21	2	600	3.0	3.3	21,100	27,300	30,500	33,600
SCWW/CCWW-19-21	2	600	3.0	3.3	22,500	29,100	32,400	35,800
SCWW/CCWW-24-23	2	800	3.0	3.3	22,700	29,400	32,700	36,100
SCWW/CCWW-25-23	2	800	3.0	3.3	22,700	29,400	32,700	36,100
SCWW/CCWW-30-27	2	1000	3.0	3.7	27,800	36,000	40,100	44,300
SCWW/CCWW-31-28	2	1000	3.0	3.7	28,000	36,300	40,500	44,600
SCWW/CCWW-34-30	2	1200	3.0	3.7	29,600	38,300	42,700	47,100
SCWW/CCWW-35-30	2	1200	3.0	3.7	29,800	38,500	42,900	47,300
SCWW/CCWW-36-32	2	1200	3.0	4.2	31,800	41,200	45,900	50,600
SCWW/CCWW-37-32	2	1200	3.0	4.2	32,200	41,600	46,300	51,100

HOT WATER HEATING CAPACITY (SINGLE COIL 2 PIPE SYSTEM)

Model Number	Coil Rows	CFM	Heating GPM	PD Ft. Wt.	Heating Capacity @ E.W.T.			
					140°F	160°F	170°F	180°F
SCWW/CCWW-18-21	4	600	3.0	3.3	38,103	46,000	50,900	55,870
SCWW/CCWW-19-22	5	600	3.0	3.3	41,108	49,690	54,980	60,275
SCWW/CCWW-24-23	4	800	3.0	3.3	45,193	54,510	60,380	66,265
SCWW/CCWW-25-23	5	800	3.0	3.3	49,288	59,550	65,910	72,270
SCWW/CCWW-30-27	4	1000	3.0	3.7	53,517	64,600	71,530	78,470
SCWW/CCWW-31-28	5	1000	3.0	3.7	58,048	70,170	77,640	85,115
SCWW/CCWW-34-30	4	1200	3.0	3.7	59,617	72,020	79,745	87,415
SCWW/CCWW-35-30	5	1200	3.0	3.7	64,592	78,100	86,410	94,710
SCWW/CCWW-36-32	4	1200	3.0	4.2	61,448	74,220	82,150	90,100
SCWW/CCWW-37-32	5	1200	3.0	4.2	66,031	79,890	88,350	96,820

All Technical Information Subject To Change Without Notice



Form: SEHX/070106-8

For more information contact Customer Service 817-624-0820

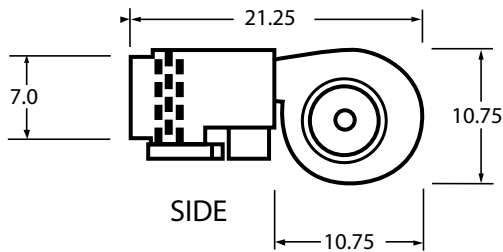
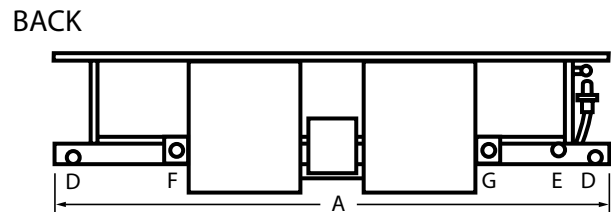
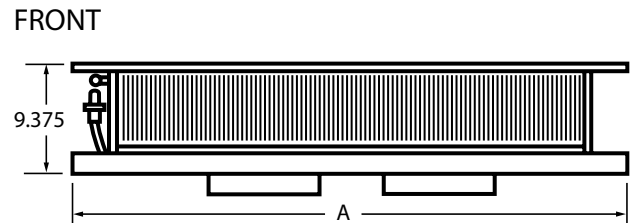
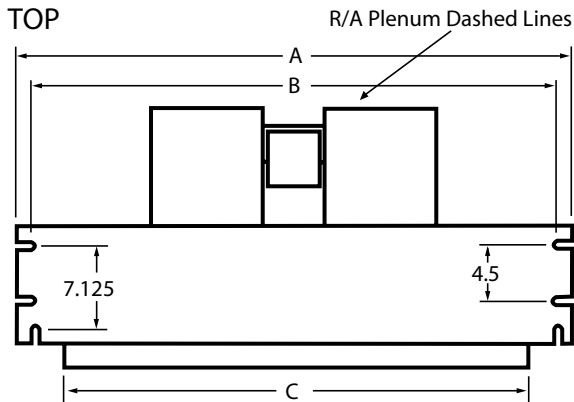
501 Terminal Road Fort Worth, Texas 76106 Ph. 817-624-0820 Fx. 817-624-8581



HORIZONTAL CEILING MOUNTED AIR HANDLER

SEHX/CEHX Direct Expansion Cooling Electric Heating
 SDXW/CDXW Direct Expansion Cooling Hot Water Heating
 SCWE/CCWE Chilled Water Cooling Electric Heating
 SCWW/CCWW Chilled Water Cooling Hot Water Heating

PHYSICAL DIMENSIONS (UNCASED)			
SEHX/SCWE/SDXW/SCWW	A	B	C
18, 19, 24, 25	37.00	34.25	30.00
30, 31	45.00	45.25	38.00
34, 35	49.00	46.25	42.00
36, 37	56.00	53.25	49.00



- D 3/4 MALE DRAIN CONN PRIMARY
- E 3/4 MALE DRAIN CONN SECONDARY
- F .875 POWER CONN
- G .562 THERMOSTAT CONN

All Technical Information Subject To Change Without Notice



Form: SEHX/070106-9

For more information contact Customer Service 817-624-0820

501 Terminal Road Fort Worth, Texas 76106 Ph. 817-624-0820 Fx. 817-624-8581

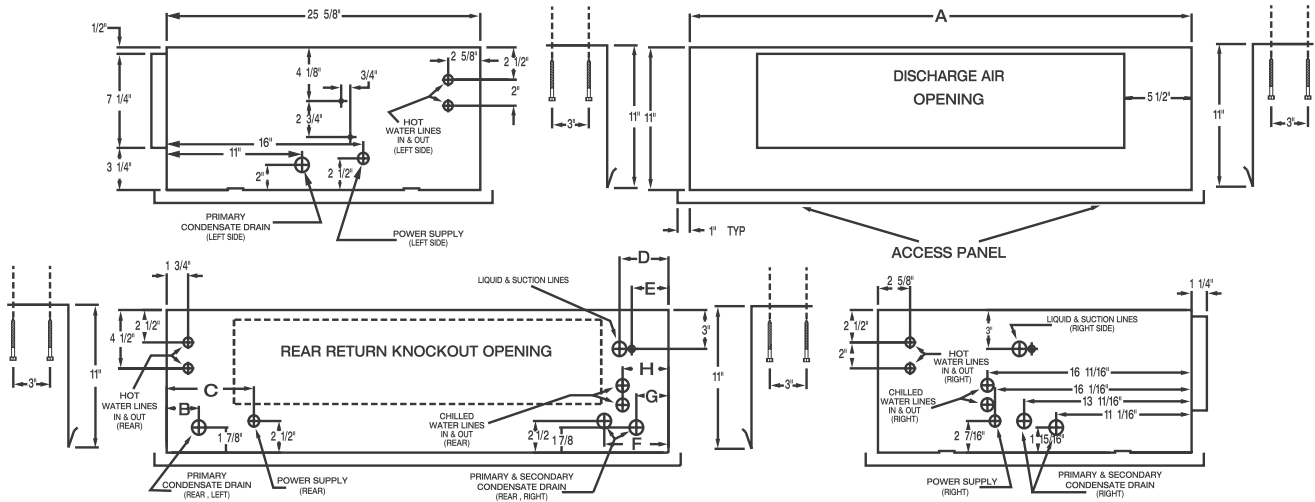


HORIZONTAL CEILING MOUNTED AIR HANDLER

SEHX/CEHX Direct Expansion Cooling Electric Heating
 SDXW/CDXW Direct Expansion Cooling Hot Water Heating
 SCWE/CCWE Chilled Water Cooling Electric Heating
 SCWW/CCWW Chilled Water Cooling Hot Water Heating

Dimensional Data:

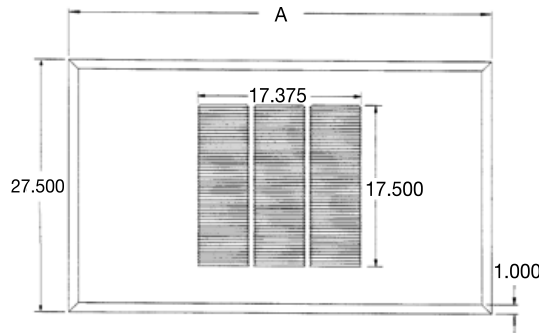
CASED AIR HANDLER



PHYSICAL DIMENSIONS								
MODEL	A	B	C	D	E	F	G	H
18 / 24	41"	2 5/8"	7 1/8"	4"	3"	5 1/4"	2 5/8"	3 3/4"
30	47"	2"	10 1/2"	2 1/2"	1 1/2"	4 5/8"	2"	2 11/16"
34 / 35	53 1/2"	3 1/4"	13 3/4"	3 1/4"	2 3/4"	5 7/8"	3 1/4"	3 15/16"
36 / 37	60 1/2"	3 1/4"	17 1/2"	3 1/4"	2 3/4"	5 7/8"	3 1/4"	3 15/16"

DISCHARGE AIR	
18/24	30" X 7 1/4"
30	38" X 7 1/4"
34/35	42" X 7 1/4"
36/37	49" X 7 1/4"

REAR RETURN KNOCKOUT OPENING	
18/24	30" X 6 1/2"
30	38" X 6 1/2"
34/35	42" X 6 1/2"
36/37	49" X 6 1/2"



Ceiling Access Panels:

Part Number	Frame Dimensions	Type	Fan Coil Model Number	Ship Wt.
CPL1	27-1/2 X 43	Louvered	12,18,19,24,25	18
CPNL1	27-1/2 X 43	Non-Louvered	12,18,19,24,25	18
CPL2	27-1/2 X 49	Louvered	30,31	20
CPNL2	27-1/2 X 49	Non-Louvered	30,31	20
CPL3	27-1/2 X 55-1/2	Louvered	34,35	21
CPNL3	27-1/2 X 55-1/2	Non-Louvered	34,35	21
CPL4	27-1/2 X 62-1/2	Louvered	36,37	22
CPNL4	27-1/2 X 62-1/2	Non-Louvered	36,37	22

All Technical Information Subject To Change Without Notice



Form: SEHX/070106-10

For more information contact Customer Service 817-624-0820

501 Terminal Road Fort Worth, Texas 76106 Ph. 817-624-0820 Fx. 817-624-8581



HORIZONTAL CEILING MOUNTED AIR HANDLER

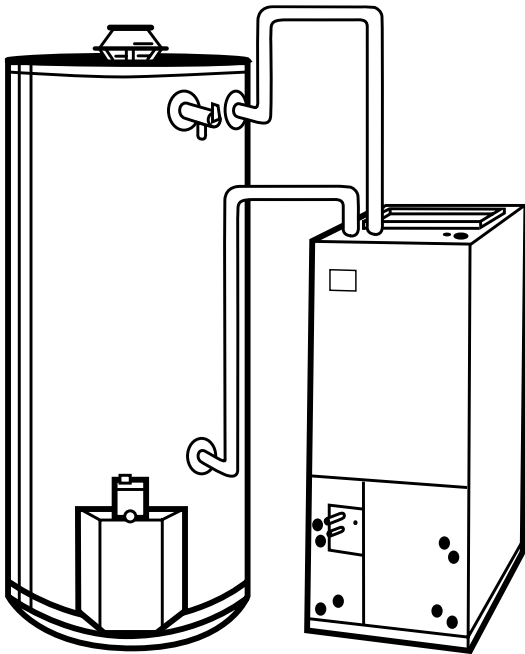
SEHX/CEHX Direct Expansion Cooling Electric Heating
 SDXW/CDXW Direct Expansion Cooling Hot Water Heating
 SCWE/CCWE Chilled Water Cooling Electric Heating
 SCWW/CCWW Chilled Water Cooling Hot Water Heating

HOT WATER HEATING CAPACITY (2 ROW HW COIL)

SDXW/CDXW SCWW/CCWW	Coil Rows	CFM	Heating GPM	PD Ft. Wt.	Heating Capacity @ E.W.T.			
					140°F	160°F	170°F	180°F
18	2	600	3.0	3.3	21,100	27,300	30,500	33,600
19	2	600	3.0	3.3	22,500	29,100	32,400	35,800
24	2	800	3.0	3.3	22,700	29,400	32,700	36,100
25	2	800	3.0	3.3	22,700	29,400	32,700	36,100
30	2	1000	3.0	3.7	27,800	36,000	40,100	44,300
31	2	1000	3.0	3.7	28,000	36,300	40,500	44,600
34	2	1200	3.0	3.7	29,600	38,300	42,700	47,100
35	2	1200	3.0	3.7	29,800	38,500	42,900	47,300
36	2	1200	3.0	4.2	31,800	41,200	45,900	50,600
37	2	1200	3.0	4.2	32,200	41,600	46,300	51,100

Operation of Air Handler W/ Hot Water Heat

Circulating pump and Air Handler blower are energized by conventional heating thermostat. Pump circulates hot water from hot water heater to heating coil in Air Handler and blower circulates warm air through the duct system. When thermostat is satisfied, pump and blower are de-energized.



TYPICAL INSTALLATION
 MULTI-POSITION AIR HANDLER SHOWN

Equipment Sizing

1. Calculate heat loss of structure by ACCA or ASHRAE load calculation method. Air Handler heating capacity should be equal to, or exceed load calculation.
2. Select a water heater whose BTUH input/recovery efficiency exceeds heating capacity of Air Handler.

Note: *The heating capacity of the Air Handler will not exceed the net output of the water heater.*

3. Air Handlers are capable of using hot water from other sources such as boilers as long as hot water does not exceed 180°F.
4. Call a SunTherm Distributor for assistance in sizing.

All Technical Information Subject To Change Without Notice



Form: SEHX/070106-11

For more information contact Customer Service 817-624-0820

501 Terminal Road Fort Worth, Texas 76106 Ph. 817-624-0820 Fx. 817-624-8581



**ACCESSORIES AND OPTIONS
ALL MODELS**

FIELD INSTALLED ACCESSORIES AND FACTORY INSTALLED OPTIONS

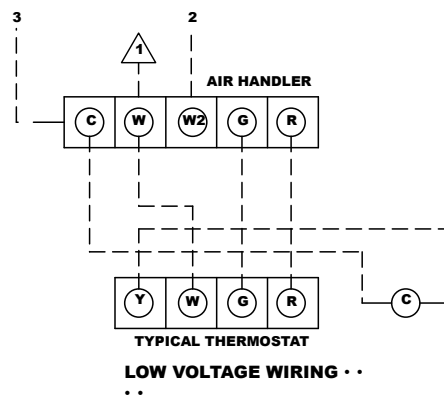
Thermal Expansion Valves (Factory or Field) All Units		Downflow Conversion Kits (Multi-Position)	
TXV3-A	Expansion valve 1.5-3.0 tons R-22	DFK41-10	Fits CA0XX820 coils
TXV3-B	Expansion valve 3.0-5.0 tons R-22	DFK41-12	Fits CA0XXA821,861 coils
TXV4-A	Expansion valve 1.5-3.0 tons R-410a	DFK41-14	Fits CA0XXA822,862,892 coils
TXV4-B	Expansion valve 3.0-5.0 tons R-410a	DFK15-16	Fits CA0XXA863 coils
		DFK15-18	Fits CA0XXA864,894 coils
	Specify Field or Factory Installed	DFK15-20	Fits CA0XXA865,895,695 coils

Hydronic Accessories All Units		Accessories for Dedicated Vertical/Wall Mount	
68AC002	Pump timer for hydronic coil pruge.	WPD02	Wall panel door for 02 models
RPA-01	Remote pump assembly 4 GPM 1/2"	WPD03	Wall panel door for 03 models
RPA-02	Remote pump assembly 4 GPM 3/4"	LCD02	Louvered coil door for 02 models
RPA-03	Remote pump assembly 7 GPM 3/4"	LCD03	Louvered coil door for 03 models
Deduct available to remove pump for boiler loop applications.		BRP02	Bottom return air panel for 02 model
		BRP03	Bottom return air panel for 03 models
		WB	Wall Mounting Brackets

Field Installed Electric Heaters "S41" Multi-Position		Accessories For Furr Down Horizontal	
S41HK-03	3 KW without breaker	CPL1	Louvered Access Panel (18,19,24)
B41HK-03	3 KW with breaker	CPNL1	Non-louvered Access Panel (18,19,24)
S41HK-05	5 KW without breaker	CPL2	Louvered Access Panel (25,30,31)
B41HK-05	5 KW with breaker	CPNL2	Non-louvered Access Panel (25,30,31)
S41HK-06	6 KW without breaker	CPL3	Louvered Access Panel (34,35)
B41HK-06	6 KW with breaker	CPNL3	Non-louvered Access Panel (34,35)
S41HK-08	8 KW without breaker	CPL4	Louvered Access Panel (36,37)
B41HK-08	8 KW with breaker	CPNL4	Non-louvered Access Panel (36,37)
S41HK-10	10 KW without breaker	TDR	Time Delay Relay
B41HK-10	10 KW with breaker		
B41HK-12	12 KW with breaker		

Field Installed Electric Heaters "S15" Multi-Position	
S15HK-05	5 KW without breaker
B15HK-05	5 KW with breaker
S15HK-06	6 KW without breaker
B15HK-06	6 KW with breaker
S15HK-08	8 KW without breaker
B15HK-08	8 KW with breaker
S15HK-10	10 KW without breaker
B15HK-10	10 KW with breaker
B15HK-12	12 KW with breaker
B15HK-15	15 KW with breaker
B15HK-20	20 KW with breaker

Typical Thermostat Wiring



All Technical Information Subject To Change Without Notice



Form: -SEHX/070106-12

For more information contact Customer Service 817-624-0820

501 Terminal Road Fort Worth, Texas 76106 Ph. 817-624-0820 Fx. 817-624-8581