



Air Conditioning & Heating

# GPC13H

## 2- TO 5-TON PACKAGED AIR CONDITIONER 13 SEER

**COOLING CAPACITY: 24,000 - 57,500 BTU/H**

### Contents

Nomenclature .....	2
Accessories .....	2
Product Specifications .....	3
Expanded Cooling Data .....	4
Airflow Data .....	16
Heater Kit Specifications .....	17
Dimensions .....	18
Wiring Diagrams .....	19



### Standard Features

- Energy-efficient compressor with internal relief valve
- PSC blower motor; ECM blower motor on 5-ton units
- Quiet horizontal discharge
- Copper tube / aluminum fin condenser coil
- Totally enclosed, permanently lubricated condenser fan motor
- Fully charged system
- 5 kW to 20 kW electric heat kits available as field-installed accessories
- AHRI Certified; ETL Listed

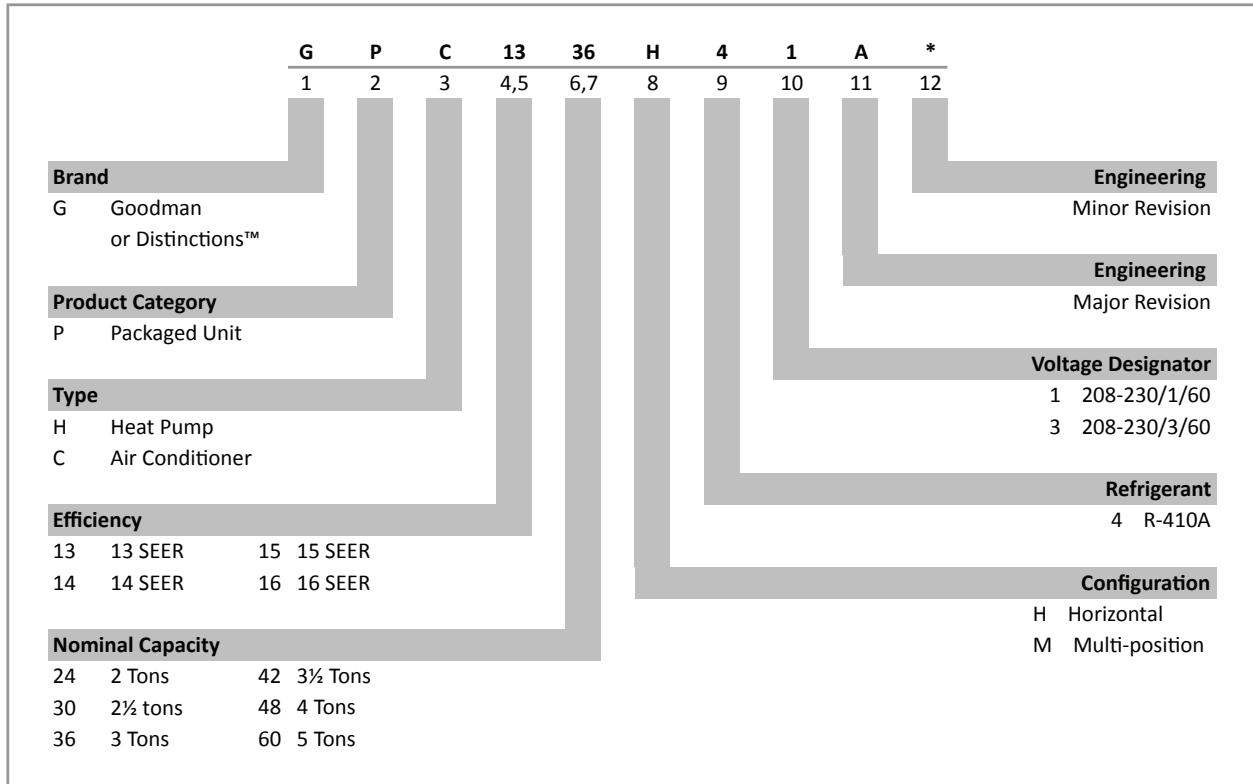
### Cabinet Features

- Heavy-gauge galvanized-steel cabinet with attractive Architectural Gray powder-paint finish
- Fully insulated blower compartment with convenient access panels
- Louvered condenser coil protection
- One footprint; three heights



\* Complete warranty details available from your local dealer or at [www.goodmanmfg.com](http://www.goodmanmfg.com). To receive the 10-Year Parts Limited Warranty, online registration must be completed within 60 days of installation. Online registration is not required in California or Quebec.

NOMENCLATURE



ACCESSORIES

ACCESSORY DESCRIPTION	ITEM NUMBER	
	SMALL CHASSIS	MEDIUM/LARGE CHASSIS
Downflow Economizer	PCE101-103	PCE101-103
Downflow Plenum Kit	PCP101-103	PCP101-103
Downflow Plenum Kit (R-8)	PCP101-103 R8	PCP101-103 R8
Elbow Flashing w/ R-8 Liner	PCEF101-103	PCEF101-103
Emergency Heat Relay	OT/EHR18-60	OT/EHR18-60
External Horizontal Filter Rack	GPGHFR101-103	GPGHFR101-103
Horizontal Economizer	PEHH101-103	PEHH101-103
Manual Damper	PCMD101-103	PCMD101-103
Manual Damper- Horizontal Application	PCMDH101-103	PCMDH101-103
Motorized Damper	PCMDM101-103	PCMDM101-103
Outdoor Thermostat w/ Lockout Stat	OT18-60A	OT18-60A
Roof Curb	PCCP101-103	PCCP101-103
Square-to-Round	SQRPC101	SQRPC102/103
Square-to-Round for Horizontal Application	SQRPCH101	SQRPCH102/103

**SPECIFICATIONS**

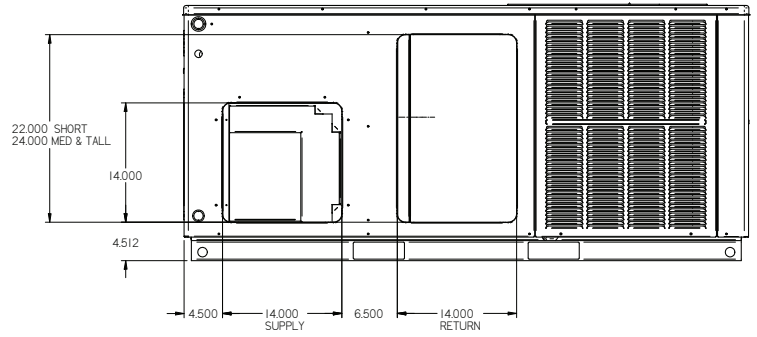
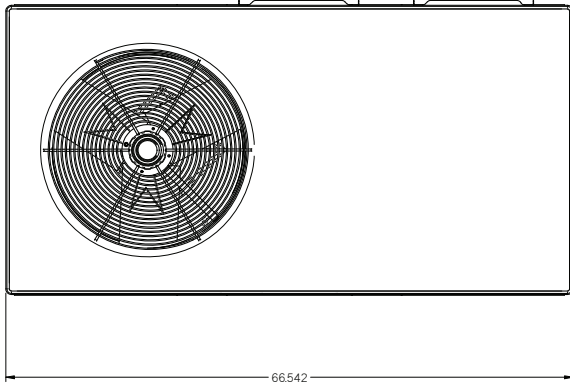
	<b>GPC13 24H41C*</b>	<b>GPC13 30H41C*</b>	<b>GPC13 36H41C*</b>	<b>GPC13 42H41C*</b>	<b>GPC13 49H41C*</b>	<b>GPC13 60H41D*</b>
<b>COOLING CAPACITY</b>						
Total BTU/h	22,800	28,600	36,000	41,000	45,500	57,500
Sensible BTU/h	17,100	22,700	26,000	31,600	34,700	43,000
SEER / EER	13.0 / 11.0	13.0 / 11.0	13.0 / 11.0	13.0 / 11.0	13.0 / 11.0	13.0 / 11.0
Decibels	76	76	78	78	80	80
AHRI #	5732582	5677879	5677880	5677881	5677883	5677884
<b>EVAPORATOR MOTOR</b>						
Type	PSC	PSC	PSC	PSC	PSC	EEM
Wheel (D x W)	9 x 6	9 x 6	9 x 8	10 x 8	10 x 8	11 x 8
Nominal Cooling CFM	850	1,050	1,200	1,400	1,600	1,900
RLA / LRA	1.5 / 2.2	1.86 / 3.2	1.86 / 3.2	2.87 / 4.9	2.87 / 4.9	5.8 / 8.0
No. of Speeds	3	3	3	3	3	3
Horsepower - RPM	¼ - 952	⅓ - 1,020	⅓ - 1,020	½ - 1,005	½ - 1,005	¾ - 1,250
<b>EVAPORATOR COIL</b>						
Face Area (ft <sup>2</sup> )	4.66	4.66	5.25	6.20	6.20	7.00
Rows Deep / Fins per Inch	3 / 14	3 / 14	3 / 14	4 / 14	4 / 14	4 / 14
Filter Size (")	20 x 20 x 1	20 x 25 x 1	25 x 25 x 1	(2) 20 x 20 x 1	(2) 20 x 20 x 1	(2) 20 x 25 x 1
All-Aluminum Coil	X	X	X	X	X	X
Drain Size (NPT)	¾"	¾"	¾"	¾"	¾"	¾"
Refrigerant Charge (oz.)	62	62	61	88	80	93
<b>CONDENSER FAN / COIL</b>						
Horsepower - RPM	⅓ - 815	⅓ - 815	¼ - 830	¼ - 1,075	¼ - 1,075	¼ - 1,075
RLA / LRA	1.1 / 1.7	1.1 / 1.7	1.5 / 3.0	1.4 / 2.9	1.4 / 2.9	1.4 / 2.9
Fan Diameter / # Fan Blades	22 / 2	22 / 2	22 / 4	22 / 4	22 / 4	22 / 4
Face Area (ft <sup>2</sup> )	12.3	12.3	12.3	16	16	19.5
Rows Deep / Fins per Inch	1 / 26	1 / 26	1 / 26	1 / 28	1 / 28	1 / 28
<b>COMPRESSOR</b>						
Quantity / Type	1 / Rotary	1 / Scroll	1 / Scroll	1 / Scroll	1 / Scroll	1 / Scroll
Stage	Single	Single	Single	Single	Single	Single
Compressor RLA / LRA	7.7 / 37	12.8 / 64	16.7 / 79	17.9 / 112	19.9 / 109	26.4 / 134
<b>ELECTRICAL DATA</b>						
Voltage-Phase (60 Hz)	208/230-1	208/230-1	208/230-1	208/230-1	208/230-1	208/230-1
Indoor Blower FLA	1.5	1.86	1.86	2.87	2.87	5.8
Outdoor Fan RLA	1.1	1.1	1.5	1.4	1.4	1.4
Total Unit Amps	10.3	15.76	20.06	22.2	24.17	33.6
Min. Circuit Ampacity <sup>1</sup>	12.2	19	24.2	26.6	29.2	40.2
Max. Overcurrent Protection (amps) <sup>2</sup>	15	30	40	40	45	60
<b>SHIP WEIGHT (LBS)</b>	305	305	320	375	375	375

<sup>1</sup> Wire size should be determined in accordance with National Electrical Codes. Extensive wire runs will require larger wire sizes.

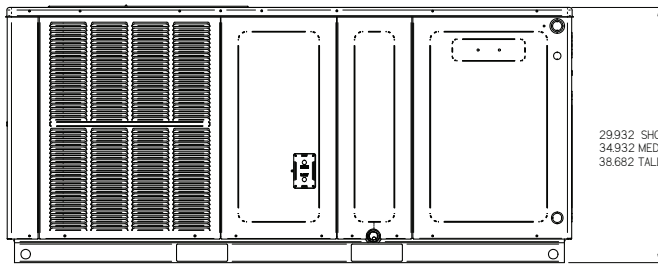
<sup>2</sup> May use fuses or HACR-type circuit breakers of the same size as noted.

Note: Always check the S&R plate for electrical data on the unit being installed.

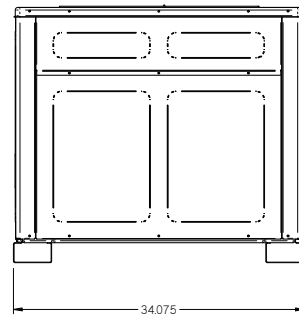
DIMENSIONS



BACK VIEW  
(DUCT OPENINGS)



29.932 SHORT CHASSIS  
34.932 MEDIUM CHASSIS  
38.682 TALL CHASSIS



MODEL	DIMENSIONS			CHASSIS SIZE		
	W"	D"	H"	SMALL	MED.	LARGE
GPC1324H41**	66½	34	30	X		
GPC1330H41**	66½	34	30	X		
GPC1336H41**	66½	34	35		X	
GPC1342H41**	66½	34	35		X	
GPC1349H41**	66½	34	35		X	
GPC1360H41**	66½	34	38⅔			X