

## clearcurrent® SmartParts

### KEY BENEFITS

- 4H, 5H or 6H options, depending on inlet house size
- Pressure certifications: PED and ASME compliance
- CE-certified components
- IEC specifications/requirements
- Work specifically with self-cleaning (pulse) inlet systems

### Items included:

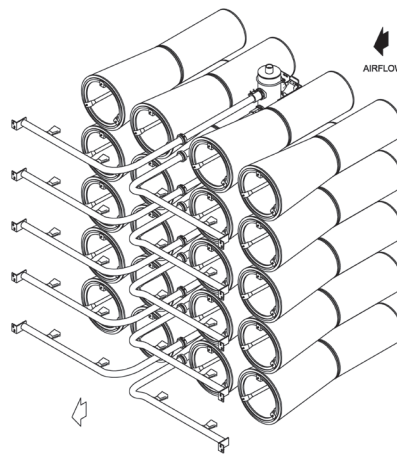
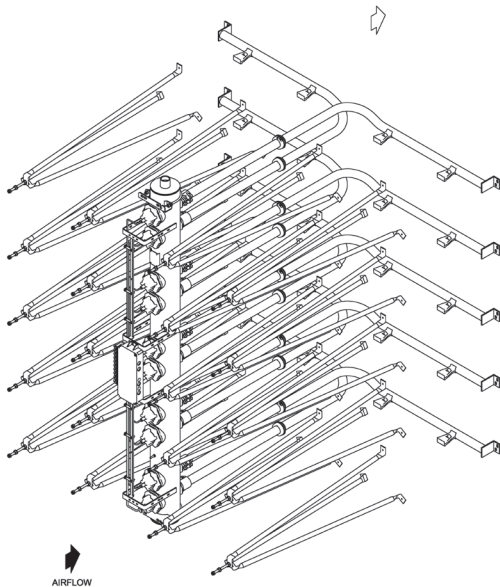
- Pulse headers (5H and/or 6H)
- Header couplings and plugs
- Blowpipes and nozzles
- Tripods
- Controller

### High Performance Filtration from the Gas Turbine Specialists

CLARCOR Industrial Air filtration products offer extremely high levels of turbine protection in a wide range of environments with its selection of inlet system components and filters. CLARCOR Industrial Air's expertise in gas turbine design has influenced the development of these intelligent inlet house components. Available in 4 Filter High, 5 Filter High or 6 Filter High header sizes, clearcurrent SmartParts are designed to work with CLARCOR Industrial Air self-cleaning gas turbine inlet houses.

### Intelligent Pulsing Restores Inlet System Levels

The clearcurrent SmartParts work by delivering a blast (or pulse) of compressed air through blowpipes installed in the inlet house. This blast pulses dust off the installed cartridge filters and restores differential pressure to regular operating levels. They are specifically designed to work with self-cleaning systems, and are intended for dusty environments.



**How it works:**  
compressed air enters the header, and when the valves are opened, the air is moved through the blowpipes and discharged from the nozzles, causing a pulsing of the installed filters and restoring the inlet system to normal operating dP levels.

For more information, contact your clearcurrent representative at **CLARCOR Industrial Air:**

11501 Outlook Street, Suite 100 | Overland Park, KS 66211  
T: +1.800.821.2222 | T: +1.816.356.8400 | F: +1.816.353.1873

3 Omega Park | Alton, GU34 2QE | United Kingdom  
T: +44 (0) 1420 541188 | F: +44 (0) 1420 541298  
Email: [filtration@clarcor.com](mailto:filtration@clarcor.com)

**CLARCOR**  
Industrial Air