

SR20 Stainless Steel Steam Boiler Series



Features

- Miniature boiler
- Maximum safety valve setting 100psi
- All boilers are manufactured in accordance with the requirements of the A.S.M.E. Boiler and Pressure Vessel Code and A.S.M.E. CSD-1. Each boiler bears the National Board stamp "M".
- Dry pure saturated steam, operating pressure range 0 – 85psig
- Heavy duty 304 or 316 stainless steel pressure vessel. Vessel jacket and electrical enclosure 304 stainless
- Pacified pressure vessel and heating elements
- Large selection of optional equipment

Applications

- Clean Steam Generator for Autoclaves
- Ultra Pure Steam for Medical Research, Pharmaceutical and Cosmetics
- Pure Steam Humidifier
- Steam Sterilizing
- Food Service
- Laboratories

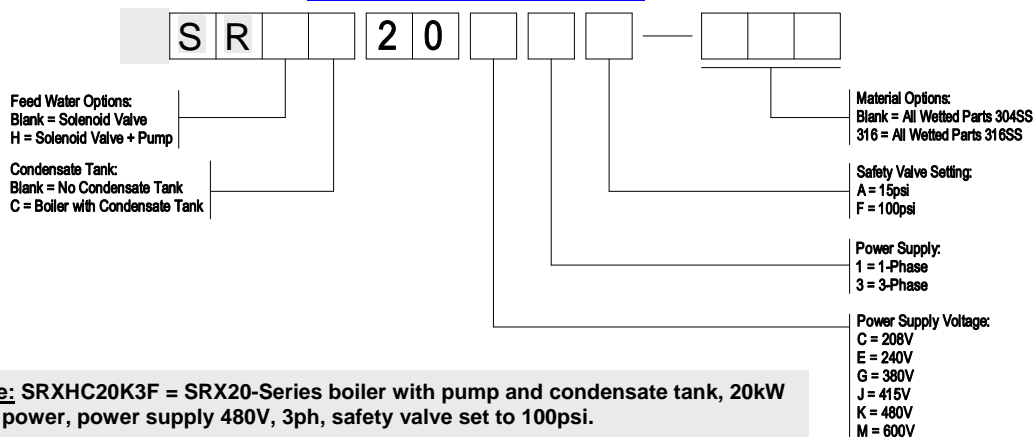
DEIONIZED WATER: ASME (PEB 5.3) requires that; boilers constructed of austenitic stainless steel be operated on deionized water only, having a minimum specific resistivity of 1 megohm/cm.

Standard equipment of each boiler includes: Low water cutoff control with manual reset, high pressure cutoff control with manual reset, one (1) operating pressure control, gauge glass set, pressure gauge and safety valve.

SR20 SERIES LOW & HIGH PRESSURE STEAM BOILERS									
KW	LB/HR	BHP	VOLTAGE*	PHASE	SHIP WT. LB	OP. PRESS. RANGE	MBTU/HR	Steam Outlet (NPT)	
								LP	HP
20 KW	69	2.0	240	1	249	0-85 PSIG	67	1/2	1/2
20 KW	69	2.0	208/240/380/415/480/600	3	249	0-85 PSIG	67	1/2	1/2

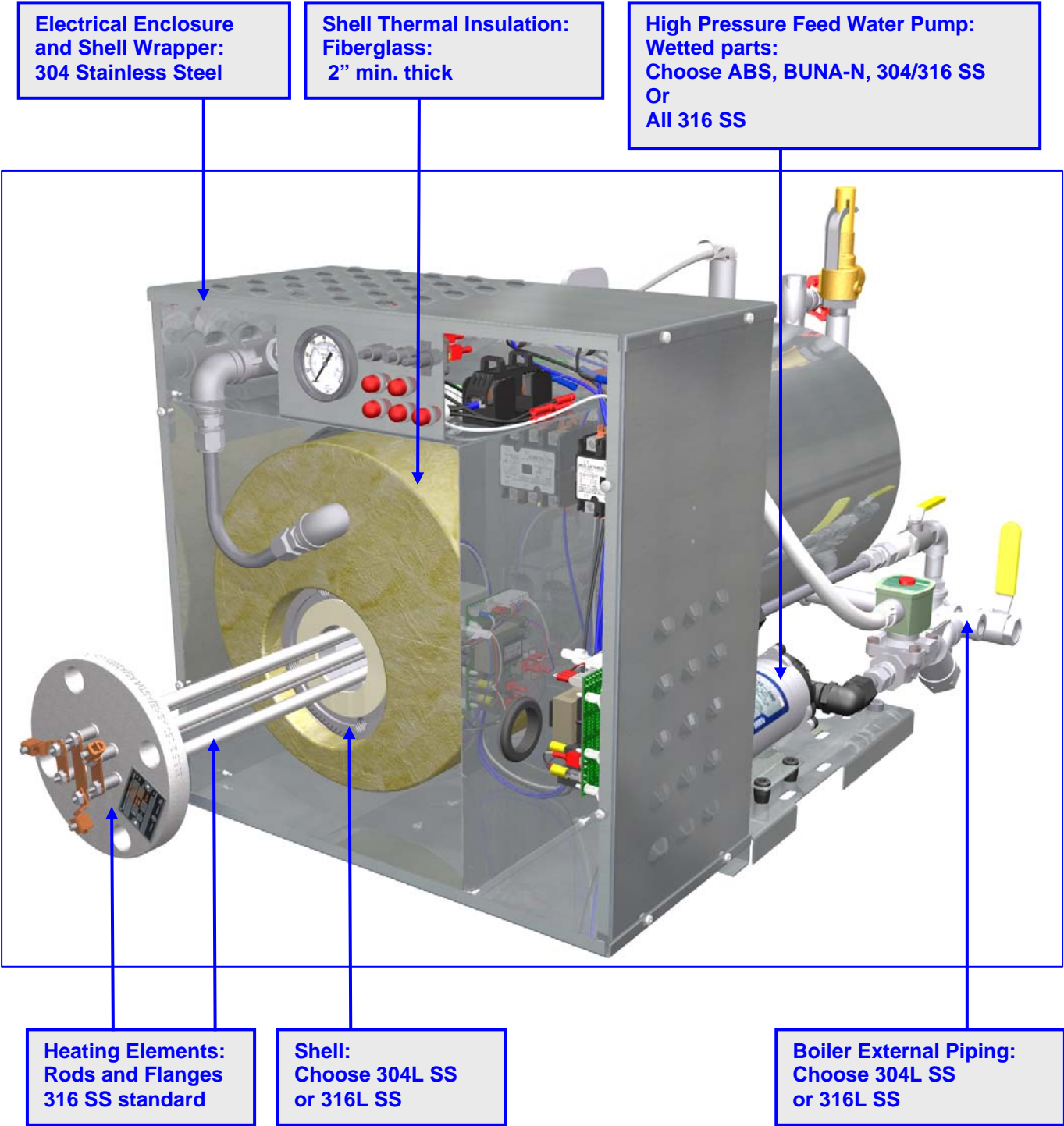
* Each boiler model requires two (2) power supplies: Primary heating power and secondary control voltage. Nominal control voltage is 120V, 50/60Hz. When boiler equipped with transformer option, only heating power supply required. When boiler is equipped with transformer option, only heating power supply required.

Model Number Key



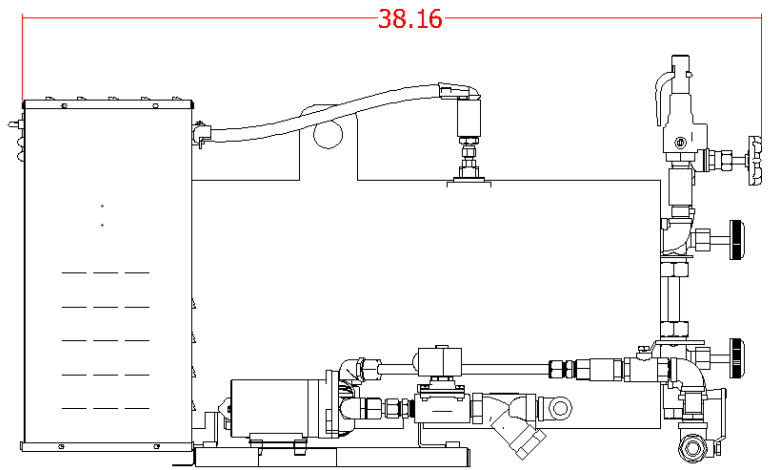
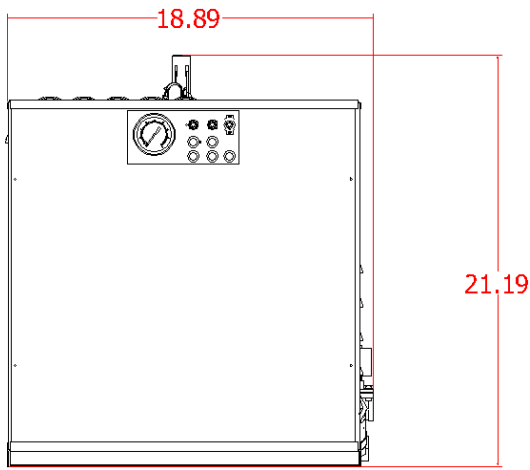
Example: SRXHC20K3F = SRX20-Series boiler with pump and condensate tank, 20kW heating power, power supply 480V, 3ph, safety valve set to 100psi.

Construction

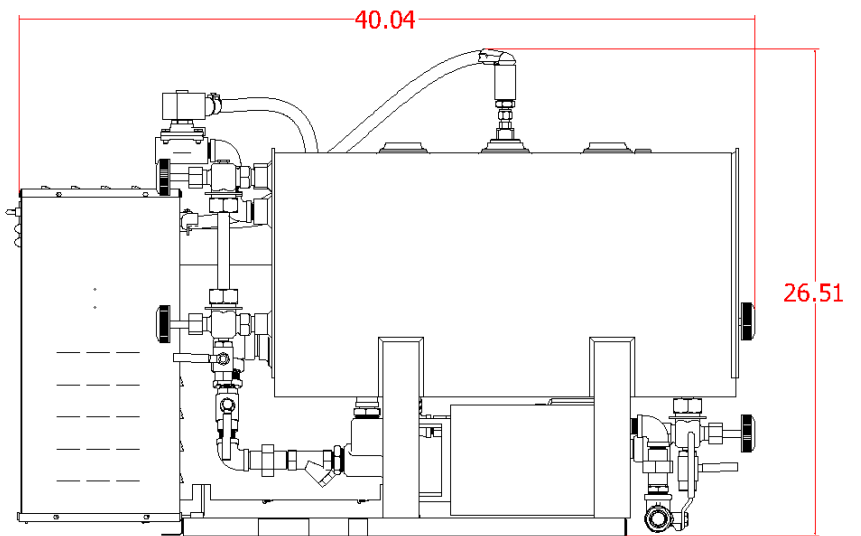
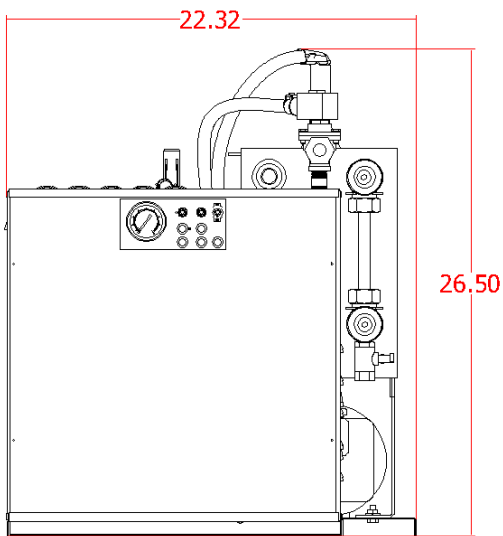


Overall Dimensions

SR20/SRH20 – Models

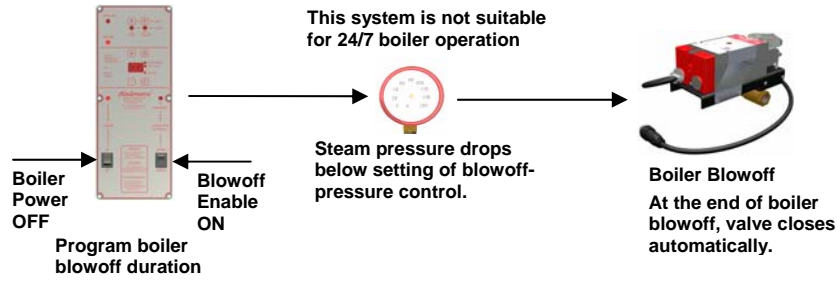


SRXHC20 – Models

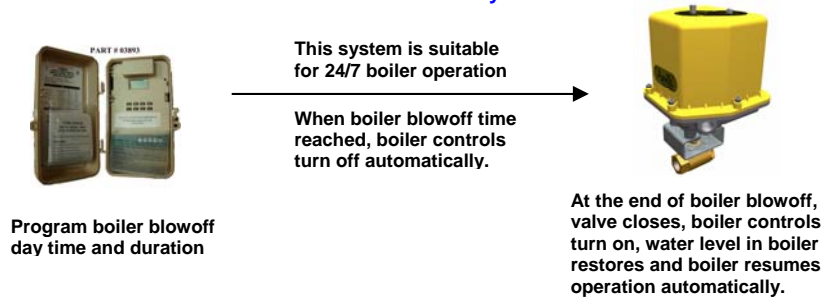


Optional Equipment

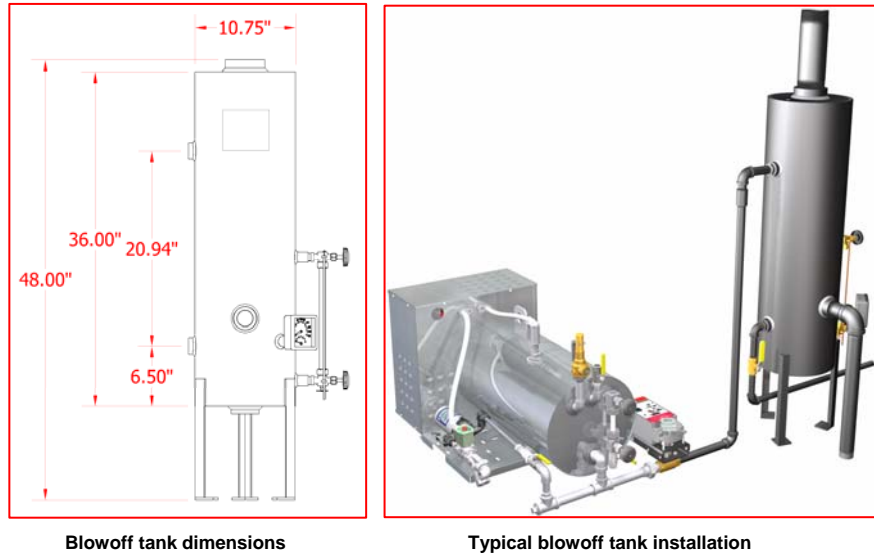
1. #OPT1016 : Automatic Flush & Drain Pressure Controlled Boiler Blowoff System



2. #OPT1001: Timer Controlled Boiler Blowoff System



3. #BTANK-10: Blowoff Tank



4. Control Voltage Transformer. When using this option, only main power supply required to operate boiler.

Boiler Voltage	Transformer Option Part Number	
	Boiler Model	
	SRX20/SRXH20 - Models	SRXHC20 - Models
208V	OPT1009 - 208RBH	OPT1011 - 208RBHC
240V	OPT1009 - 240RBH	OPT1011 - 240RHHC
380V	OPT1009 - 380 - 415RBH	OPT1011 - 380 - 415RBHC
415V	OPT1009 - 380 - 415RBH	OPT1011 - 380 - 415RBHC
480V	OPT1009 - 480RBH	OPT1011 - 480RBHC
600V	OPT1009 - 600RBH	OPT1011 - 600RBHC

5. #OPT1012-SS Auxiliary Low Water Cut-Off:

6. Timer Controlled Boiler On/Off, #OPT1017

