

Iridium[®] Rod Antenna



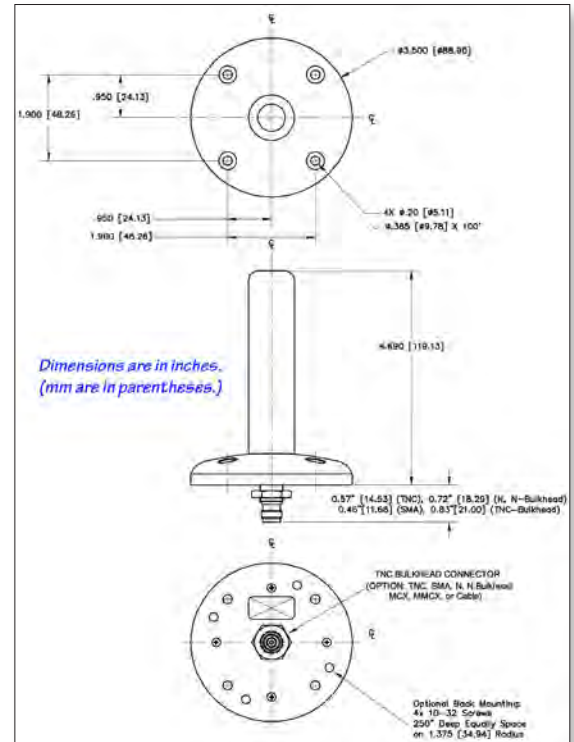
Overview

The Iridium[®] Satellite Rod Antenna, passive L-band, is designed to operate with satellite modems and trackers. It provides continuous coverage from 1610 to 1626.5 MHz specifically for the Iridium[®] Network. Suitable for harsh environments & long term operation, it is also UV, impact, chemical & jet fuel resistant.

SPECIFICATIONS							
<i>Specifications subject to change without notice</i>							
MECHANICAL							
Dimensions	3.5" D x 4.69" H (8.89 cm x 11.91 cm)						
Weight	5.15 oz. (146 g)						
Finish	Skydrol Resistant Polyurethane Enamel and Base Iridite Per MIL-C-5441						
Color	Gloss White, Lusterless Gray, Olive Drab, Green, Lusterless Black						
Connector	TNC Female Connector (Option: TNC, SMA, N, N Bulkhead, MCX, MMCX or Cable)						
Material	6061-T6 Aluminum Alloy Base; Composite Radome						
ENVIRONMENTAL							
Operating Temperature	-67°F to +185°F (-55°C to +85°C)						
Operating Altitude	70,000 ft (21 km)						
Vibration	> 30 G's						
Leakage	Hermetically Sealed						
ELECTRICAL							
Frequency	1610 to 1626.5 MHz						
Radiation Pattern	Hemispherical						
Polarization	Right Hand Circular						
VSWR	Less than 1.5:1						
Gain (dB)	<table border="0" style="width: 100%;"> <tr> <td style="width: 50%;">90° Zenith +1.9</td> <td style="width: 50%;">10° Elevation 0.0</td> </tr> <tr> <td>20° Elevation +0.9</td> <td>30° Elevation +1.6</td> </tr> <tr> <td>45° Elevation +2.0</td> <td>70° Elevation +2.0</td> </tr> </table>	90° Zenith +1.9	10° Elevation 0.0	20° Elevation +0.9	30° Elevation +1.6	45° Elevation +2.0	70° Elevation +2.0
90° Zenith +1.9	10° Elevation 0.0						
20° Elevation +0.9	30° Elevation +1.6						
45° Elevation +2.0	70° Elevation +2.0						
Axial Ratio	2 dB						
Lightning Protection	DC Grounded						
Cable Loss between Antenna & Modem	Must be kept <3 dB						
Designed To: FAA TSO-C144, DO-160D, DO-228, MIL-C-5541, MIL-E-5400, MIL-I-45208A, MIL-STD-810 and SAE J1455							
ORDERING							
1292-1031-T-G	Iridium Helix Antenna, TNC, Green						
1291-1031-T-W	Iridium Helix Antenna, TNC, White						
ACCESSORIES							
1291-1031-BKT	Iridium Helix Antenna Mounting Bracket						



Available in Green or White



Mounting Bracket