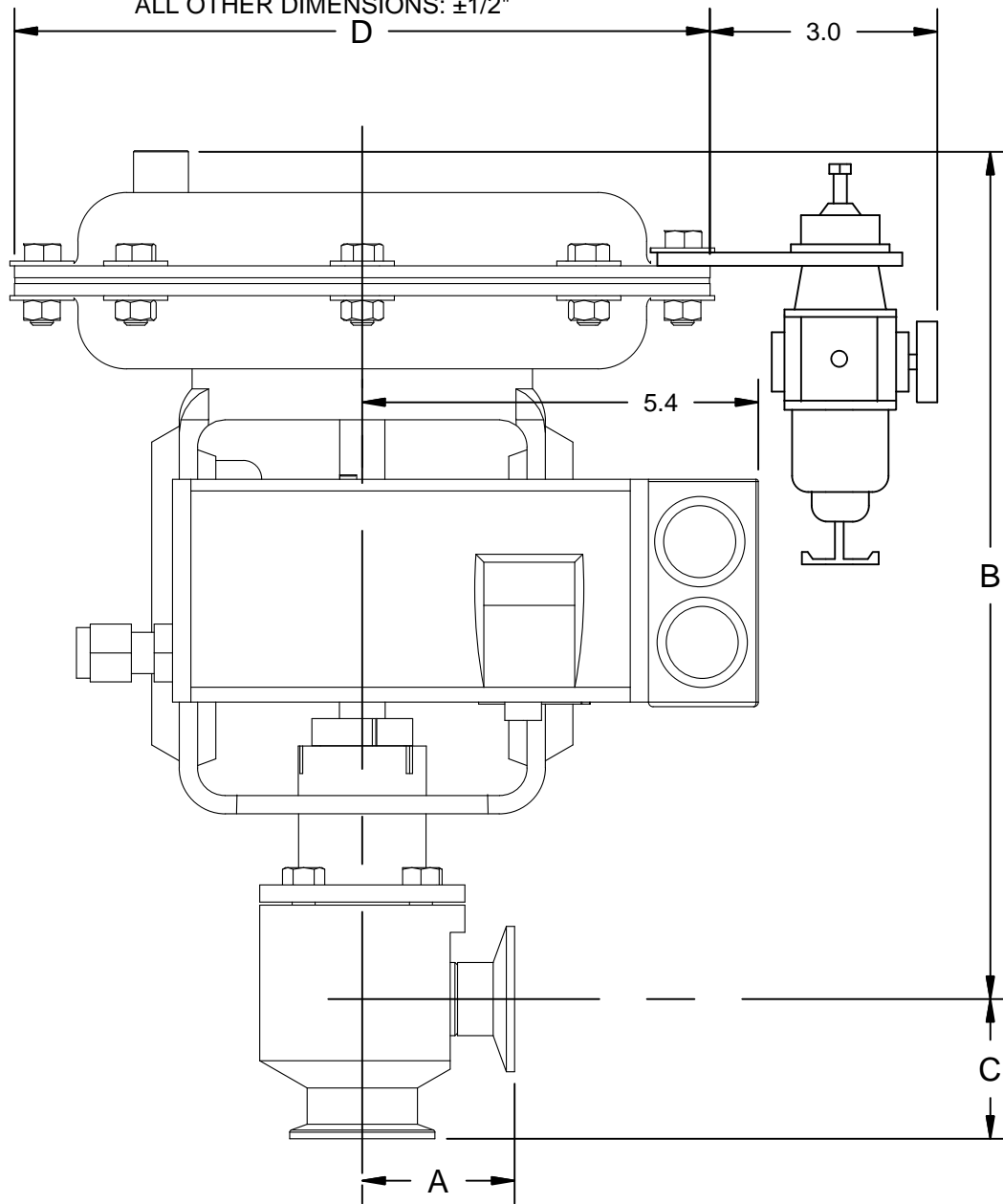


TOLERANCES

BWE, FE, TRI-C & TUBE END F-F DIM ARE $\pm 1/16"$

ALL OTHER DIMENSIONS: $\pm 1/2"$



VALVE SIZE	DIMENSIONS				Wt. lbs.
	A	B	C	D	
1/2"	2.08	11.94	1.91	9.50(35M)	35(35M)
				12.50(55M)	50(55M)
3/4"	2.08	11.94	1.91	9.50(35M)	35(35M)
				12.50(55M)	50(55M)
1"	2.08	11.94	1.91	9.50(35M)	35(35M)
				12.50(55M)	50(55M)
1 1/2"	3.08	15.00	3.30	12.50(55M)	55(55M)
				15.00(85M)	65(85M)
2"	3.08	15.00	3.30	12.50(55M)	55(55M)
				15.00(85M)	65(85M)

SPECIFICATION DATA

CUSTOMER _____

ORDER No. _____ SERIAL No. _____

TAG No. _____

VALVE TYPE _____ QTY. _____

BODY _____

END CONN. _____

INLET PRESS. _____ MAX. ΔP _____

CONTROL RANGE _____

VALVE ACTION: RISE IN SIGNAL TO OPEN CLOSE

VALVE SEAT _____ Cv _____

MISC. _____

CERTIFIED _____ DATE _____



1/2" - 2" MK978SP SANITARY CONTROL VALVE
 35M/55M/85M ACTUATOR
 SST W/TRI-CLAMP ENDS, 16IQ, AIR REG

DRAWN BY	DATE
JLM	8/11/08
CHECKED BY	DATE

MK978SP-16IQ