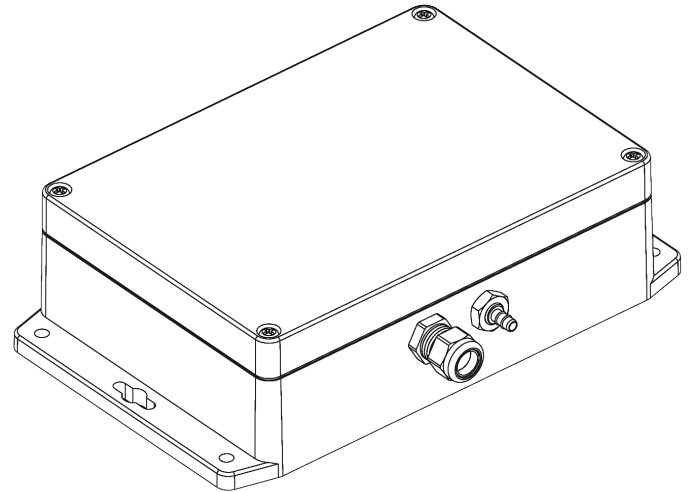


# Accubar® SDI-12 AWOS Barometric Pressure Sensor Model 5600-0122



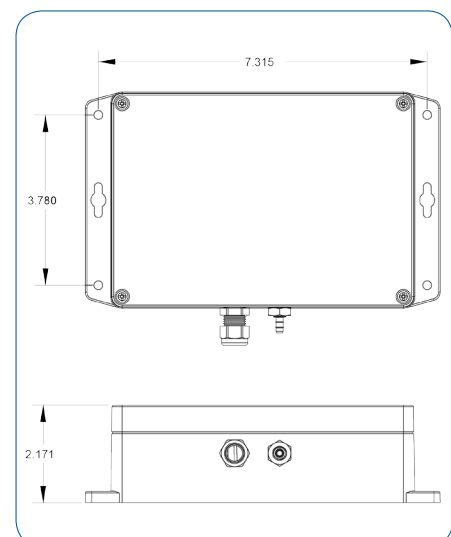
## Features

- ▶ Low power design makes it ideally suited for remote monitoring applications.
- ▶ Includes 2 or 3 transducers for redundancy
- ▶ Capable of operating at elevations of 2300 feet below sea level to 18,300 feet above sea level
- ▶ Wide temperature range -40°C to +60°C
- ▶ Low power consumption
- ▶ Solid state construction
- ▶ Low cost
- ▶ SDI-12 output
- ▶ Established reliability and stability
- ▶ Sealed NEMA-4 enclosure



SPECIFICATIONS	
Subject to change without notice	
Range	500 to 1100mB (hPa) 14.8 to 32.5 in. Hg
Elevation	2,300 to 18,300 feet (-700 to 5,600 meters)
Accuracy	0.2 mB (hPa) @ 20°C Additional 0.1 mB over the temperature range Higher accuracies available upon request.
Resolution	Better than 0.01mB
Averaging Time	0 to 120 seconds (user selectable)
Temperature Range	-40°C to +60°C
Power Consumption	
Supply Power	+8 to +16 VDC (reverse polarity protected)
Standby	<0.1 mA
Measuring	<4 mA
Output	SDI-12 V1.3
Pressure Units	mB, hPa, kPa, in. Hg, mm Hg, ATM, psi, user specified
Pressure Fitting	Hose barb for 3/16 in. ID hose
Cable Fitting	Cable gland for 0.12" to 0.26" diameter cable
Supplied Cable	3 feet
<b>DIMENSIONS</b>	<i>Excluding cable gland &amp; hose barb</i>
Height	2.2 in. (6.7 cm)
Length	7.9 (20.1 cm)
Width	4.8 in. (12.2 cm)
Weight	1.26 lbs. (.6 Kg)

ORDERING	
Part #	Description
5600-0122-2A	SDI-12 Barometer, 0.2 mB @ 20°C with 2 transducers
5600-0122-3A	SDI-12 Barometer, 0.2 mB @ 20°C with 3 transducers
Accessories	
5600-0121	Barometer Pressure Port
SHIPPING	
Shipping Height	2.7 in. (6.9 cm)
Shipping Length	12 in. (30.5 cm)
Shipping Width	8 in. (20.3 cm)
Shipping Weight	3 lbs. (1.4 Kg)



# Accuracy Specifications Comparison

