

Manually Operated 2/2 Way Forged Diaphragm Valve

3233

1/2" - 2", 0-145 PSI

- Hermetic separation of fluids from operator
- Standard and customized variations available quickly
- Certifications for hygienic processing applications

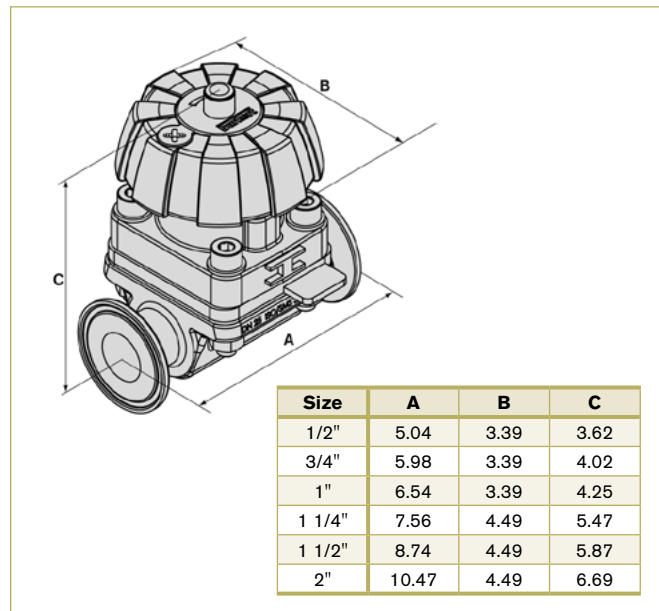


Hand operated diaphragm valve designed specifically for 3A / FDA compliant bioprocessing tasks. The forged 316L stainless steel body can be delivered with your specific surface finish with a range of diaphragm materials to suit positive control of ultra-pure, abrasive and aggressive fluids. The diaphragm type valve is preferred in these applications due to its favorable flow characteristics, its cleanability and its zero dead volume design.

Technical Data

Pressure range	0-145 PSI, Max.
Temperature media	-14 °F ... +212 °F
Ambient temperature	131 °F, Max.
Body material	Forged 316L ASME BPE specification
Internal finish	20Ra (internal)
External finish	Ra = 0.8 (external)
Seal material	EPDM, PTFE/EPDM (FKM on request)
Handwheel / Bonnet	PPS / PPS
Process connection	Hygienic clamp or OD Tube
Length	BPE (long or short)

Envelope Dimensions [inch] (see datasheet for details)



Options

- All mechanical and electropolished finishes a standard
- Pneumatic actuation (see page 53)
- Feedback switches
- Locking function
- Other configurations
- Multi-port valve blocks
- CRN Approval with stainless flange

Ordering chart

Size	Orifice [mm]	PSI (EPDM)	PSI (PTFE)	CV	Clamp (EPDM)	Clamp (PTFE)	OD tube (EPDM)	OD tube (PTFE)
1/4"	8mm	150	150	0.8	445 858	445 823	447 935	447 955
3/8"	10mm	150	150	0.8	445 863	445 828	447 940	447 960
1/2"	15mm	150	150	6.9	445 868	445 833	445 573	445 608
3/4"	20mm	150	150	13.9	445 873	445 838	445 578	445 613
1"	25mm	150	110	18.5	445 878	445 843	445 583	445 618
1 1/2"	40mm	150	150	33.5	445 883	445 848	445 588	445 623
2"	50mm	101	101	62.4	445 888	445 853	445 593	445 628
2 1/2"	50mm	101	101	62.4	551 454	551 460	224 070	551 115
3"	80mm	72	72	185.0	551 347	551 377	449 821	550 633
4"	100mm	72	72	306.4	224 076	224 077	449 822	550 634