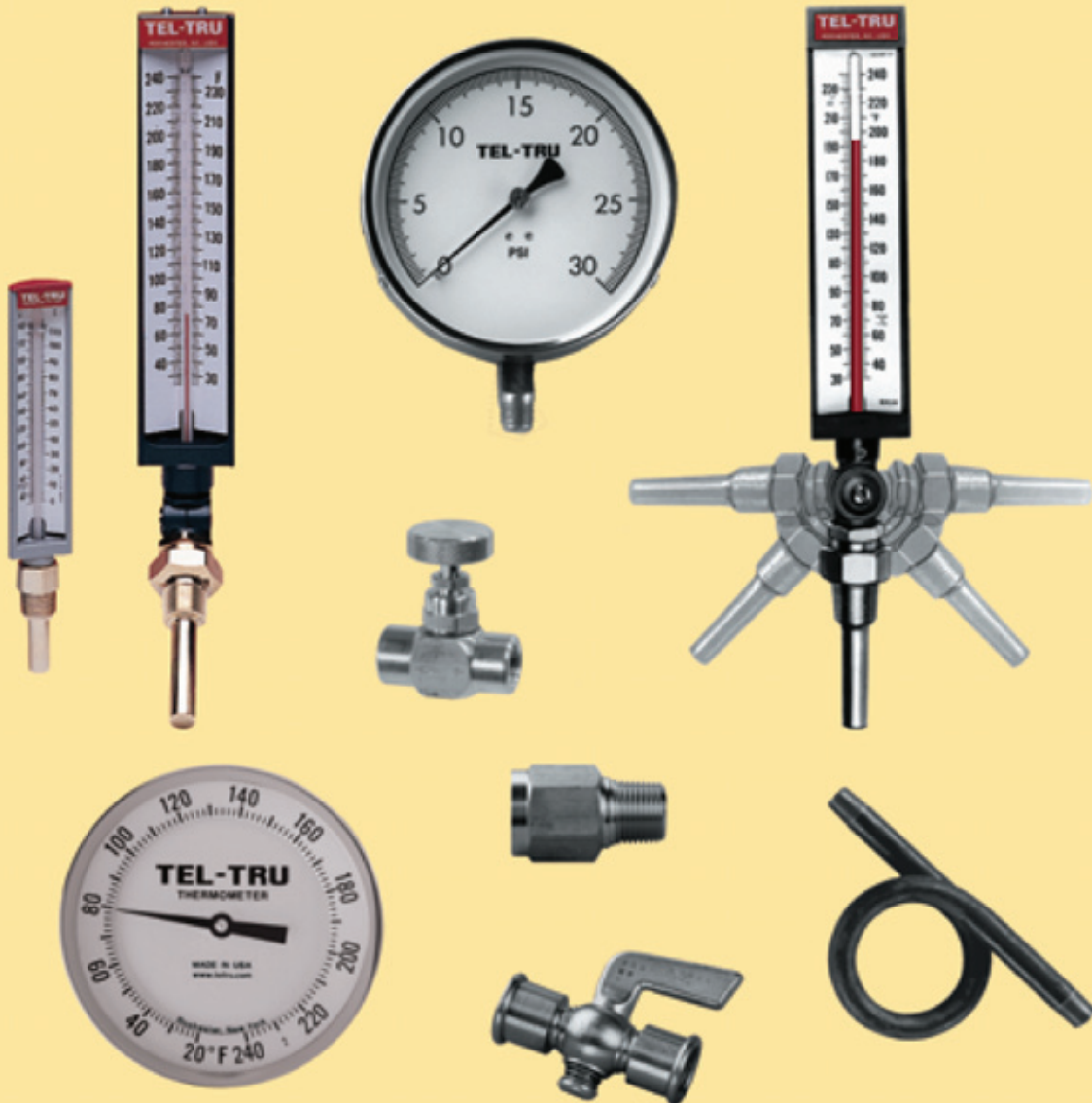




# TEL-TRU MANUFACTURING COMPANY HVAC INSTRUMENTS

*Temperature and Pressure Measurement for HVAC  
Applications and Mechanical Contractors*



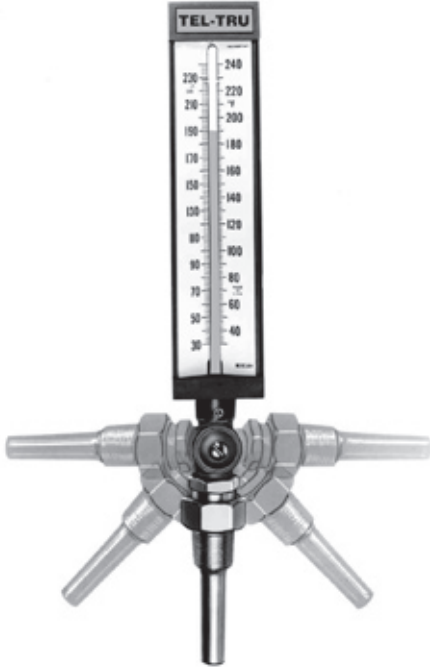
*World-Class Thermometers*

*Since  
1916*

[www.teltru.com](http://www.teltru.com)

# ADJUSTABLE ANGLE THERMOMETERS

Commercial grade units available with 9" aluminum or plastic cases, spirit fill, and 3½" or 6" stems. Unit can be adjusted for easy reading at any angle.



## ► SPECIFICATIONS

- Case: 9" black case either Cylolac plastic or die cast aluminum.
- Lens: Heavy duty protective glass.
- Tube: Spirit fill.
- Scale: Easy-to-read bold black print on white V-shaped aluminum scale.
- Accuracy: ±1 scale division.
- Stem: Stem and socket are aluminum with a brass thermowell connection. Stem is tapered to fit a matched taper in the thermowell, giving metal to metal contact and maximum sensitivity.
- Connection: 1¼" - 18 UNEF2A threaded brass coupling nut connection to fit thermowell.
- Adjustment: Thermometer can be rotated 180° quickly and easily simply by adjusting two screws.

## ► OPTIONS

- Other configuration combinations available upon request.
- Plastic lens.

## ► IMPORTANT NOTE

- Plastic case should not be subjected to ambient temperatures greater than 200°F (93°C).

ADJUSTABLE ANGLE DIMENSIONS				
Scale Z	X	W	T	Y
9"	11 <sup>21</sup> / <sub>32</sub> "	2 <sup>3</sup> / <sub>8</sub> "	2 <sup>9</sup> / <sub>32</sub> "	1 <sup>3</sup> / <sub>4</sub> "

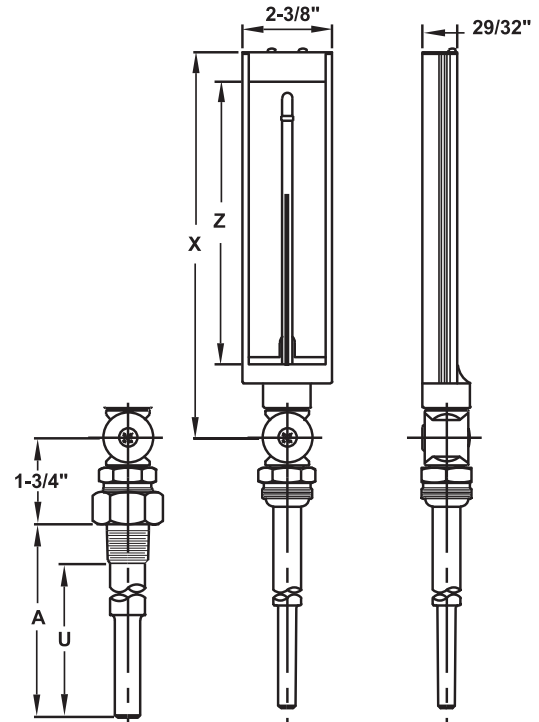
## CYCOLAC PLASTIC CASE PART NUMBERS

A-Stem	U-Insert.	Spirit
3½"	2½"	81203XX1
6"	5"	81206XX1

## ALUMINUM CASE PART NUMBERS

A-Stem	U-Insert.	Spirit
3½"	2½"	91203XX1
6"	5"	91206XX1

XX=Temperature Range Code  
(see page 3 for standard temperature ranges)

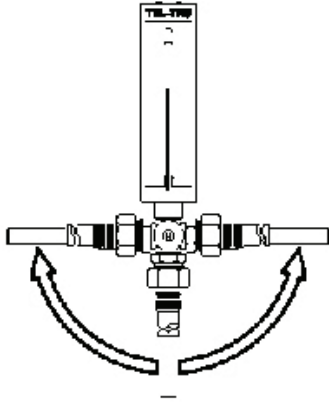




**Tel-Tru Manufacturing Company**

408 St. Paul Street, Rochester, New York 14605 USA

Phone: 585-232-1440 • 800-232-5335 • Fax: 585-232-3857 • E-mail: info@teltru.com • Web: www.teltru.com



**Spirit Fill  
Adjustable Angle  
Thermometer**

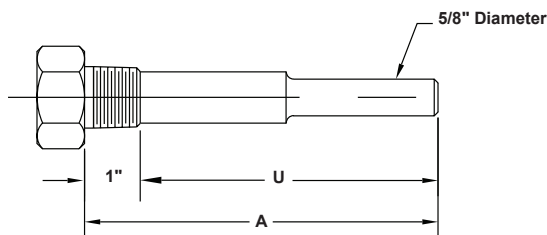
*An  
Environmentally  
Safe Alternative to  
Mercury!*

SPIRIT FILL STANDARD RANGES					
Fahrenheit	°/Div.	Code	Celsius	°/Div.	Code
-40 to 110°F	2°	<b>16</b>	-40 to 40°C	1°	<b>32</b>
0 to 120°F	1°	<b>06</b>	-15 to 50°C	1/2°	<b>47</b>
0 to 160°F	2°	<b>19</b>	-15 to 70°C	1°	<b>48</b>
20 to 180°F	2°	<b>08</b>	0 to 115°C	1°	<b>34</b>
30 to 240°F	2°	<b>22</b>	0 to 150°C	1°	<b>35</b>
30 to 300°F	2°	<b>23</b>			

SPIRIT FILL DUAL SCALE RANGES					
Fahrenheit and Celsius		°/Div.	Code		
-40 to 110°F	-40 to 43°C	2°/1°	<b>20</b>		
0 to 120°F	-17 to 49°C	1°/1/2°	<b>26</b>		
0 to 160°F	-17 to 71°C	2°/1°	<b>28</b>		
20 to 180°F	-6 to 82°C	2°/1°	<b>29</b>		
30 to 240°F	0 to 114°C	2°/1°	<b>30</b>		
30 to 300°F	-1 to 149°C	2°/1°	<b>36</b>		

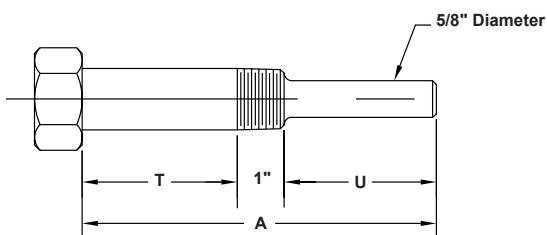
**► THERMOWELLS**

**STANDARD THERMOWELL**



STANDARD THERMOWELL PART NUMBERS					
A-Stem	U-Insert.	NPT	Brass	304SS	316SS
3 1/2"	2 1/2"	3/4"	<b>GW001201</b>	<b>GW001203</b>	<b>GW001204</b>
6"	5"	3/4"	<b>GW002201</b>	<b>GW002203</b>	<b>GW002204</b>

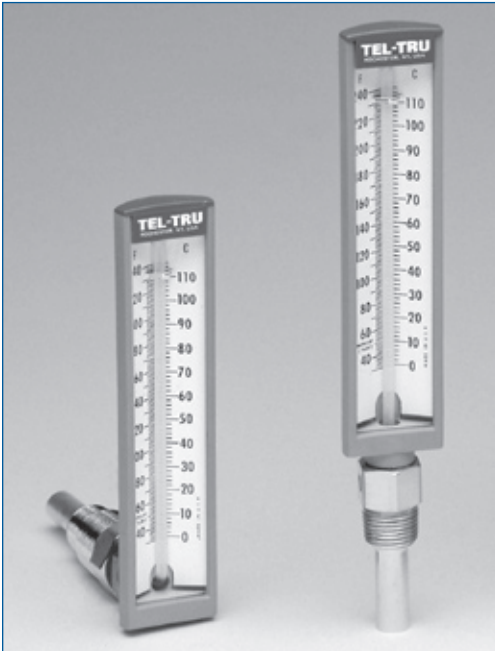
**LAGGING EXTENSION THERMOWELL**



LAGGING EXTENSION THERMOWELL PART NUMBERS						
A- Stem	T- Exten.	U- Insert.	NPT	Brass	304SS	316SS
3 1/2"	1"	1 1/2"	3/4"	<b>GWE01201</b>	<b>GWE01203</b>	<b>GWE01204</b>
6"	2 1/2"	2 1/2"	3/4"	<b>GWE02201</b>	<b>GWE02203</b>	<b>GWE02204</b>

# 6" SUBMARINE and ECONOMY THERMOMETERS

Designed for diesel engines, compressors, brine lines and all small piping networks. It is especially adaptable to equipment operating under continuous vibrating conditions.



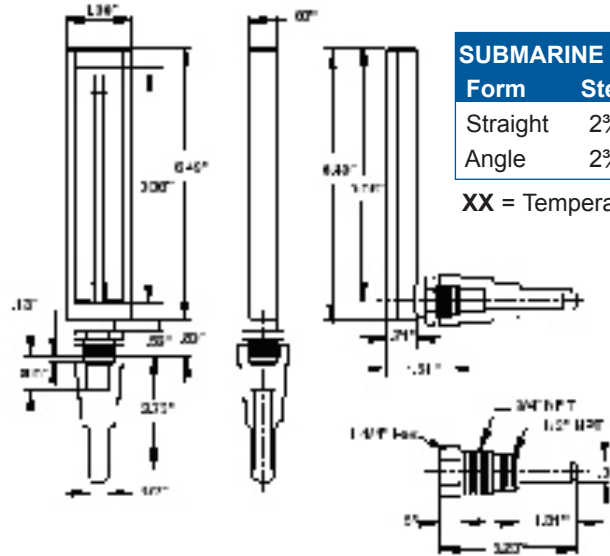
## ► SPECIFICATIONS

Case:	6" scale V-shaped gray Valox® case.
Lens:	<i>Submarine:</i> Heavy duty protective glass. <i>Economy:</i> No Lens (available as option).
Tube:	Red spirit.
Scale:	Black print on white V-shaped aluminum scale.
Accuracy:	±1½ scale division.
Stem and Well:	Standard fittings of all brass construction. Submarine models standard dual threaded for ½" and ¾" NPT. Economy models standard ½" NPT brass socket.

## ► OPTIONS

- Other configuration combinations available upon request.

## ► SUBMARINE DIMENSIONS

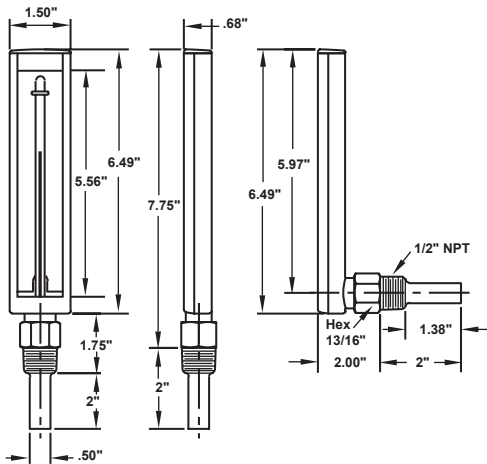


### SUBMARINE PART NUMBERS

Form	Stem	6" Scale
Straight	2¾"	73423XX
Angle	2¾"	74423XX

XX = Temperature Range Code

## ► ECONOMY DIMENSIONS



### ECONOMY PART NUMBERS

Form	Stem	6" Scale
Straight	2"	7340254R-SE
Angle	2"	7440254R-SE

### ECONOMY STANDARD RANGES

Dual Scale °F/°C	Code
40 to 260°F/5 to 125°C	54

### SUBMARINE

#### STANDARD TEMPERATURE RANGES

Dual Scale °F/°C	°/Div.	Code
50 to 400°F/10 to 205°C	5°/2°	64
-40 to 110°F/-40 to 40°C	2°/2°	56
20 to 180°F/-6 to 82°C	2°/2°	29
30 to 240°F/0 to 114°C	2°/2°	30



### Tel-Tru Manufacturing Company

408 St. Paul Street, Rochester, New York 14605 USA

Phone: 585-232-1440 • 800-232-5335 • Fax: 585-232-3857 • E-mail: info@teltru.com • Web: www.teltru.com

## MECHANICAL CONTRACTOR PRESSURE GAUGE

*A utility gauge used with any liquid or gas not corrosive to bronze.  
Typically used for HVAC applications.*



### ► MODEL 52B SPECIFICATIONS:

Dial Size: 4½"  
 Accuracy: ±1% FS - ANSI Grade 1A  
 Bourdon Tube: Brass  
 Movement: Brass  
 Socket: Brass  
 Lens: Acrylic  
 Pointer: Aluminum, Adjustable  
 Dial: Heavy Gage Aluminum  
 Connection: ¼" NPT Lower Only  
 Restrictor: Standard  
 Case: Stainless Steel (dry only)  
 Range: 30-0-60 up to 0-600  
 Scales: psi  
 Part Number: 4552BS4L1XXX  
 (XXX=Pressure Range Code)

STANDARD PRESSURE RANGES		
CODE = RANGE (psi)	Intervals (psi)	Div. (psi)
Z2A = 30-0-30	5	1
Z3A = 30-0-60	10	2
B7A = 0-15	1	.25
C6A = 0-30	5	.5
D6A = 0-60	10	1
D9A = 0-100	20	2
E4A = 0-160	20	2
E5A = 0-200	20	2
E8A = 0-300	50	5
F2A = 0-400	50	5
F4A = 0-600	100	10

## PRESSURE GAUGES

*Tel-Tru has a variety of pressure gauge models, configurations and options available.*



### ► MODELS

- Model 10** ½% Process, Solid Front, Blowout Back
- Model 30** 1% Stainless Steel Dry or Liquid Filled
- Model 31** 1% Solid Front, Blowout Back
- Model 32S** 1½% Stainless Steel Dry or Liquid Filled
- Model 33** Economy Dry or Liquid Filled
- Model 37** 1½% Low Pressure 4"
- Model 42** ¼% Test
- Model 50B** Metal Case Utility
- Model 51B** Plastic Case Utility
- Model 52B** 4½" Mechanical Contractor
- Model 55B** 2½" Low Pressure Diaphragm Utility

### ► DIAPHRAGM SEALS

- Threaded, Flanged, Welded
- Mini Seals
- Sanitary

### ► ACCESSORIES

- Porous Metal Pressure Snubbers
- Piston Type Pressure Snubbers
- Siphons
- Needle Valves
- Gauge Cocks

**NOTE:** For more information on our Pressure Gauges, please see our Pressure Gauge brochure or visit our website at [www.teltru.com](http://www.teltru.com)