

# On-Off and V Port Ball Control Valve Packages

## NPT 1/2" - NPT 4", 800-1000 PSI

- Fully integrated system
- Plug and play
- Tested and Ready to Install



Quarter turn solutions can be deployed for high pressure or high temperature applications. Ball valves are industry proven in a wide range of applications and are particularly suitable for applications where low cycles and high reliability is required. These valves are standard 3-piece design with the advantage of either an on-off actuation package including a NAMUR solenoid valve or a full process controller package. The full process controller places the intelligence and responsibility in the field at the point of control. Simple set up through intuitive menu guided HMI or PC interface makes this an easy choice for complex loops which need critical tuning.

### Technical Data

<b>Pressure range</b>	800-1000 PSI, max. at 140°F (>140°F see datasheet)
<b>Temperature media</b>	Up to 350°F (see datasheet for P & T relationship)
<b>Body material</b>	Stainless steel
<b>Seal material</b>	PTFE, (RPTFE and Advanced PTFE available)
<b>Port connection</b>	NPT (or ASME B16.5 Class 150 RF)
<b>Bore</b>	Full / V-Port on control valve package

### Ordering chart

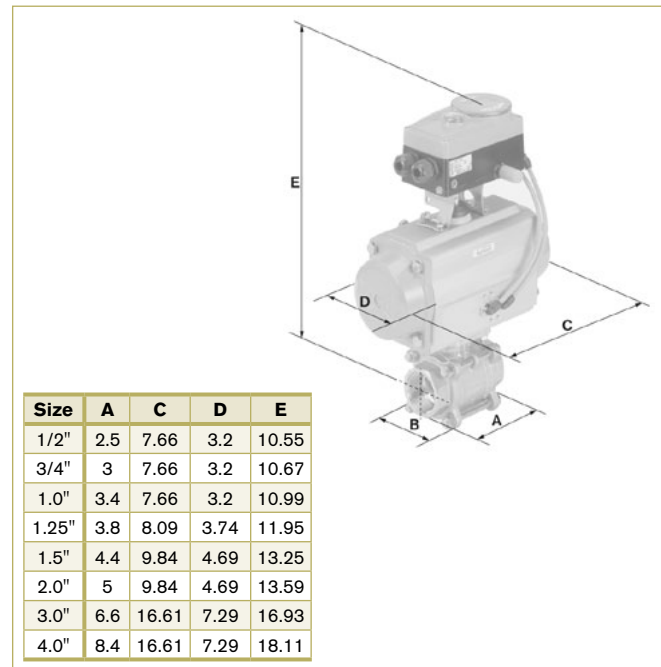
Control Valve with 60° Vball, NPT 3pc, PTFE with 8793 Process Controller			
Size (NPT)	Cv 60% open	Cv Full Open	System Order Code
1/2"	1.2	7.8	98124532
3/4"	2.7	17.5	98124533
1.0"	4.9	31	98124534
1.25"	7.8	60	98124535
1.5"	10	73	98124536
2.0"	17	129	98124537
3.0"	46	313	98124538
4.0"	82	558	98124539

ON/OFF Actuated Ball Valves, NPT 3 pc, PTFE with 6519 24 VDC			
Size (NPT)	Cv 60% open	Cv Full Open	System Order Code
1/2"	not applicable	28	98124510
3/4"	not applicable	64	98124511
1.0"	not applicable	115	98124512
1.25"	not applicable	160	98124513
1.5"	not applicable	210	98124514
2.0"	not applicable	375	98124515
3.0"	not applicable	844	98124516
4.0"	not applicable	1500	98124517

### Envelope Dimensions [inch]

(see datasheet for details)



### Typical Cv for 60° V-Port control valve

