

On-Off Pneumatically Operated 2/2 Way ELEMENT Angle Valve

ELEMENT 2100

1/2" - 2", 0-362 PSI

- Perfect for clean applications
- Wide range of accessories
- FreshAIR control function with ELEMENT Control Tops



ELEMENT angle seat valves with OD tube weld ends are designed for unmatched life cycle performance. Shown on this page in normally closed configuration with underseat flow for liquids these valves exhibit live loaded packing with all of the advantages of the ELEMENT platform: Intelligent, Integrated and Beautiful.

Technical Data

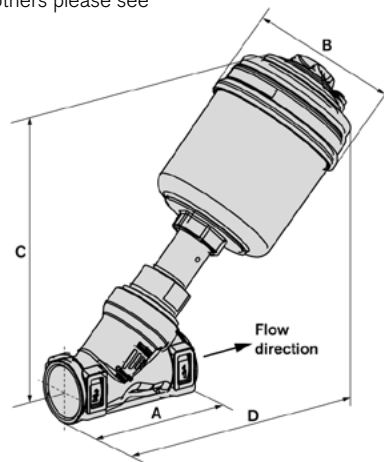
Angle Seat	2100 ELEMENT
Pressure range	0-362 PSI, Max.
Temperature media	14 °F ... +356 °F (150# steam)
Ambient temperature Max.	194 °F, Max.
Body material	316L stainless steel
Seal material	PTFE
Actuator Material	Stainless steel/PPS
Control medium	Instrument air at 80 PSI
Flow direction	Under seat anti water-hammer
Port connection	NPT
Safe position	Normally closed

Options

- Normally open
- Double acting
- Solenoid pilot valves (see page 37)
- Vacuum version
- Feedback switches
- Cleaned for oxygen service

Envelope Dimensions [inch] (see datasheet for details)

Dimensions shown for threaded version for others please see datasheet



Port Connection	Actuator (mm)	A	B	C	D
1/2"	50	2.56	2.54	6.22	7.28
3/4"	70	2.95	3.58	7.13	8.31
1	70	3.54	3.58	7.36	8.66
1 1/4"	70	4.33	3.58	7.68	9.25
1 1/2"	70	7.72	3.58	7.75	9.29
2"	90	5.91	4.72	10.04	11.85

Accessories for 2100



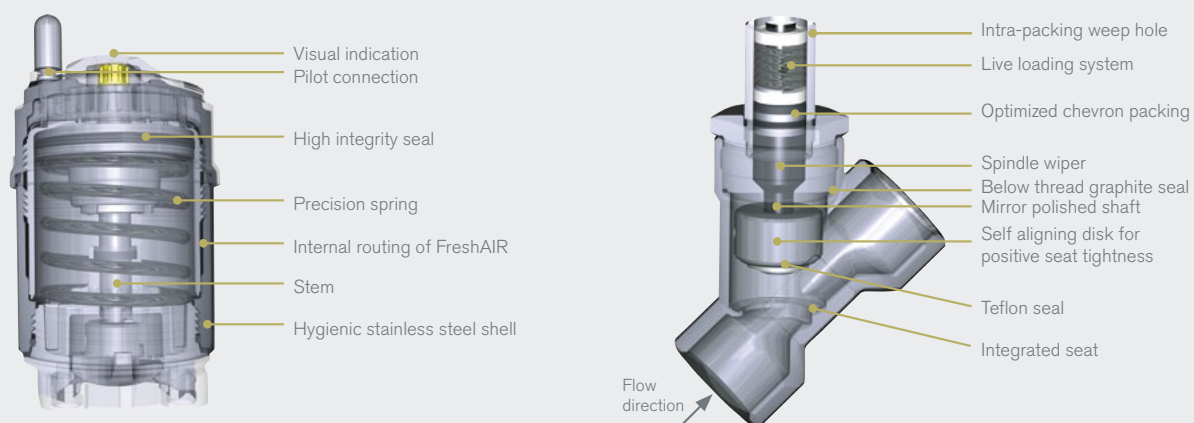
8690 Control Top



8691 Control Top with superBRIGHT feedback



Sectional Drawings



Ordering Charts

Stainless Steel 316L, NPT Threaded						
Size	Orifice [mm]	Actuator	Pressure [PSI]	Cv	Item no. long body (till end 2011)	Item no. short body
1/2"	13	50	362	5.8	187 053	213 652
1/2"	13	70	362	5.8	188 634	213 653
3/4"	20	70	290	12.8	188 635	213 654
1"	25	70	232	20.9	188 636	213 655
1 1/4"	32	70	123	31.4	188 637	213 656
1 1/4"	32	90	232	32.6	188 638	213 657
1 1/2"	40	70	87	44.2	188 639	213 658
1 1/2"	40	90	232	46.5	188 640	213 659
2"	50	90	145	64.0	188 641	-
2"	50	130	232	72.1	-	188 649
Stainless Steel 316L, Weld End OD Tube						
Size	Orifice [mm]	Actuator	Pressure [PSI]	Cv	Item no.	
1/2"	15	50	362	5.8	187 077	
1/2"	15	70	362	5.8	188 726	
3/4"	20	70	290	12.8	188 727	
1"	25	70	232	20.9	188 728	
1 1/2"	40	70	87	44.2	188 729	
1 1/2"	40	90	232	46.5	188 730	
2"	50	90	145	64.	188 731	
Stainless Steel 316L, Hygienic Clamp						
Size	Orifice [mm]	Actuator	Pressure [PSI]	Cv	Item no.	
1"	15	50	25	3.6	187 103	
1"	15	70	25	3.6	188 806	
1"	20	70	20	8.6	188 807	
2"	25	70	16	17.2	188 808	
2"	40	70	6	32.7	188 809	
2"	40	90	16	34.4	188 810	
2 1/2"	50	90	10	45.6	188 811	