

# MVS Mount/MVS

Conversion Kit



Picture is a representation of actual product

Designed for the Rice Lake Weighing Systems SURVIVOR® truck scale product line, the MVS can also be purchased independently to support existing designs or applications. Built to withstand the punishment of the most severe environments, the MVS utilizes the center-loaded double-ended shear beam load cell design. The mount is self-centering, which eliminates the need of costly check rods. This results in a pendulum suspension effect that eliminates binding, protects the load cells from damaging side load common on truck scales and automatically returns the mount to dead center. The mount is easy to install and promises high performance and long life.

## Standard Features

- Capacity design: 10,000 lb-125,000 lb (4,536.0 kg-34,019.4 kg)
- Mild steel construction
- Specially hardened center link
- Self-checking design
- Self-centering design
- Accommodates thermal expansion and contraction

## Optional Features

- VPG® Sensortronics 65058 or VPG Celtron CLB

## Applications

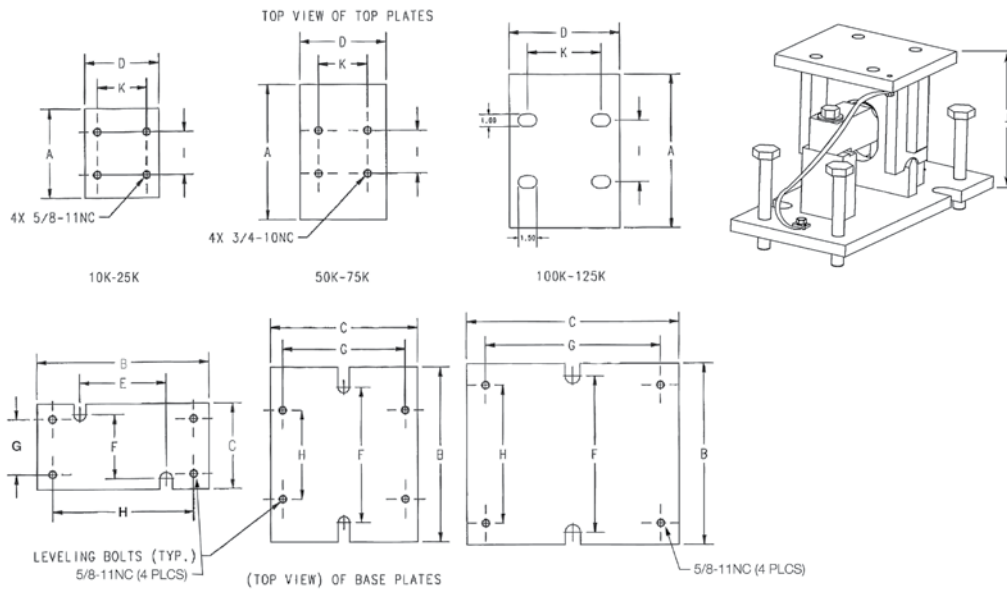
- Truck/track scale conversion
- Heavy-capacity horizontal tanks

## Complete Kit Includes

- Four to ten RL75058-75,000 lb load cells with 35 ft or 60 ft cables
- Four to ten MVS mounts
- JB 8SPT junction box (JB1010 on ten module kit)
- 100 ft of our hostile environment EL147HE SURVIVOR® load cell cable

## Load Cell Certifications





## Dimensions

Rated Capacity	A	B	C	D	E	F	G	H	I	J	K
<b>lb/in</b>											
10,000-25,000	7.25	14.00	7.00	6.00	7.00	5.25	4.50	11.50	3.50	8.50	4.00
50,000-75,000	11.00	14.25	12.00	7.00	—	11.00	10.00	7.25	3.50	11.53	4.00
100,000-125,000	12.50	14.75	17.25	9.00	—	12.75	14.25	11.25	5.00	14.21	6.00
<b>kg/mm</b>											
4,536.0-11,340.0	184.2	355.6	177.8	152.4	177.8	133.5	114.3	292.1	88.9	215.9	101.6
22,679.6-34,019.4	279.4	362.0	304.8	177.8	—	279.4	254	184.15	88.9	292.9	101.6
45,360-56,700.0	317.50	374.7	438.2	228.6	—	323.9	362.0	285.8	127.0	360.9	152.4

## Order Information

Load Rating (Per Module)	Part #	Price
<b>MVS Mount (Does NOT include Load Cell)</b>		
10,000 lb-25,000 lb	71200	\$595.00
50,000 lb-75,000 lb	46441	\$695.00
100,000 lb-125,000 lb	68520	\$1,200.00
<b>MVS Conversion Kits (Includes 75,000 lb* Load Cells, Mounts and Junction Box)</b>		
Four-module kit	68495	\$6,595.00
Six-module kit	68496	\$9,695.00
Eight-module kit	68497	\$13,195.00
Ten-module kit	68498	\$16,995.00
<b>Dummy Load Cell</b>		
50 lb-75,000 lb	169388	\$150.00
100,000 lb-125,000 lb	159696	\$175.00

Custom heights available; Consult  
 \* Consult for other capacity requirements