

In-Line Flow Transmitter for Pipe Sizes to 2"

SE36

1/2" to 2", 0-232 PSI

- Turn & Lock
- Direct interface with PLC's
- Brass and stainless

Please add fitting from page 65

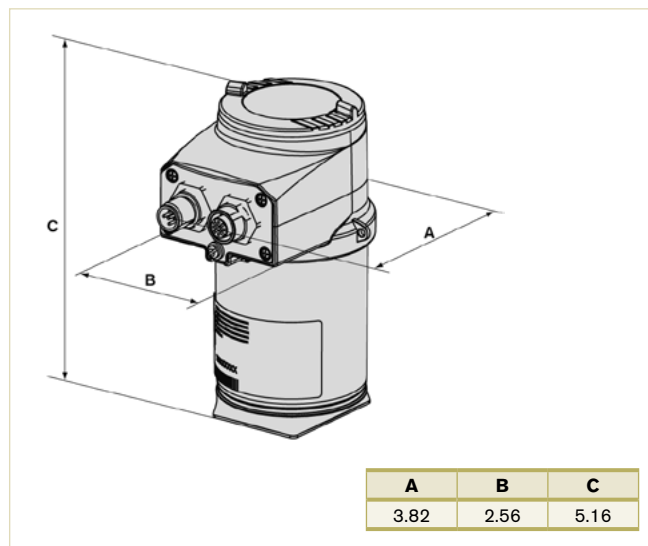


Unique bayonet style flow meter constructed from an SE36 sensor and any of the S030 fittings shown on page 65. This two-wire 4-20 mA INLINE flow meter is manufactured to provide true, reliable flow for neutral, solid free liquids. A backlit removable display makes the system adds more value as it can program multiple transmitters.

Technical Data

Electronic module	
Housing material	Stainless steel, PPS, PC
Display	Removable dot matrix 128 x 64 with backlight
Ambient temperature	32 °F - 140 °F
Voltage supply	14...36 VDC for 2-wire models
Electrical Protection	Short circuit protection Reversed polarity of DC protected
Electrical connections	M12
Outputs	4 ... 20 mA for flow rate Transistor output NPN and PNP, 700 mA
Output Load Max.	< 1100 Ω at 36 V < 610 Ω at 24 V < 180 Ω at 14 V
Ingress protection	IP65 and 67, NEMA4X
Approvals	UL Recognized, CSA through cURus, CE
Integrated sensor and fitting module	
Size range	1/2" to 2" with bayonet fitting
Measuring ranges	1 to 33 fps
Measuring error (teach in)	≤ ± 1% o.FS (at 33fps)
Measuring error (Std. k-factor)	≤ ±(0.5% o.FS + 2.5% o.R)
Linearity	≤ ± 0.5% o.FS (at 33fps)
Repeatability	0.4% o.R.
Fitting Materials	PVC, PVDF, PP, Brass, Stainless, Stainless HT
Paddle wheel	PVDF
Axis and bearing	Ceramic
O-rings	FKM
Max. Fluid Temperature	212 °F (metal), 122 °F (PVC)
Ambient temperature range	0 to 140 °F
Max. fluid pressure	232 PSI (metal), 145 PSI (PVC)

Envelope Dimensions [inch] (see datasheet for details)



Options

- Hygienic clamp and ASME weld end connections
- ANSI flange connection
- PVDF and PP fittings
- Low flow fittings down to 6 mm
- High flow fittings (8036) to 16"
- Various sealing materials
- Individual calibration certificate
- Pre-wired cordsets and M12 connectors and cables
- Display unit only (item number 559 168)

Ordering Chart for compact transmitter Type SE36

Specifications	Voltage supply	Output	Electrical connection	UL Approval	Item no.	
					without display	with display
2 outputs	14-36 V DC	1 x transistor + 1 x 4-20 mA (2-wire)	5-pin M12 male fixed connector	No	560 880	561 880
				Recognized	560 883	561 883
3 outputs	14-36 V DC	2 x transistors + 1 x 4-20 mA (2-wire)	5-pin M12 male fixed connector	No	560 881	561 881
				Recognized	560 884	561 884