

On-Off Pneumatically Operated 2/2 Way Forged Diaphragm Valve



1/2" - 2", 0-145 PSI

- Beautiful look and feel
- Interface to feedback and control options
- FreshAIR control function with ELEMENT Control Tops

2103

ELEMENT forged diaphragm valve designed for perfect hygienic use. As well as an aesthetic look and feel the valve is 3A / FDA compliant for bio-processing. The hermetic separation of fluids from the operating mechanism also offers favorable flow characteristics and zero dead volume.

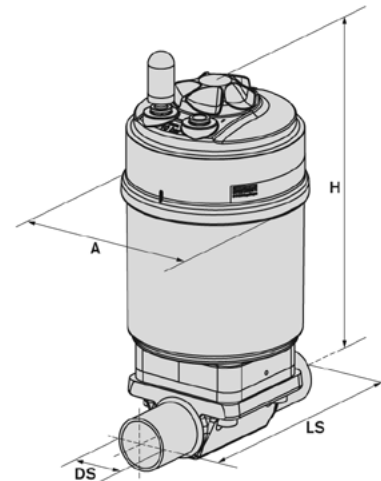
Technical Data

Pressure range	0-145 PSI, Max.
Temperature media	14 °F ... +212 °F
Ambient temperature	140 °F, Max.
Body material	Forged 316L stainless steel
Internal finish	25 Ra (others on request)
External finish	As milled
Seal material	PTFE or EPDM
Actuator Material	Polished 316L stainless steel / PPS
Control medium	Instrument air up to 140 PSI
Flow direction	Bidirectional
Connections	Weld end tube: hygienic clamp
Pilot connections	1/4" tube
Norms	FDA compliant, CRN available, 3A

Options

- BN2 material
- Block and weld bodies
- Any standard surface finish
- Classic actuator for sizes above 2"
- Intelligent positioner (see page 54)

Envelope Dimensions [inch] (see datasheet for details)



Orifice	Ø Actuator [mm]	Ø A	Ø DS	LS	H
1/4"	50	2.54	0.25	3.07	5.08
3/8"	50	2.54	0.38	4.25	5.67
1/2"	70	3.58	0.5	4.25	6.34
3/4"	70	3.58	0.75	4.61	6.73
1"	70	3.58	1	5	6.85
1 1/2"	130	6.26	1.5	6.26	11.34
2"	130	6.26	2	7.48	12.25

Ordering chart

Size	PSI (EPDM)	PSI (PTFE)	CV	CLAMP (EPDM)	CLAMP (PTFE)	OD tube (EPDM)	OD tube (PTFE)
1/4"	145	145	1.2	218 085	218 092	218 033	218 041
3/8"	145	145	1.2	218 070	218 078	218 034	218 042
1/2"	145	145	5.8	218 071	218 079	218 035	218 043
3/4"	145	145	10.4	218 072	218 080	218 036	218 044
1"	145	116	13.9	218 074	218 082	218 038	218 046
1 1/2"	145	145	37.0	218 075	218 083	218 039	218 047
2"	101	101	54.3	218 076	218 084	218 040	218 048