

Control Valves

8802

2/2 way Continuous Control, 1/2" to 4"

- High Control Accuracy
- Stainless IP65 and 67, NEMA4 protection
- Simple to install and commission



ELEMENT Control Valves

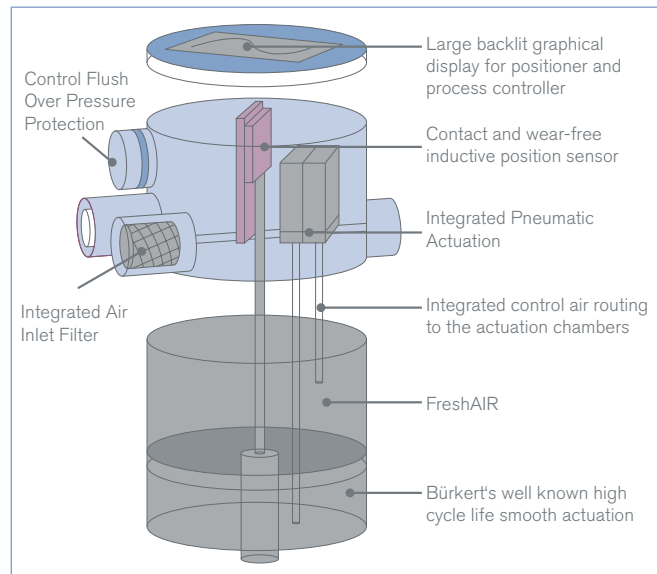
As part of a remarkable range of attractive and process control components our hardworking angle control valves offer high flows for large capacity heat exchange operations while our globe valves offer extreme precision and quiet operation. Both can be incorporated in the superlative 8802 control valve system. The 8802 Continuous ELEMENT architecture enables the easy integration of three levels of automation modules: a simple blind Positioner; a positioner with display; and a fully functional process controller. A range of fieldbus interfaces (AS-i, Profibus or DeviceNET) can be added with ease.

Simple, intuitive, multilingual menu driven HMI allows you to control your loop with the minimum time investment. There are no other control valves on the market which offer the following features:

- Wash down to EDEDG design standards and IP65/IP67/NEMA 4X
- Unrivalled control characteristics
- Positive positioner pressure and overpressure relief
- Unmatched Resistance to cleaning materials
- FreshAIR innovation eliminates corrosion of the spring chamber
- Security code lock
- Digital calibration
- Diagnostic tools
- PC interface set up tools
- DTMs
- Superb graphic backlit display
- Contactless, wear-free analog displacement transmitter
- Simple and reliable drive adaptation by automatic TEACH
- On board air filter
- ProcessTUNE
- Close tight cut off, inversion, free customized characteristic, filter, dead band, start position, safe position, split range, max min time and digital signal calibration
- Binary input and 2 binary outputs
- Analog output for position, setpoint or process variable

Threaded, OD tube weld ends and flanged connections make this an easily installed part of your control loop. These control valves offer unmatched life cycle performance.

Truly Intelligent, Integrated and Beautiful.



Technical Data

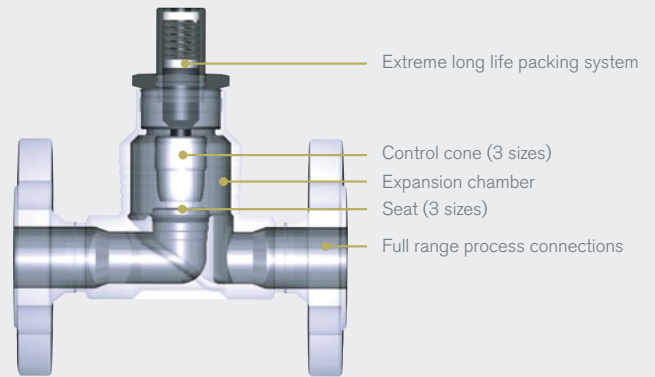
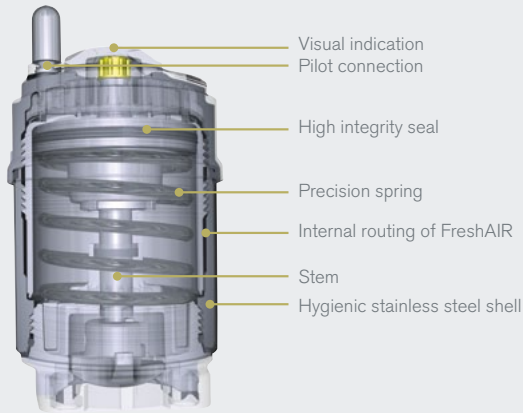
Angle Seat	2100 ELEMENT
Pressure range	0-362 PSI, Max.
Temperature media	14 °F ... +356 °F
Ambient temperature Max.	194 °F, Max.
Body material	316L stainless steel
Seal material	PTFE
Actuator Material	Stainless steel/PPS
Control medium	Instrument air at 80 PSI
Flow direction	Under seat anti water-hammer
Port connection	NPT
Safe position	Normally closed



smartSIZER

All of these valves can be simply and accurately sized using our online software

Sectional Drawings



Ordering charts

Angle Control Valve (2300 + 8694/3)

Size	Orifice	Cv	Actuator	Pressure	with 8694 Positioner	with 8693 Process Controller
NPT Connection (new short body)						
1/2"	13	5.8	70	232	463 963	224 036
3/4"	20	11.6	70	232	463 964	463 990
1"	25	18.6	90	232	464 368	464 369
1 1/4"	32	26.7	90	232	464 370	464 371
1 1/2"	40	41.9	130	232	463 967	463 992
2"	50	61.6	130	232	463 966	463 993
OD Tube Connection						
1/2"	15	5.8	70	232	223 888	463 994
3/4"	20	11.6	70	232	223 890	463 996
1"	25	18.6	90	232	463 372	464 373
1 1/2"	32	41.9	130	232	223 919	463 995
2"	50	61.6	130	232	223 920	463 997

Globe Control Valve (2301 + 8694/3)

OD Tube Connection						
1/2"	10	2.4	70	232	223 926	464 000
3/4"	13	5.0	70	232	223 927	464 002
1"	20	8.3	70	232	464 011	464 003
1 1/2"	32	20.7	90	232	224 033	224 034
2"	40	27.7	130	232	224 027	224 032
Flange Connection						
1/2"	4	0.6	50	232	463 973	-
1/2"	6	1.4	50	232	463 974	-
1/2"	8	2.4	50	232	463 975	-
1/2"	10	3.6	70	232	463 976	464 005
1/2"	15	5.0	70	232	463 981	464 006
3/4"	20	8.3	70	232	463 984	464 007
1"	25	10.3	90	232	464 374	464 375
1 1/2"	40	20.5	130	232	463 988	464 010
2"	50	31.8	130	232	463 989	464 001
* 2.5"	65	44.7	130	232	463 999	464 009

* preliminary data, not released yet.

Act.Size	Head	Item No.
50mm	Positioner is 8696, no feedback	227 450
70/90mm	Positioner is 8694, no feedback	227 407
	Process controller is 8693 binary in/out + feedback	227 380
130mm	Positioner is 8694, no feedback	227 428
	Process controller is 8693, binary in/out + feedback	227 357

Accessories	Item No.
M12 8-pole 2 meter cordset	919 061
M12 4-pole 2 meter cordset	918 038
M8 4-pole 2 meter cordset	918 718
8696 and 8694 requires only M12 8-pole cordset while 8693 will require all listed cordsets above	