

# Digital Controller SC4200c

## Applications

- Wastewater



## The next generation controller

Remote access to online system data anytime, anywhere.

### Data Access from Anywhere

Get easy access to crucial information, helping you manage your process and be proactive in your maintenance.

Anytime. Anywhere.

### Always at a Glance: Measurement and Sensor Health

Be confident of your sensor health and measurement results with easy to understand color-coded LEDs and remote diagnostics providing you with actionable information including errors and warnings.

### Fast and Intuitive Operation

Intuitive menu options allow you to calibrate your instruments quickly – helping you to easily set up your systems and optimize your processes. Using any internet-enabled device, this can be done from wherever you are.

## Technical Data\*

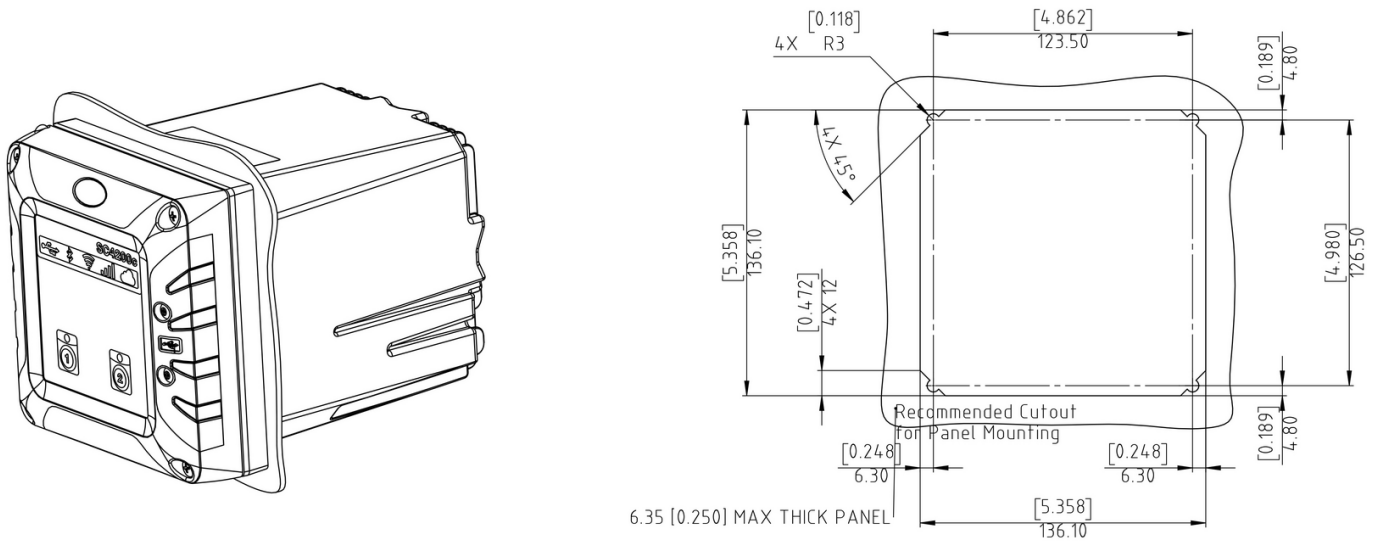
|                                     |   |
|-------------------------------------|---|
| <b>Description</b>                  | Microprocessor-controlled and menu-driven controller that operates the sensor.  |
| <b>Dimensions</b>                   | ½ DIN - 144 x 144 x 192 mm (5.7 x 5.7 x 7.6 in.)  |
| <b>Weight</b>                       | 3.7 lb (controller only, w/o modules)   |
| <b>Enclosure Rating</b>             | NEMA 4X/IP66 metal enclosure with a corrosion-resistant finish  |
| <b>Operating Temperature Range</b>  | LAN version: -20 - 60 °C (-4 - 140 °F)<br>Cellular version: -20 - 55 °C (-4 - 131 °F)   |
| <b>Storage Conditions</b>           | -20 - 70 °C (-4 - 158 °F), 0 - 95% relative humidity, non-condensing  |
| <b>Altitude</b>                     | 2000 m (6562 ft) maximum  |
| <b>Installation Category</b>        | Category II   |
| <b>Pollution Degree</b>             | 2   |
| <b>Protection Class</b>             | I, connected to protective earth  |
| <b>Power Requirements (Voltage)</b> | 100 - 240 VAC   |
| <b>Power Requirements (Hz)</b>      | 50/60 Hz  |
| <b>Measurements</b>                 | Two device digital SC connectors  |
| <b>Relays</b>                       | High voltage:<br>Two relays (SPDT)<br>Maximum switching voltage: 250 VAC<br>Maximum switching current: 5 A (resistive only load)<br>Maximum switching power: 1250 VA, 125 W (resistive only load)<br>Wire gauge: 0.75 to 2.5 mm <sup>2</sup> (18 to 12 AWG)<br><br>Low voltage:<br>Four relays on each low voltage relay module |
| <b>Output</b>                       | Five 4-20 mA analog outputs on each analog output module  |
| <b>Communication Capabilities</b>   | Profibus DPV1 card  |

|  |  |
|--|--|
| <b>Network Connectivity</b>            | LAN version: Two Ethernet connectors (10/100 Mbps), switch function, M12 female D-coding connector.<br><br>Cellular version: SIM card holder (3G/4G).<br><br>The type of connection is dependent on controller configuration.  |
| <b>USB Port</b>                        | Used for data download and software upload. The controller records approximately 20,000 data points for each connected sensor.   |
| <b>Compliance Certifications</b>       | CE approved (with all sensor types). Listed for use in general locations to UL and CSA safety standards by ETL (with all sensor types).<br><br>Certain AC mains powered models are listed for use in general safety locations to UL and CSA safety standards by Underwriters Laboratories (with all sensor types). |
| <b>Warranty</b>                        | 1 year   |
| <b>Compatible Network Technologies</b> | GSM 3G/4G (e.g. AT&T, T-Mobile, Rogers, Vodafone etc.)<br><br>CDMA (e.g. Verizon)  |
| <b>Compatible Instruments</b>          | Ammonium: Amtax sc, AN-ISE sc, A-ISE sc<br><br>Nitrate: Nitratax sc, N-ISE sc<br><br>Phosphate: Phosphax sc<br><br>Organics: UVAS sc<br><br>pH: pHD sc<br><br>Conductivity: 3798-S sc<br><br>Dissolved Oxygen: LDO 2 sc<br><br>Suspended Solids: Solitax sc<br><br>Sludge Level: Sonatx sc                         |

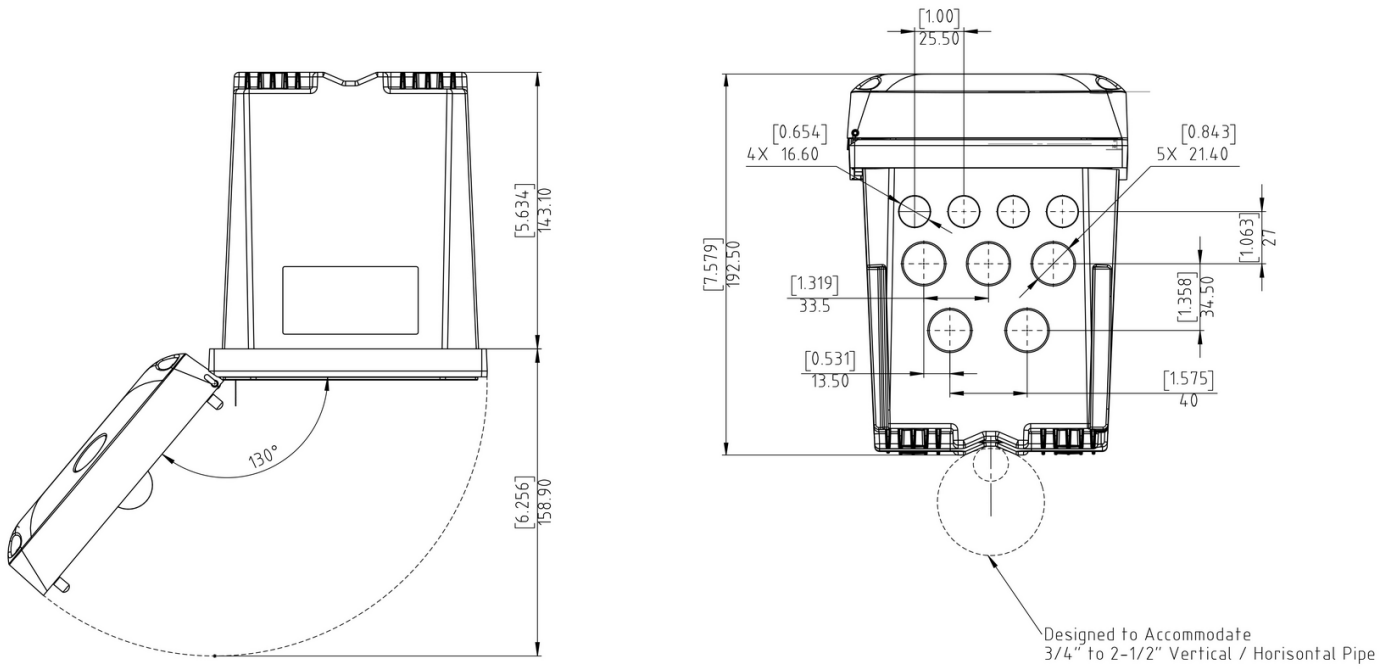
\*Subject to change without notice.

### Dimensions

#### Panel mounting dimensions



#### Top and bottom views



Door Opening Details

## Order Information

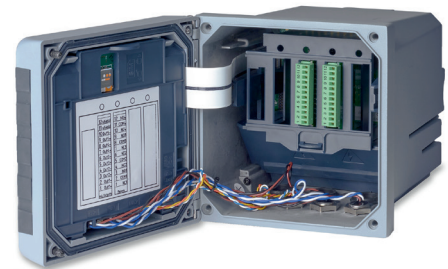
### Controller

- LXV524.99.01120** SC4200c Controller, North American Cellular Modem, mA out, 2 digital Sensors, w/o plug
- LXV524.99.01110** SC4200c Controller, North American Cellular Modem, mA out, 1 digital Sensor, w/o plug
- LXV524.99.01720** SC4200c Controller, North American Cellular Modem, Profibus, 2 digital Sensors, w/o plug
- LXV524.99.11120** SC4200c Controller, North American Cellular Modem, mA out, 2 digital Sensors, with plug

*Other configurations are available. Please contact Hach Technical Support or your Hach representative.*

### Accessories

- LXZ524.99.00006** SC4x00c mA output module, 5 outputs
- LXZ524.99.00007** SC4x00c Profibus DP network module
- LXZ524.99.00008** SC4x00c Relay module, 4 low voltage relays
- LXZ524.99.00013** Holder for tablets/mobiles
- LXZ524.99.00004** UV protection screen
- LXZ524.99.00005** UV protection screen with sunroof
- LZY472-01** USB 2.0 Ethernet-Adapter for SC Service Port
- LZV791** Memory-Stick (USB)
- LXZ524.99.00033** Sunroof visor
- LXZ524.99.00037** Sunroof
- LQV155.99.00012** Power box with power connection cable
- LQV155.99.00002** Power box without power connection cable



## Be confident with Hach Service

### Start-Up/Commissioning:

Our service technicians visit your site and setup instrumentation, provide basic end-user training on operations and maintenance, and validate settings and performance to get you started.

### Service Agreement:

Hach provides on-site and in-factory repair, preventive maintenance, and calibration programs for your instruments to ensure reliability and instrument up-time. We have services to fit your specific needs.

### Hach World Headquarters: Loveland, Colorado USA

United States: 800-227-4224 tel 970-669-2932 fax [orders@hach.com](mailto:orders@hach.com)

Outside United States: 970-669-3050 tel 970-461-3939 fax [int@hach.com](mailto:int@hach.com)

[hach.com](http://hach.com)

Printed in U.S.A.

©Hach Company, 2017. All rights reserved.

*In the interest of improving and updating its equipment, Hach Company reserves the right to alter specifications to equipment at any time.*



Be Right™