

# Weigh/Check In Kiosk

Automated Truck Scale System



Shown with PN 176452

## Standard Features

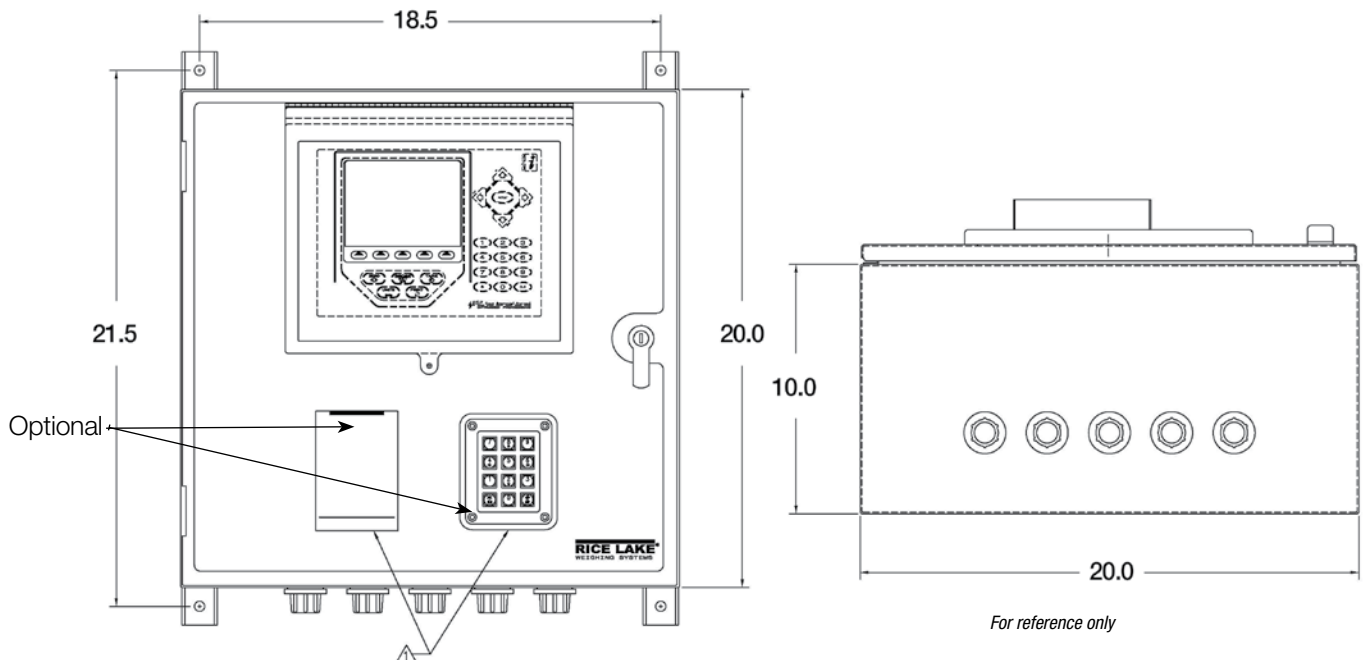
- 920i® HMI with sun shield
- Four serial ports
- 120 VAC
- Two option slots for 920i option cards

## Part Numbers/Price

Part #	Description	Price
153353	Check-in kiosk with 920i HMI, 20 x 20 x 12 in painted mild steel enclosure	\$3,015.00

## Options/Accessories

Part #	Description	Price
119691	Vandal-proof 12-key keypad	\$415.00
176452	HID smart card reader	\$515.00
119692	88 key, panel mount Qwerty style keyboard	\$730.00
119693	200 watt heater	\$515.00
119761	Ethernet unmanaged switch, five-port	\$279.00
119689	Kiosk option, A/D single-channel, includes DIN rail and terminals	\$320.00
119690	Kiosk option, A/D dual-channel, includes DIN rail and terminals	\$475.00
119946	Single port Ethernet server	\$405.00
120040	Dual port Ethernet server	\$565.00



**Standard Features**

- Epson® EU-T482 direct thermal tape printer
- Slide door access to ticket
- 8 in paper roll (PN 105446)

**Printer Kiosk with Intercom**

- Intercom substation AI phone

**Printer Kiosk with Ethernet Intercom**

- Intercom substation AI phone Ethernet TCP/IP

**Specifications**

**Line Voltages:**

115 or 230 VAC

**Frequency:**

50 or 60 Hz

**Power Consumption:**

0.5 amps (depending on options)

**Fusing:**

3.15 amps circuit breaker

**Humidity:**

0-95% relative humidity

**Rating/Material:**

NEMA1

IP10

**Printer Serial Ports:**

RS-232

Ethernet (optional)

**Storage Temperature:**

14 to 158° F (-10 to 70° C)

**Current Supported Riser Plates:**

Zebra® 140XIIIPlus

Zebra 105SL

Zebra R110Xi

Zebra Z4Mplus

Zebra 2746e

Datamax-O'Neil® I-4208

Datamax-O'Neil 4206

Datamax-O'Neil I-4308

Datamax-O'Neil I-4210

Datamax-O'Neil I-4212

Intermec® 3400e

Intermec 4440

**Warranty:**

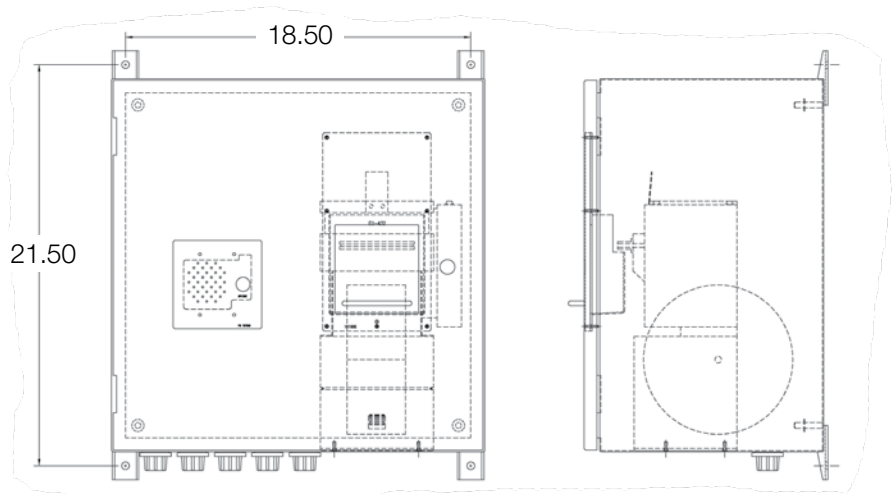
Two-year limited warranty



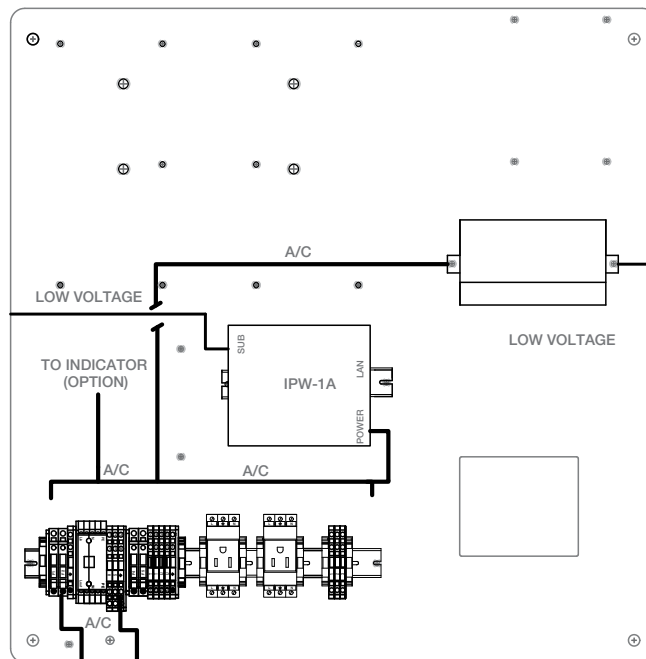
PN 112836



PN 120028



Printer Kiosk with Intercom



Printer Kiosk with Ethernet Intercom