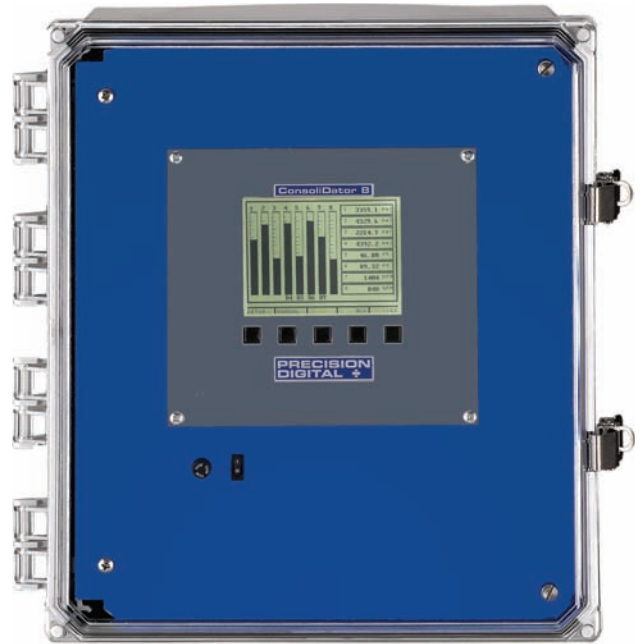


NEMA 4X ENCLOSURES FOR MULTI-CHANNEL CONTROLLERS



Model PDA2901



Model PDA2904

- Fits One PD981 or PD941 Controller
- Stainless Steel Quick-Release Latches
- Hinged Clear Cover
- Hinged Front Mounting Panel
- Fuse Holder & Power Switch
- Optional Sub-Panels
- Optional Mounting Kit

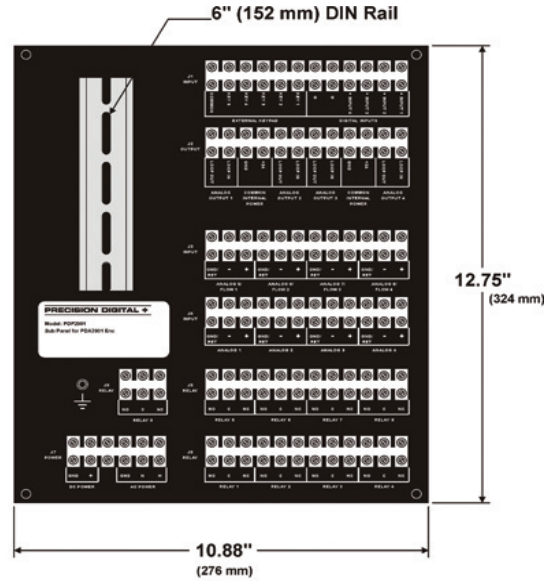
PDA2901

Hinged Front Mounting Panel Easily Accessible for Field Wiring



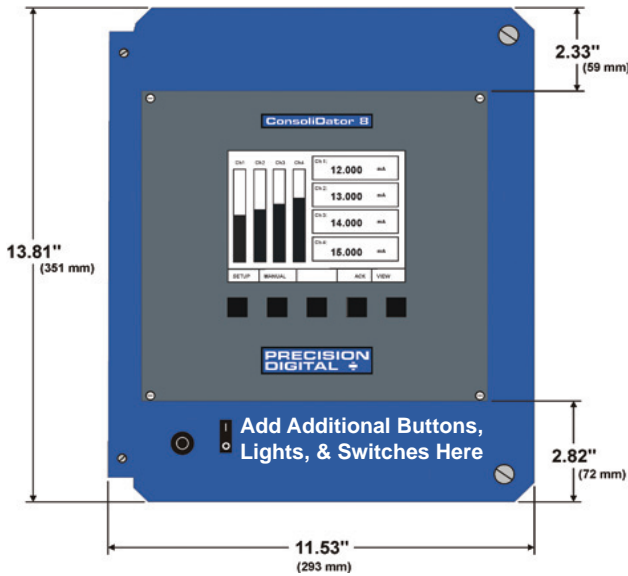
PDA2901 shown with optional sub-panel with terminal strips

Optional PDP2901 Sub-Panel with Terminal Strips Included

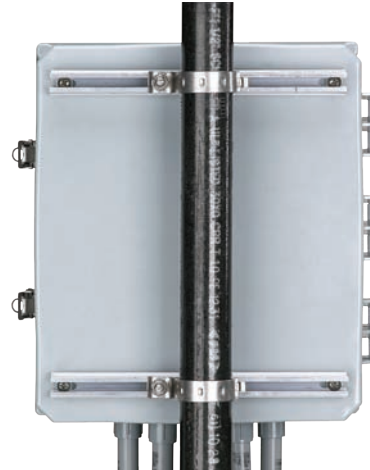


- Terminals accept field wire sizes from 22 - 8 AWG
- Panel silkscreen shows all connections

Add Buttons, Lights, Switches & Labels

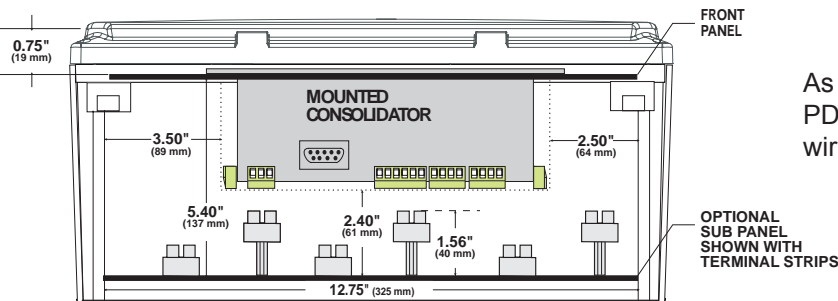


Optional PDA6901 Pipe Mount Kit



The optional PDA6901 pipe mounting kit provides a convenient method to mount the PDA2901 enclosure to a 2" diameter pipe.

Ample Room for Field Wiring Mount Additional Components



As the drawing shown to the left illustrates, the PDA2901 enclosure provides ample room for wiring and mounting additional components.

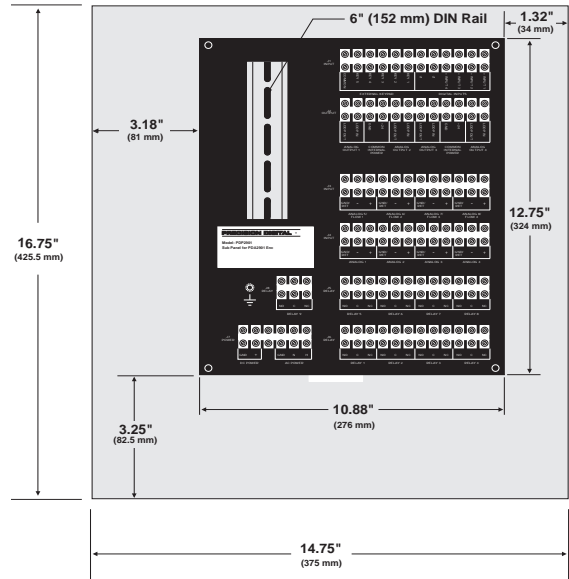
PDA2904

Hinged Front Mounting Panel Easily Accessible for Field Wiring



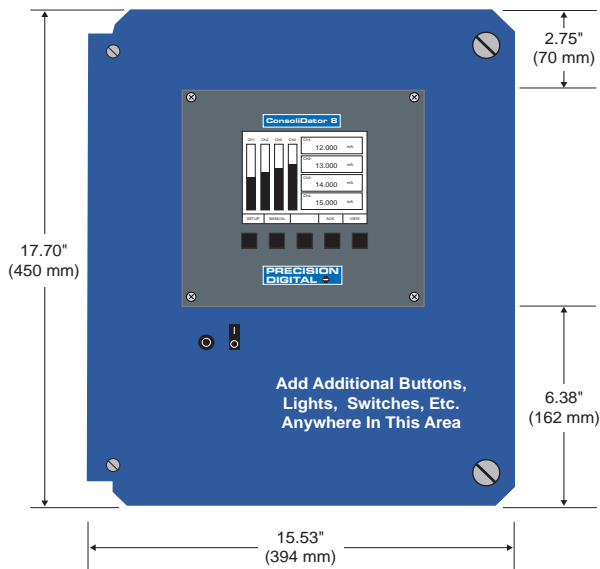
PDA2904 shown with optional sub-panel with terminal strips

Optional PDP2904 Sub-Panel with Terminal Strips Included

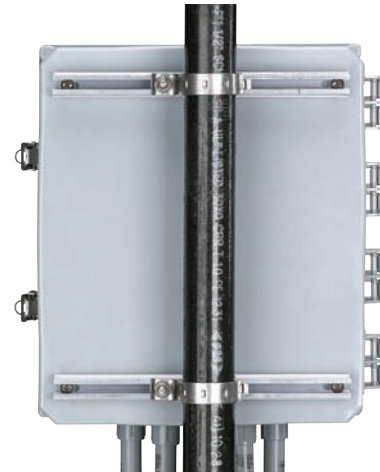


- Terminals accept field wire sizes from 22 - 8 AWG
- Panel silkscreen shows all connections

Add Buttons, Lights, Switches & Labels

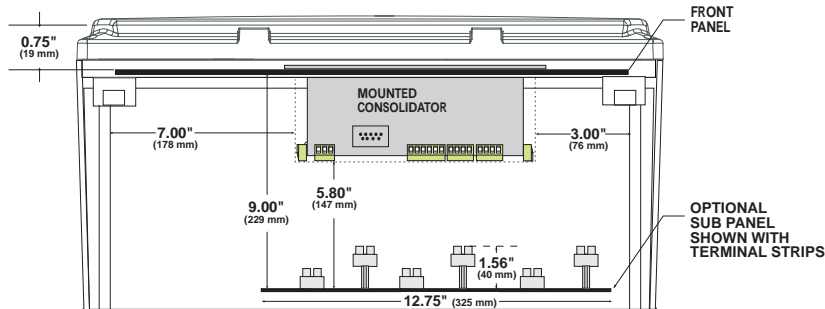


Optional PDA6902 Pipe Mount Kit



The optional PDA6902 pipe mounting kit provides a convenient method to mount the PDA2904 enclosure to a 2" diameter pipe.

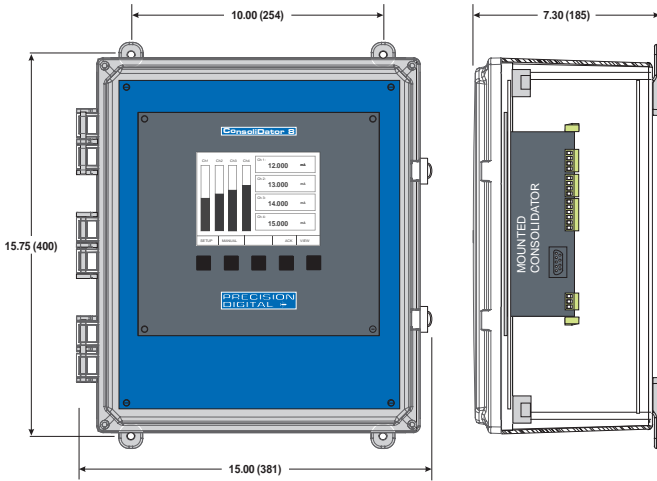
Ample Room for Field Wiring Mount Additional Components



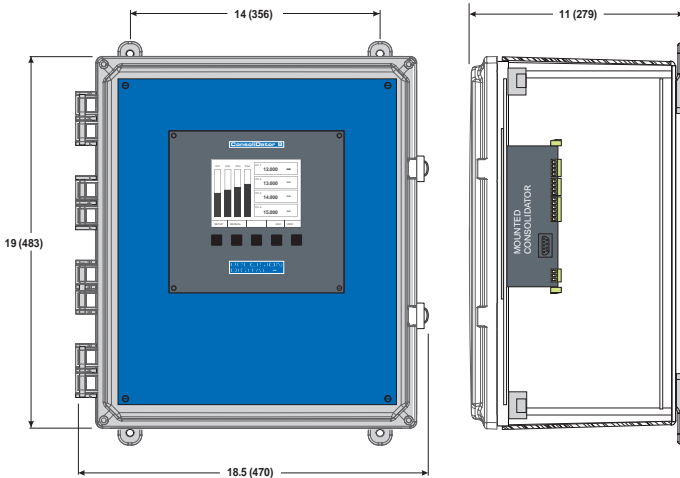
As the drawing shown left illustrates, the PDA2904 enclosure provides ample room for wiring and mounting additional components.

DIMENSIONS

PDA2901



PDA2904



Disclaimer

The information contained in this document is subject to change without notice. Precision Digital Corporation makes no representations or warranties with respect to the contents hereof, and specifically disclaims any implied warranties of merchantability or fitness for a particular purpose.

©2009-2016 Precision Digital Corporation. All rights reserved.

SPECIFICATIONS

PDA2901

Overall Dimensions: 15.00" x 15.75" x 7.30" (W x H x D)
(381 mm x 400 mm x 185 mm)

Inside Dimensions: 12.00" x 14.00" x 6.00" (W x H x D)
(305 mm x 355 mm x 152 mm)

Weight: 9.00 lbs (4.1 kg)

Material: Enclosure and Cover: Polycarbonate; Front Panel: Painted aluminum; Cover Latches: Stainless steel

Optional Sub-Panel: Anodized aluminum

Color: Enclosure: Light gray; Cover: Transparent; Front Panel: Blue
Ratings: Type 1, 2, 3, 3R, 4, 4X, 12, & 12K UL & C-UL Listed Enclosure

PDA2904

Overall Dimensions: 18.50" x 19.00" x 11.00" (W x H x D)
(470 mm x 483 mm x 279 mm)

Inside Dimensions: 16.00" x 18.00" x 9.81" (W x H x D)
(406 mm x 457 mm x 249 mm)

Weight: 16.80 lbs (7.62 kg)

Material: Enclosure and Cover: Polycarbonate; Front Panel: Painted aluminum; Cover Latches: Stainless steel

Optional Sub-Panel: Anodized aluminum

Color: Enclosure: Light gray; Cover: Transparent; Front Panel: Blue
Ratings: Type 1, 2, 3, 3R, 4, 4X, 12, & 12K UL & C-UL Listed Enclosure

ORDERING INFORMATION

NEMA 4X Enclosures	
Model	Description
PDA2901*	NEMA 4X Enclosure for one PD941 or PD981
PDA2904	Large NEMA 4X Enclosure for one PD941 or PD981

Accessories	
Model	Description
PDP2901*	Sub-Panel with Terminal Strips for PDA2901
PDP2902*	Sub-Panel without Terminal Strips for PDA2901
PDP2904	Sub-Panel with Terminal Strips for PDA2904
PDP2905	Sub-Panel without Terminal Strips for PDA2904
PDA6901	2" Pipe Mounting Kit for PDA2901
PDA6902	2" Pipe Mounting Kit for PDA2904

* Quick Shipment Program product, typically shipped within 2 working days.

Your Local Distributor is: