

PD6770

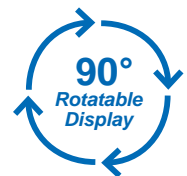
Vantageview Loop-Powered Large Display Process Meter



 vantageview

3 1/2 DIGITS • LARGE DISPLAY

- 4-20 mA Input
- Modern, Sleek and Practical Enclosure for Safe Areas
- 3½ Digits, 1" (25.4 mm) Display
- Display Mountable at 0°, 90°, 180°, & 270° Degrees.
- Easy Calibration and Installation
- Loop-Powered Backlight Option
- 1 V Drop (4 V with Backlight)
- Plastic NEMA 4X, IP65 Enclosure
- Flanges for Wall or Pipe Mounting
- HART® Protocol Transparent
- Operates from -40 to 75°C



SPECIFICATIONS

Except where noted all specifications apply to operation at +25°C.

Display: 3½ digit LCD, 1" (25.4 mm); -1,999 to 1,999

Display Update Rate: 2.5 Updates/Second

Display Orientation: Display may be mounted at 90° increments up to 270° from default orientation

Overrange: Display reads 1 on the left most digit

Programming Method: Four front mounted rotary control dials accessed when the cover is removed.

Recalibration: Recommended at least every 12 months.

Normal Mode Rejection: 60 dB rejection ratio

Operating Temperature Range: -40 to 75°C

Storage Temperature Range: -40 to 75°C

Relative Humidity: 0 to 90% non-condensing

Connections: Screw terminals accept 12 to 22 AWG wire

Enclosure: NEMA 4X, IP65 plastic field enclosure. Color: grey. Material: Polycarbonate with UV Stabilizer. Three ¾" NPT threaded conduit openings. Two ¾" NPT plastic conduit plugs, with 1.29" wrenching flats and a screwdriver slot, are included.

Mounting: May be mounted directly to conduit. Two slotted flanges for wall mounting or NPS 1½" to 2½" or DN 40 to 65 mm pipe mounting.

Overall Dimensions: 5.67" x 5.25" x 4.18"
(144 mm x 133 mm x 106 mm) (W x H x D)

Weight: 1.65 lbs (26.4 oz, .75 kg)

Warranty: 3 years parts and labor

Input

Input: 4-20 mA

Accuracy: ±0.1% of full span ±1 count

Temperature Drift: 150 PPM/°C from -40 to 75°C ambient

Decimal Point: User selectable decimal point

Calibration Range: 4 mA input: -1000 to +1000; 20 mA between 20 and 2000 counts greater than 4 mA display. Two point linear display span.

Maximum Voltage Drop: 1 VDC @ 20 mA without backlight; 4 VDC @ 20 mA with loop-powered backlight.

Input Overload: Over current protection to 2 A max.

Loop-Powered Backlight Option: Factory installed only. Powered directly from the 4-20 mA loop, no batteries required. Backlight can be enabled or disabled via alternative wiring of terminal block. The display brightness will increase as the input signal current increases.

Disclaimer

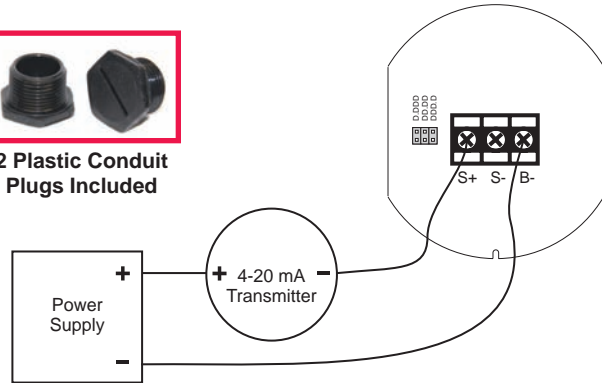
The information contained in this document is subject to change without notice. Precision Digital Corporation makes no representations or warranties with respect to the contents hereof, and specifically disclaims any implied warranties of merchantability or fitness for a particular purpose.

©2013-2016 Precision Digital Corporation. All rights reserved.

CONNECTIONS

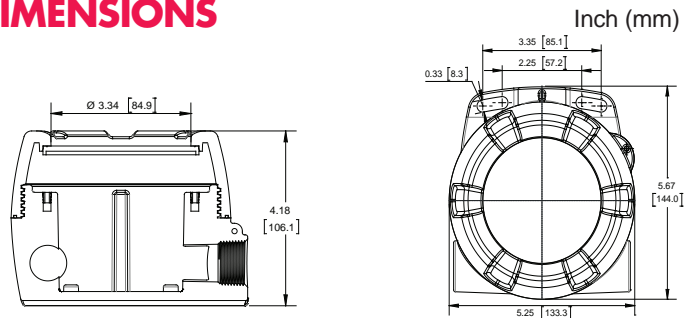


2 Plastic Conduit Plugs Included



PD6770 Input Connections with Loop-Powered Backlight

DIMENSIONS



ORDERING INFORMATION

Vantageview PD6770 • Large Display Process Meter	
Model	Description
PD6770-0L0	Loop-Powered Process Meter
PD6770-0K0	Loop-Powered Process Meter with Backlight



Your Local Distributor is: