

Insertion Magmeter in Stainless Steel

8045



1/2" to 16", Up to 232 PSI

- Simple to read display
- Direct interface with PLC's
- Easy push button menu

Please add fitting from page 65

With a stainless steel insertion finger and high quality electronic display module this unit is perfect for contaminated or aggressive fluids. 4 to 20 mA and pulse output with optional 3A relays makes this a flexible solution for flow control, batching or CIP control in FDA applications.

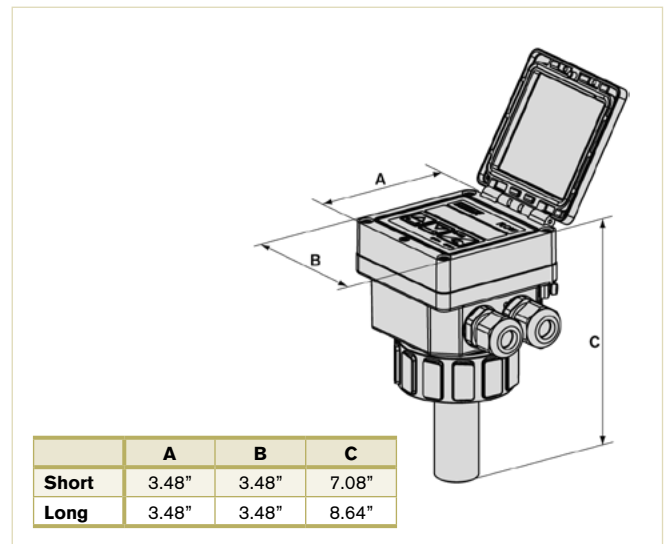
Technical Data

Size range	1/2" - 16"
Measuring ranges	0.7 - 33 ft/s
Measuring error (teach in)	≤ ±2% o.R. (3.28-32.81 ft/s)
Measuring error	≤ ±4% o.R. (3.28-32.81 ft/s)
Linearity	≤ ±(1% o.R. + 0.1% o.FS)
Repeatability	±0.25% o.R.
Housing material	PPA
Electrode Material	316L SS
Mag-sensor Material	316L SS (FDA compliant)
O-rings	FKM
Max. Fluid Temperature	212 °F
Ambient temperature range	14 °F to 140 °F
Max. fluid pressure	232 PSI (depending on fitting)
Fluid conductivity	> 20 µS (Micro-Siemens)
Voltage supply	18...36 VDC
Current consumption Max.	≤ 300 mA
Electrical Protection	Short circuit and reversed polarity protected
Electrical connections	M20 cable glands (optional 1/2" conduit)
Outputs	4 ... 20 mA Transistor, Max. 100mA, frequency 0...240 Hz Relay output 3 A/250 VAC
Output Load	Max. 1300 Ω at 36 V Max. 700 Ω at 18 V
Ingress protection	IP65

Options

- PVDF finger for 176 °F and 87 PSI with PC housing
- Hastelloy electrodes

Envelope Dimensions [inch] (see datasheet for details)



Ordering Chart for transmitter 8045

Relays	Sensor	Connector	Item no.
No	Short	2 cable glands M20	449 670
	Long	2 cable glands M20	449 672
2	Short	2 cable glands M20	449 671
	Long	2 cable glands M20	449 673

Note: Delivered with 1 set 551 775 and 1 EPDM gasket.