

# sc200™ UNIVERSAL CONTROLLER

## Applications

- Drinking Water
- Wastewater
- Industrial Water
- Power



## One Controller for the Broadest Range of Sensors.

Choose from 30 digital and analog sensor families for up to 17 different parameters.

### Maximum Versatility

The sc200 controller allows the use of digital and analog sensors, either alone or in combination, to provide compatibility with Hach's broad range of sensors, eliminating the need for dedicated, parameter-specific controllers.

### Ease of Use and Confidence in Results

Large, high-resolution, transreflective display provides optimal viewing resolution in any lighting condition. Guided calibration procedures in 19 languages minimize complexity and reduce operator error. Password-protected SD card reader offers a simple solution for data download and transfer. Visual warning system provides critical alerts.

### Wide Variety of Communication Options

Utilize two to five analog outputs to transmit primary and secondary values for each sensor, or integrate Hach sensors and analyzers into MODBUS RS232/RS485, Profibus® DP, and HART networks.



*Password protected SD card reader offers a simple solution for data download and transfer, and sc200 and digital sensor configuration file duplication and backup.*



Be Right™

## Controller Comparison



Features	Previous Models		sc200™ Controller	Benefits
	sc100™ Controller	GLI53 Controller		
<b>Display</b>	64 x 128 pixels 33 x 66 mm (1.3 x 2.6 in.)	64 x 128 pixels 33 x 66 mm (1.3 x 2.6 in.)	160 x 240 pixels 48 x 68 mm (1.89 x 2.67 in.) Transreflective	<ul style="list-style-type: none"> <li>Improved user interface—50% bigger</li> <li>Easier to read in daylight and sunlight</li> </ul>
<b>Data Management</b>	irDA Port/PDA Service Cable	N/A	SD Card Service Cable	<ul style="list-style-type: none"> <li>Simplifies data transfer</li> <li>Standardized accessories/ max compatibility</li> </ul>
<b>Sensor Inputs</b>	2 Max Direct Digital Analog via External Gateway	2 Max Analog Depending on Parameter	2 Max Digital and/or Analog with Sensor Card	<ul style="list-style-type: none"> <li>Simplifies analog sensor connections</li> <li>Works with analog and digital sensors</li> </ul>
<b>Analog Inputs</b>	N/A	N/A	1 Analog Input Signal Analog 4-20mA Card	<ul style="list-style-type: none"> <li>Enables non-sc analyzer monitoring</li> <li>Accepts mA signals from other analyzers for local display</li> <li>Consolidates analog mA signals to a digital output</li> </ul>
<b>4-20 mA Outputs</b>	2 Standard	2 Standard	2 Standard Optional 3 Additional	<ul style="list-style-type: none"> <li>Total of five (5) 4-20 mA outputs allows multiple mA outputs per sensor input</li> </ul>
<b>Digital Communication</b>	MODBUS RS232/RS485 Profibus DP V1.0	HART	MODBUS RS232/RS485 Profibus DP V1.0 HART 7.2	<ul style="list-style-type: none"> <li>Unprecedented combination of sensor breadth and digital communication options</li> </ul>

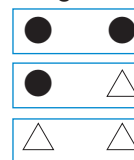
## Choose from Hach's Broad Range of Digital and Analog Sensors

Parameter	Sensor	Digital or Analog
Ammonia	AMTAX™ sc, NH4D sc, AISE sc, AN-ISE sc	●
Chlorine	CLF10 sc, CLT10 sc, 9184 sc	●
Chlorine Dioxide	9185 sc	●
Conductivity	GLI 3400 Contacting, GLI 3700 Inductive	△
Dissolved Oxygen	LDO® Model 2, 5740 sc	●
Dissolved Oxygen	5500	△
Flow	U53, F53 Sensors	△
Nitrate	NITRATAX™ sc, NO3D sc, NISE sc, AN-ISE sc	●
Oil in Water	FP360 sc	●
Organics	UVAS sc	●
Ozone	9187 sc	●
pH/ORP	pHD	●
pH/ORP	pHD, pH Combination, LCP	△
Phosphate	PHOSPHAX™ sc	●
Sludge Level	SONATAX™ sc	●
Suspended Solids	SOLITAX™ sc, TSS sc	●
Turbidity	1720E, FT660 sc, SS7 sc, ULTRATURB sc, SOLITAX sc, TSS sc	●
Ultra Pure Conductivity	8310, 8311, 8312, 8315, 8316, 8317 Contacting	△
Ultra Pure pH/ORP	8362	△

● = Digital    △ = Analog

Connect up to two of any of the sensors listed above, in any combination, to meet your application needs. The diagrams below demonstrate the potential configurations. Operation of analog sensors requires the controller to be equipped with the appropriate sensor module. Contact Hach Technical Support for help with selecting the appropriate module.

### 2 Channel Configurations



### 1 Channel Configurations



## Specifications\*

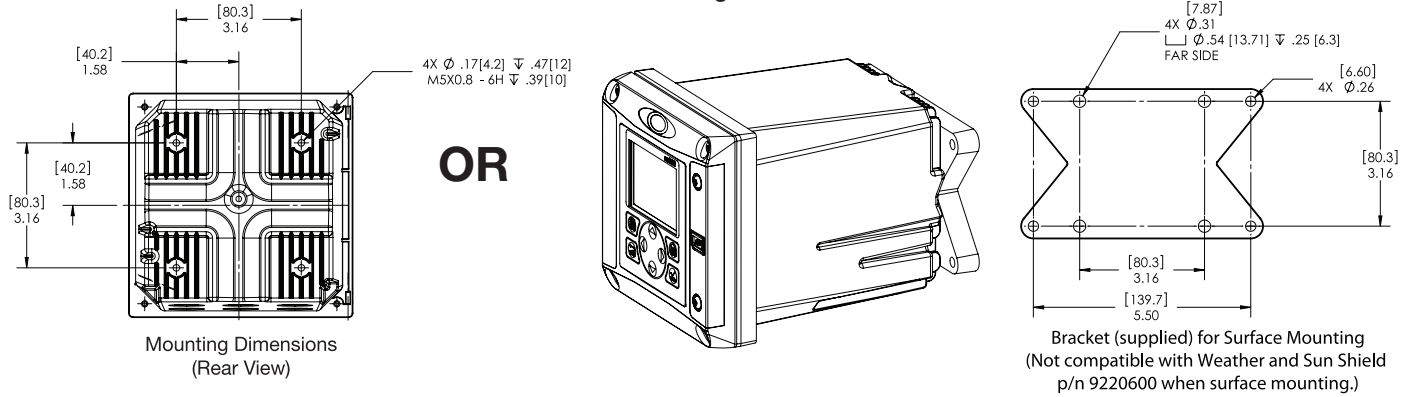
<b>Dimensions (H x W x D)</b>	5.7 in x 5.7 in x 7.1 in (144 mm x 144 mm x 181 mm)
<b>Display</b>	Graphic dot matrix LCD with LED backlighting, transreflective
<b>Display Size</b>	1.9 x 2.7 in. (48 mm x 68 mm)
<b>Display Resolution</b>	240 x 160 pixels
<b>Weight</b>	3.75 lbs. (1.70 kg)
<b>Power Requirements (Voltage)</b>	100 - 240 V AC, 24 V DC
<b>Power Requirements (Hz)</b>	50/60 Hz
<b>Operating Temperature Range</b>	-20 to 60 °C , 0 to 95% RH non-condensing
<b>Analog Outputs</b>	Two (Five with optional expansion module) to isolated current outputs, max 550 Ω , Accuracy: ± 0.1% of FS (20mA) at 25 °C, ± 0.5% of FS over -20 °C to 60 °C range
<b>Analog Output Functional Mode</b>	Operational Mode: measurement or calculated value Linear, Logarithmic, Bi-linear, PID
<b>Security Levels</b>	2 password-protected levels
<b>Mounting Configurations</b>	Wall, pole, and panel mounting
<b>Enclosure Rating</b>	NEMA 4X/IP66
<b>Conduit Openings</b>	1/2 in NPT Conduit
<b>Relay: Operational Mode</b>	Primary or secondary measurement, calculated value (dual channel only) or timer

<b>Relay Functions</b>	Scheduler (Timer), Alarm, Feeder Control, Event Control, Pulse Width Modulation, Frequency Control, and Warning
<b>Relays</b>	Four electromechanical SPDT (Form C) contacts, 1200 W, 5 A
<b>Communication</b>	MODBUS RS232/RS485, PROFIBUS DPV1, or HART 7.2 optional
<b>Memory Backup</b>	Flash memory
<b>Electrical Certifications</b>	EMC CE compliant for conducted and radiated emissions: - CISPR 11 (Class A limits) - EMC Immunity EN 61326-1 (Industrial limits) Safety cETLus safety mark for: - General Locations per ANSI/UL 61010-1 & CAN/CSA C22.2. No. 61010-1 - Hazardous Location Class I, Division 2, Groups A,B,C & D (Zone 2, Group IIC) per FM 3600 / FM 3611 & CSA C22.2 No. 213 M1987 with approved options and appropriately rated Class I, Division 2 or Zone 2 sensors cULus safety mark - General Locations per UL 61010-1 & CAN/CSA C22.2. No. 61010-1

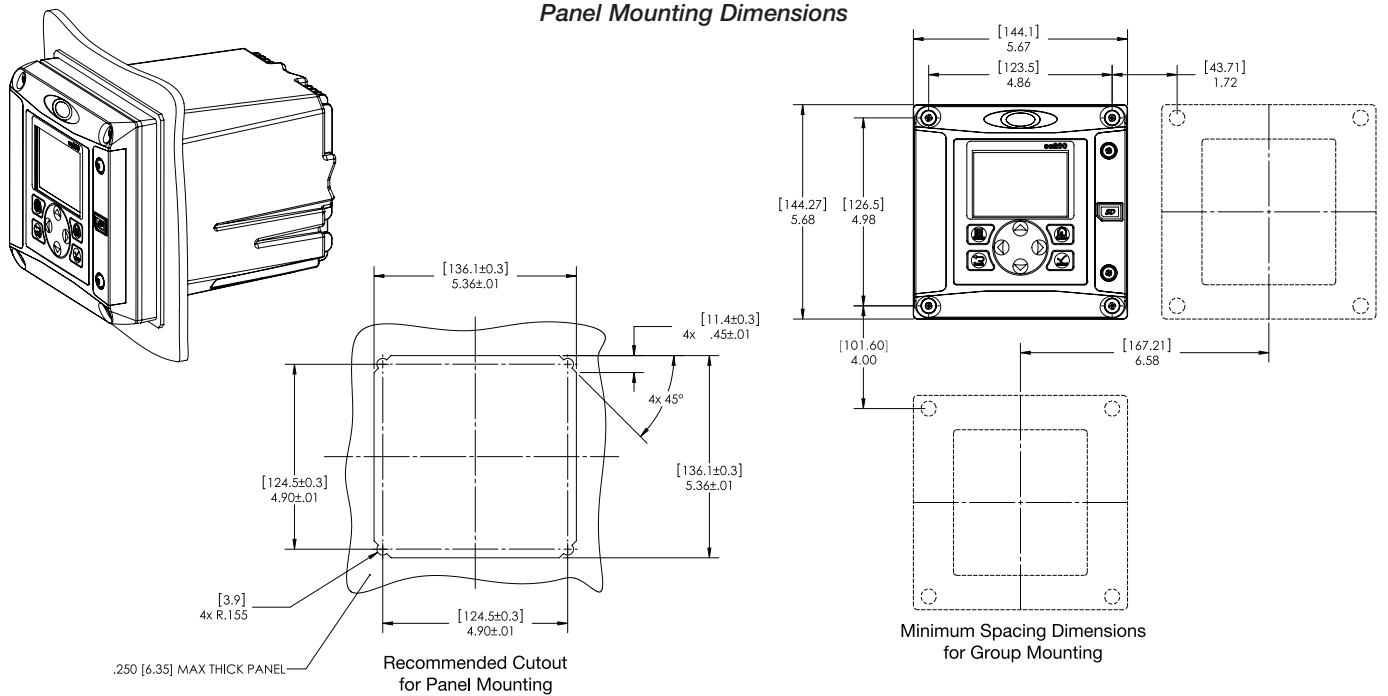
\*Subject to change without notice.

## Dimensions

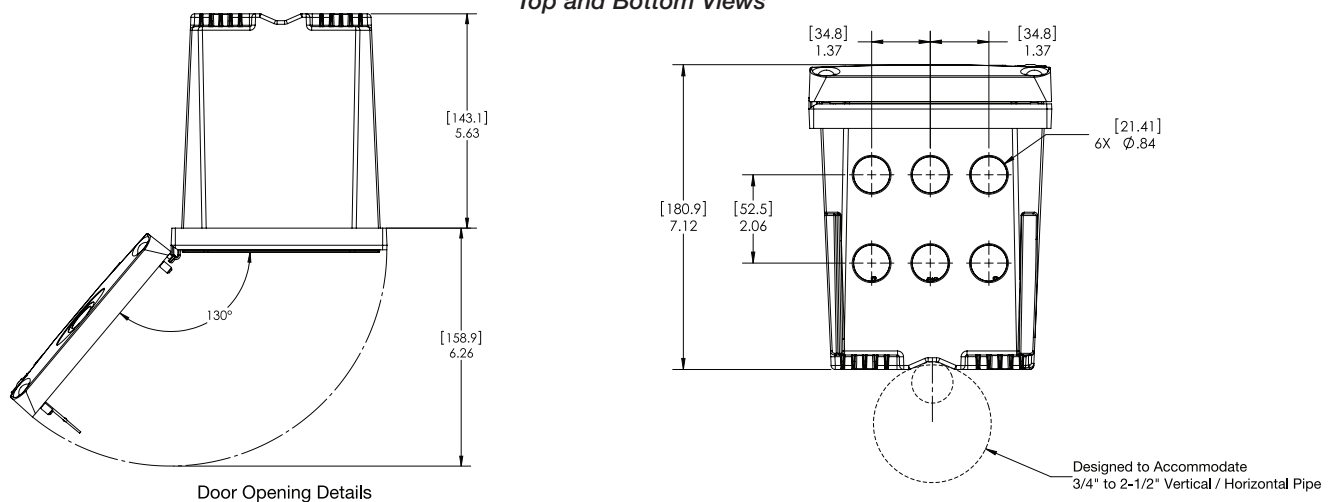
### Surface Mounting Dimensions



### Panel Mounting Dimensions



### Top and Bottom Views



## Ordering Information

### sc200 for Hach Digital and Analog Sensors

<b>LXV404.99.00552</b>	sc200 controller, 2 channels, digital
<b>LXV404.99.00502</b>	sc200 controller, 1 channel, digital
<b>LXV404.99.00102</b>	sc200 controller, 1 channel, pH/DO
<b>LXV404.99.00202</b>	sc200 controller, 1 channel, Conductivity
<b>LXV404.99.01552</b>	sc200 controller, 2 channels, digital, Modbus RS232/RS485
<b>LXV404.99.00112</b>	sc200 controller, 2 channel, pH/DO

Note: Other Sensor combinations are available. Please contact Hach Technical Support or your Hach representative.

Note: Communication options (MODBUS, Profibus DPV1, and HART) are available. Please contact Hach Technical Support or your Hach representative.

### sc200 for Ultrapure Sensors

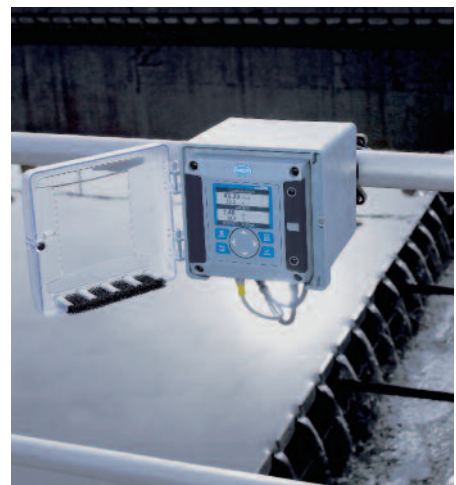
<b>9500.99.00602</b>	sc200 controller, 1 channel, ultrapure conductivity
<b>9500.99.00702</b>	sc200 controller, 1 channel, ultrapure pH
<b>9500.99.00662</b>	sc200 controller, 2 channel, ultrapure conductivity
<b>9500.99.00772</b>	sc200 controller, 2 channel, ultrapure pH

### Sensor and Communication Modules

<b>9012900</b>	Analog pH/ORP and DO module for GLI Sensors
<b>9013000</b>	Analog Conductivity module for GLI Sensors
<b>9012700</b>	Flow module
<b>9012800</b>	4-20 mA Input Module
<b>9525700</b>	Analog pH/ORP Module for Polymetron Sensors
<b>9525800</b>	Analog Conductivity Module for Polymetron Sensors
<b>9013200</b>	Modbus 232/485 Module
<b>9173900</b>	Profibus DP Module
<b>9328100</b>	HART Module
<b>9334600</b>	4-20 mA Output Module (Provides 3 additional mA Outputs)

### Accessories

<b>9220600</b>	sc200 Weather and Sun Shield with UV Protection Screen
<b>8809200</b>	sc200 UV Protection Screen
<b>9218200</b>	SD card reader (USB) for connection to PC
<b>9218100</b>	4 GB SD card



## HACH COMPANY World Headquarters: Loveland, Colorado USA

United States: 800-227-4224 tel 970-669-2932 fax orders@hach.com  
 Outside United States: 970-669-3050 tel 970-461-3939 fax int@hach.com  
**hach.com**

LIT2665 Rev 7  
 K13 Printed in U.S.A.

©Hach Company, 2013. All rights reserved.

*In the interest of improving and updating its equipment,  
 Hach Company reserves the right to alter specifications to equipment at any time.*



Be Right™