

# JRPHH Series

## HYDRAULIC HIGH PRESSURE- PRESSURE REDUCING REGULATORS

The hydraulic, high pressure JRPHH Series pressure reducing regulators are piston sensed and designed for inlet and outlet pressures up to 10,000 PSIG (689 bar). JRPHH Series regulators feature a wide range of inlet and outlet configurations, Cv: 0.06 or 0.2, adjustable captured venting, and compatibility with a broad range of media.

### FEATURES

---

- Piston Sensed
- Main valve cartridge
- Adjustable captured vent
- Black anodized aluminum knob
- Machined bar stock body, bonnet and piston eliminates porosity found in castings
- NACE MR0175 compatible materials are available
- Dome loaded, and Air Actuated options available.
- 15000 PSIG (1034.21 bar) models available



\*The JRPHH Series pressure reducing regulator's design is remarkably flexible.  
Contact Lowflow Valve for a custom J600 Series regulator to meet your exact needs.

## JRPHH SERIES SPECIFICATIONS

### Specifications

- **Maximum Inlet Pressure:**
  - 10000 Psig (689.5 Bar) (Stainless Steel, standard)
  - 6000 Psig (413.7 Bar) (Brass)
- **Control Pressure Ranges:**
  - 5-500 Psig (0.35-34.5 Bar)
  - 5-800 Psig (0.35-55.2 Bar)
  - 10-1500 Psig (0.69-103.4 Bar)
  - 15-2500 Psig (1.0-172.4 Bar)
  - 25-4000 Psig (1.7-275.8 Bar)
  - 50-6000 Psig (3.4-413.7 Bar)
  - 100-10000 Psig (6.9-689.5 Bar)
- **Flow Capacity:**
  - Main Valve Cv: 0.06 or 0.20
  - Vent Valve Cv: 0.06
- **Design Proof Pressure:** 150% maximum rated
- **Operating Temperature:**
  - -15°F/-26°C to 165°F/74°C (Buna-N)
  - -4°F/-20°C to 165°F/74°C (Viton®)
  - -65°F/-54°C to 165°F/74°C (EPDM)
  - 0°F/-17°C to 165°F/74°C (KALREZ®)
  - 15°F/-9°C to 165°F/74°C (ALFAS)
  - -50°F/-45°C to 165°F/74°C (Nitrile, Lo-Temp)

### Materials of Construction

- **Body:** 316 Stainless Steel or SAE 360 Brass
- **Bonnet:** 17-4 Stainless Steel
- **Piston:** 316 Stainless Steel
- **Valve Stem:** 17-4 Stainless Steel
- **Valve Seat:** 17-4 Stainless Steel
- **Wetted Parts:** 316 Stainless Steel & 17-4 Stainless Steel
- **Seals:** Viton®, Buna-N, EPDM or Kalrez®, AFLAS, Nitrile (Lo-Temp)
- **Back-Up Rings:** PTFE & PCTFE

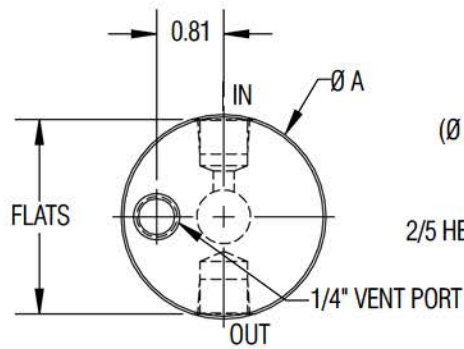
### Porting

- **Inlet/Outlet Port:**
  - 1/4" SAE J1926, AS5202, or medium pressure
  - 3/8" SAE J1926, AS5202, or medium pressure
  - 1/2" SAE J1926, AS5202
  - 9/16" medium pressure
- **Vent Port:**
  - 1/4" FNPT, SAE J1926, AS5202, NPTF or medium pressure
- **Gauge Ports:** 1/4" FNPT

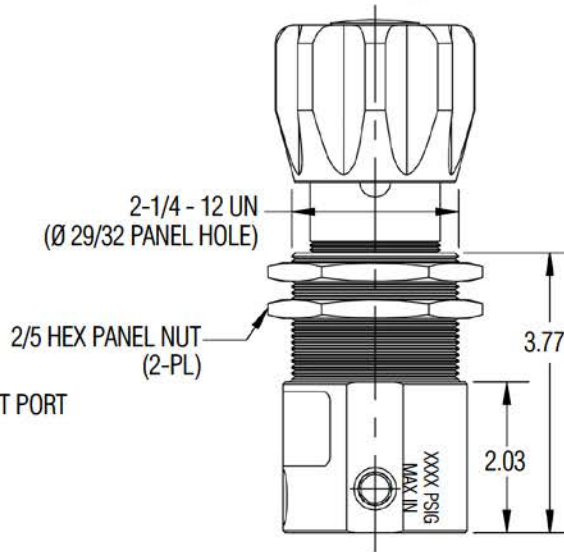
### Optional Items

- Gauges
- Non-venting
- Air Loaded Design

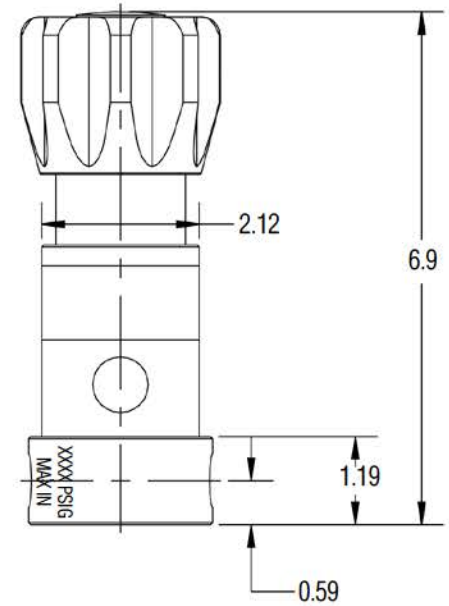
**JRPHH SERIES DIMENSIONS**



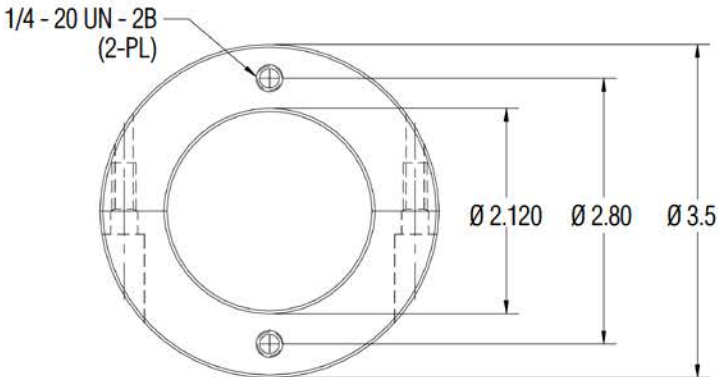
**Panel Nut Style**



**Panel Mounting Bracket Style**



PORT TYPE	Ø A	FLATS
NPT, NPTF	Ø2.48	--
1/4" OTHER	Ø2.48	2.36
3/8" OTHER	Ø2.98	2.81
1/2" SAE	Ø3.23	3.00
9/16" M.P.	Ø3.23	3.00



**Optional Panel Mounting Bracket**

**J600 SERIES ORDERING SCHEMATIC**

Model	1 & 2	3	4	5	6	7	8 & 9	10
JRPHH	/							

Model	
JRPHH	Hydraulic Regulator

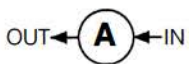
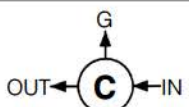
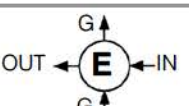
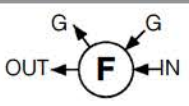
1 & 2	Body Style
MB*	Mounting Bracket Style Body
PN*	Threaded Panel Nut Style Body

\* Mounting bracket & panel nuts sold separately

3	Range Spring
1	5 - 500 psi (0.35 - 34.5 bar)
2	5 - 800 psi (0.35 - 55.2 bar)
3	10 - 1500 psi (0.69 - 103.4 bar)
4	15 - 2500 psi (1.0 - 172.4 bar)
5	25 - 4000 psi (1.7 - 275.8 bar)
6	50-6000 psi (3.4 - 413.7 bar)
7	100 - 10000 psi (6.9 - 689.5 bar)*

\* Stainless Steel body & bonnet

4	Trim
0	0.06 Cv
2	0.2 Cv

5	Port Configuration
A	
C	
E	
F	

6	Port Size
4	1/4" (DN8)
6	3/8" (DN10)
8*	1/2" (DN15)
9**	9/16"

\* Ports not available in medium pressure

\*\* Ports only available in medium pressure

7	Port Type
1	FNPT
2	SAE J1926
3	SAE AS5202
4	Medium
6	NPTF

8 & 9	O-Ring Material
00	BUNA-N
01	AFLAS
02	VITON-A
05	EPDM
11	KALREZ
12	NITRILE (Lo-Temp)

10	Options
N	NACE MR0175
B	Brass Body
NV	Non-Venting