

# Tuning-Fork Level Switch

8110 / 8111

## 3/4" and 1", Up to 900 PSI

- For universal use as overflow or dry run protection system
- Hygienic surface finish
- Extension length in stock



Type 8110



Type 8111

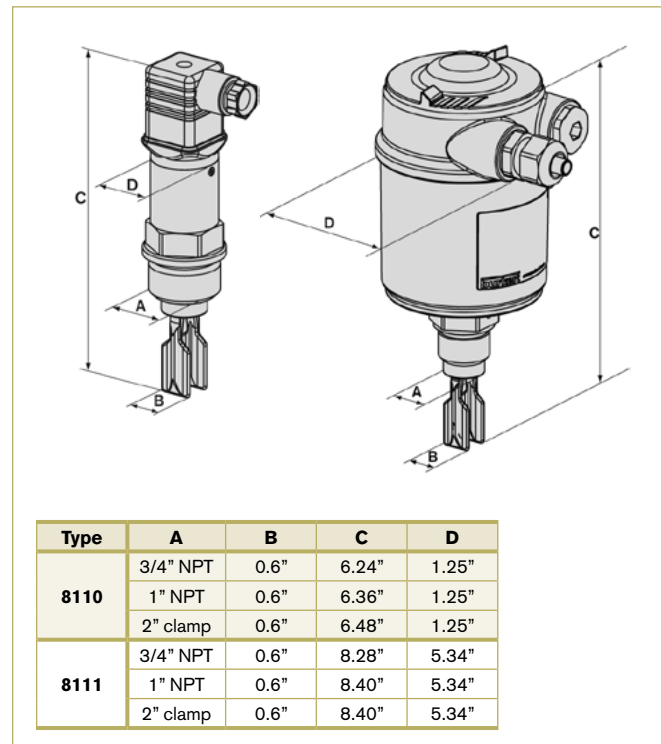
**8110** - Level switch tuning fork in a compact stainless steel design. Simple setup without adjustment makes this perfect for deployment into process environments. The 40mm fork offers a clear, reliable measurement and high immunity to turbulence, foam, air bubbles and buildup

**8111** - Tuning fork relay switch for rugged process environments. Super-BRIGHT visual output lets the user know the status from a distance. This device provides peace of mind from overflow or run dry and can be installed in utility or clean tanks and pipes.

### Technical Data

Type	8110	8111
<b>Process Connection</b>	3/4" NPT, 1" NPT or 1" hygienic clamp	3/4" NPT, 1" NPT or 1" hygienic clamp
<b>Max. Fluid Temperature</b>	212 °F NPT 302 °F Clamp	302 °F NPT 302 °F Clamp
<b>Materials</b>	Stainless / PBT housing Stainless steel forks Klingersil seal	Stainless / PEI housing Stainless steel forks Klingersil seal
<b>Max. fluid pressure</b>	928 PSI	928 PSI
<b>Voltage supply</b>	10...55 VDC / Max. 0.5 W	20...253 VAC (5 A), 50-60 Hz, or 20...72 VDC
<b>Electrical connections</b>	M12	M20 cable glands (optional 1/2" conduit)
<b>Outputs</b>	Transistor output PNP, 250 mA	Relay (DPDT), 2 floating SPDTs
<b>Ingress protection</b>	IP66 and 67, NEMA 4X	IP66 and 67, NEMA4X

### Envelope Dimensions [inch] (see datasheet for details)



### Options

#### 8110

- DIN 11851, Flange, SMS, BioControl connections
- ECTFE, enamel, Hastelloy C4 or PFA
- Higher temperatures on request

#### 8111

- Various length extensions (8112)
- ATEX approvals
- DIN 11851, Flange, SMS, BioControl connections
- ECTFE, enamel, Hastelloy C4 or PFA
- Higher temperatures on request

### Ordering Chart

Process connection	Electrical connection	Item no.
<b>8110</b>		
3/4" NPT	Multipin M12	557 154
1" NPT	Multipin M12	557 155
2" Clamp	Multipin M12	555 294
<b>8111</b>		
3/4" NPT	2 x M20 Cable glands	558 111
1" NPT	2 x M20 Cable glands	558 113
2" Clamp	2 x M20 Cable glands	558 114

Extension tubes are available from stock (see datasheet 8112).