



- Beautiful process oriented design
- Intuitive menu structure
- Removable programming puck

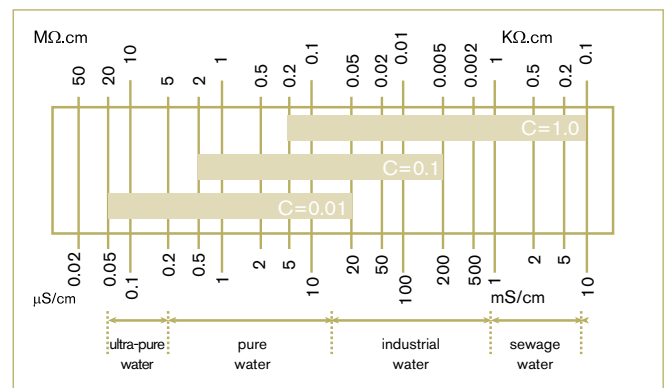
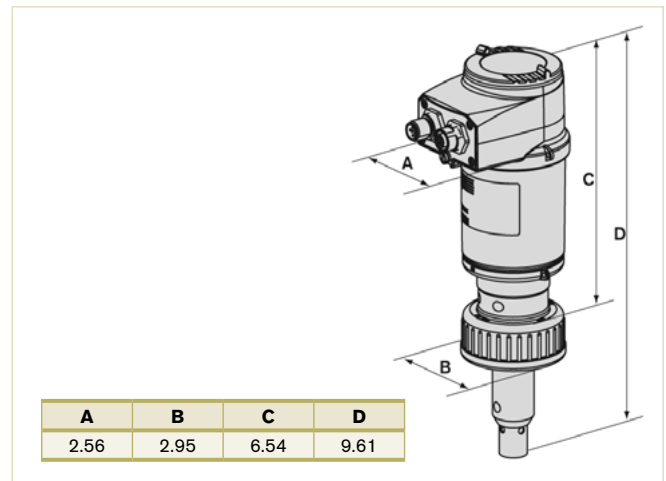
Please add fitting from page 84

Conductivity transmitter with programmable outputs. Conductivity and temperature output via single or dual analog 4-20 mA. Two transistor outputs are also included. Transmitters are engineered for a wide scope of measuring ranges and can be delivered in 2-wire or 3-wire configurations. Intelligent, integrated, beautiful design fits perfectly with an assortment of easily configured fittings.

Technical Data

Measuring range	0.05 $\mu\text{S/cm}$... 10 mS/cm , -4 ... +266 °F
Measuring error	$\pm 3\%$ of measured value, ± 1.8 °F
Temperature compensation	Automatic via integrated temperature sensor acc. to a predefined graph (NaCl or ultra-pure water)
Available Fitting Materials	Stainless, PP, PVC
Housing material	Stainless steel, PPS, PC
Insertion finger	PVDF/SS for 0.01 or 0.1; graphite for 1.0
O-rings	EPDM
Fluid Temperature	-4 °F...+212 °F (depending on fitting) (PVC 32 ... 122 °F)
Max. fluid pressure	232 PSI (depending on fitting)
Ambient temperature	14 °F to 140 °F
Storage temperature	14 °F to 140 °F (without probe)
Ingress protection	IP65, IP67, NEMA4X
Voltage supply	14...36 VDC for 2-wire models 12...36 VDC for 3-wire models
Protection	Reversed polarity of DC and peak protected
Accreditations	UL Recognized
Outputs	4-20 mA configurable temperature or conductivity 2 Transistors, configurable, open collector, 700 mA Max., 0.5 A Max. per transistor if the 2 transistor output are wired
Output Load	< 1100 Ω at 36 V < 610 Ω at 24 V < 180 Ω at 14 V

Envelope Dimensions [inch] (see datasheet for details)



The electrode is selected according to the measuring range and medium by using this table.

Ordering Chart

Voltage supply	Output	Sensor version	Item no.	
			PVC	PVDF
14-36 V DC	2 x transistors + single 4-20 mA for process conductivity only 5-pin M12 male fixed connector	C = 0.01	562 394	562 396
		C = 0.10	559 624	559 626
		C = 1.00	559 638	559 622
12-36 V DC	2 x transistors + dual 4-20 mA for both temperature and conductivity, 5-pin M12 male and 5-pin M12 female fixed connectors	C = 0.01	562 395	562 397
		C = 0.10	559 625	559 627
		C = 1.00	559 639	559 623

Accessories (see previous page)