

Kiosk Safety Swing-away Arm

Self Centering Kiosk Mount

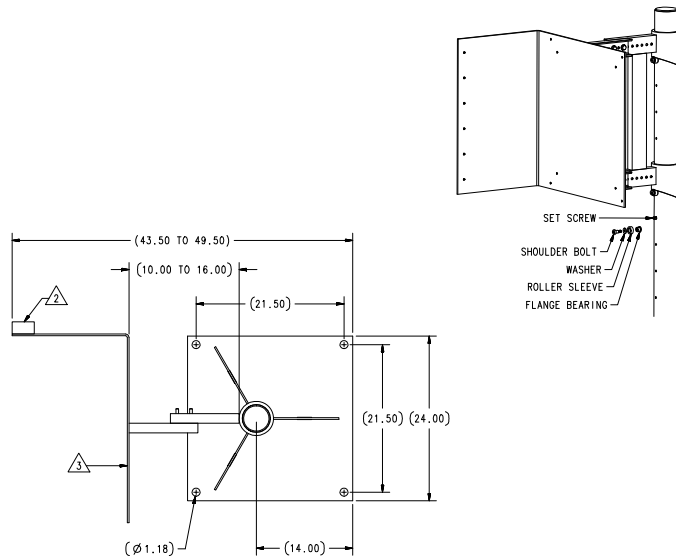
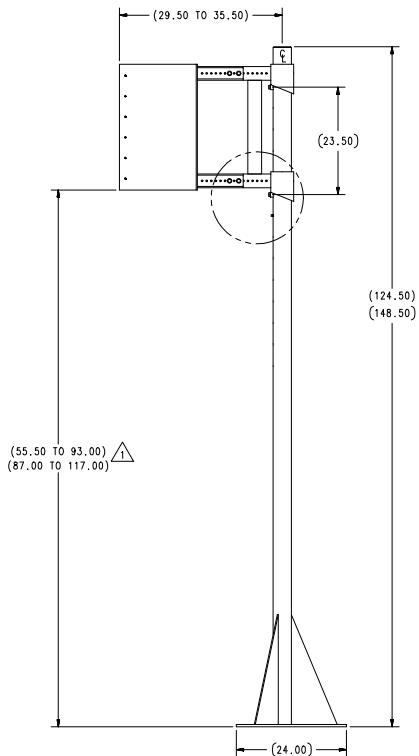


Standard Features

- Protects all kiosks from truck mirrors, fenders and cabs
- Swings away freely and returns to center position
- Universal mount accommodates a wide variety of kiosks
- Includes mounting pole and base stand
- Adjustable vertical and horizontal mounting

Part Number/Price

Part #	Description	Price
109164	Complete kit for pit type scale (10 ft pole, red paint)	\$1,075.00
109163	Complete kit for aboveground scale (12 ft pole, red paint)	\$1,095.00
105939	Weldment, swing arm, kiosk (red)	\$575.00
105941	Pole weldment, 10 ft supported/free standing, 4.5 in o.d. (red paint)	\$465.00
105940	Pole weldment, 12 ft supported/free standing, 4.5 in o.d. (red paint)	\$515.00
110606	Weldment, swing arm 24 x 24 x 16 in side discharge printer kiosk (red paint)	\$565.00
155435	Weldment, swing arm 30 x 24 x 16 in side discharge printer kiosk (red paint)	\$760.00
178074	Complete kit for pit type scale (10 ft pole, yellow paint)	\$1,075.00
178073	Complete kit for aboveground scale (12 ft pole, yellow paint)	\$1,095.00
178077	Pole weldment, 10 ft supported free standing 4.5 in outer dimension (yellow)	\$465.00
178076	Pole weldment, 12 ft supported free standing 4.5 in outer dimension (yellow)	\$515.00
178075	Weldment, swing arm kiosk (yellow)	\$575.00
Consult	Custom paint	+\$200.00 add on



Vehicle Loop Detector



Standard Features

- Loop diagnostics
- Loop isolation transformer
- Loop conditioner
- Aluminum RF shield housing
- Surge protection
- Loop frequency counter
- Ten gold plated sensitivity controls
- Eight gold plated function controls
- Six gold plated controls for frequency, reset and frequency counter
- Two high intensity LED indicators
- Two relays—relay 2 is pulse or presence

Part Number/Price

Part #	Description	Price
Consult	Relay box	Consult
171093	Enclosure, loop detector, loop not included must order separately	\$1,225.00
78986	4 x 8 ft loop, 50 ft lead wire	\$260.00
86758	4 x 10 ft loop, 50 ft lead wire	\$260.00

EMX Lite Preformed Loops®



Specifications

Vehicle Loop Detector Power:

The detector is available in the following voltages: 12 VAC/DC, 24 VAC, 24 VDC, 110 VAC, 220 VAC. Maximum current draw 100 mA

Low Power:

Detector is available with maximum current draw of 60 mA

Temperature:

-40 to 180° F

Enclosure:

Extruded anodized aluminum,
(H x W x D) 3.25 x 2.56 x 3.65 in (83 x 40 x 90 mm)

Output Relays:

5A/125 VAC standard version, 1A/125 VAC low current version

Connector:

86CP11 compatible with 11-Pin Octal DIN-rail mountable socket or wire harness

EMX Lite Preformed loops Operating Temperature:

-60 to 260° F

Overall Diameter of Loop Wire:

0.26 in

Loop Dimensions:

4 x 6 ft thru 4 x 12 ft standard, custom sizes available

Lead-in-Wire:

50 ft long, twisted wire in PVC jacket

Loop Wire Approvals:

UL subject 13, Type PLTC 300V, 90C passes IEEE-328,210,000, BTU Flame Test Pennsylvania, Bureau of Deep Mine Safety, Approval P-MWMS-1-85

Standard Features

- Rugged and flexible TPE tubing
- Electronic lightning protection of vehicle detectors
- Comes standard with 50 feet of twisted and jacketed lead-in wire
- Vehicle detection loop is constructed of stranded wire conductors with thermoplastic elastomer insulation jacketing
- Outer shell is flexible, nonmetallic 0.26 inch tubing
- Two relays—relay 2 is pulse or presence
- Loop installation requires backer rod and epoxy sealant provided by others

Part Number/Price

Part #	Description	Price
86601	4 x 8 ft-3 ft range	\$615.00
86759	4 x 10 ft-4 ft range	\$615.00