

Temperature Transmitter / Switch / Display

8400

Intelligent Sensor

- Accurate, reliable temperature switching
- Switch for alarm or event logging
- Bar graph display for local monitoring



Temperature sensor with switching and optional transmitting functions. Programmable switching points with large display and bar graph. Connection to the process is made with standard NPT thread.

Technical Data

Measuring range (ambient 32 °F - 104 °F)	-40 °F...+257 °F
Switching accuracy ±.09 °F (0...176 °F)	±.09 °F (0...176 °F)
Switching activity	±2.7 °F
Repeatability	0.40%
Housing material, cover	PC+20% glass fiber
Sensor element	Pt100
Wetted parts (NPT seal)	316L stainless steel, FKM
Ambient temperature range	-0 °F...+140 °F
Ingress protection	IP65
Voltage supply	12...30 VDC
Protection	Reversed polarity of DC protected
Current consumption Max.	80 mA (no Load)
Max. cable length	328.1' shielded
Electrical connections	Cable plug Multipin 5 pin, M12
Output	Transistor output NPN and PNP open collector 5...30 VDC, 700 mA

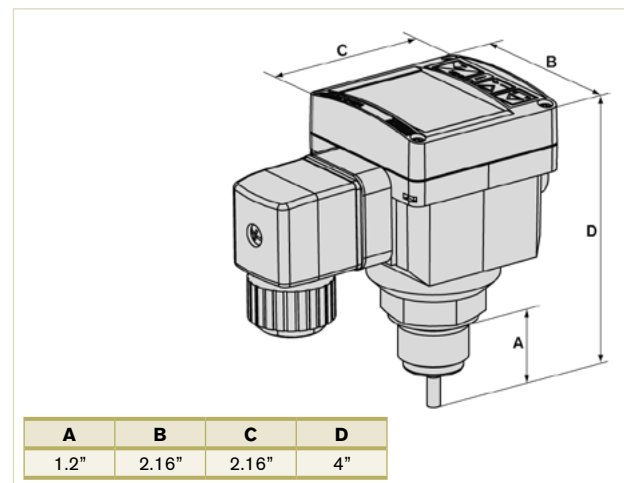
Ordering Chart

8400 Sensor/Switch for sensor connection NPT 1/2	Item no.
NPN and PNP M12 plug 5 pin	98108577

Accessory for ON/OFF Temperature Control System 8400	Item no.
M12 female cable connector with plastic threaded locking ring	917 116
5 pin M12 female connector moulded on cable (2m., shielded)	438 680

More Versions	Item nos.
Transmitter Version is available with 4 ... 20 mA output in 8 pin M12 (please see datasheet for details)	98108573
Relay version is available (please see datasheet for details)	98108576

Envelope Dimensions [inch] (see datasheet for details)



Options

- Outputs : Relay 3 A/250 or 3 A/30 VDC; 4-20mA optional