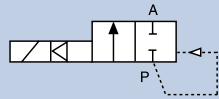


Servo-Assisted Solenoid Valve for Liquids



Shown with 2506 plug



NPT 3/8" - NPT 1", 7-145 PSI"

- Low power consumption
- Waterhammer-free
- Low weight



6211

Servo-assisted plunger piloted solenoid valve with un-coupled rugged diaphragm. This quality brass valve is designed for neutral gases and liquids where a reliable low power solution is required.

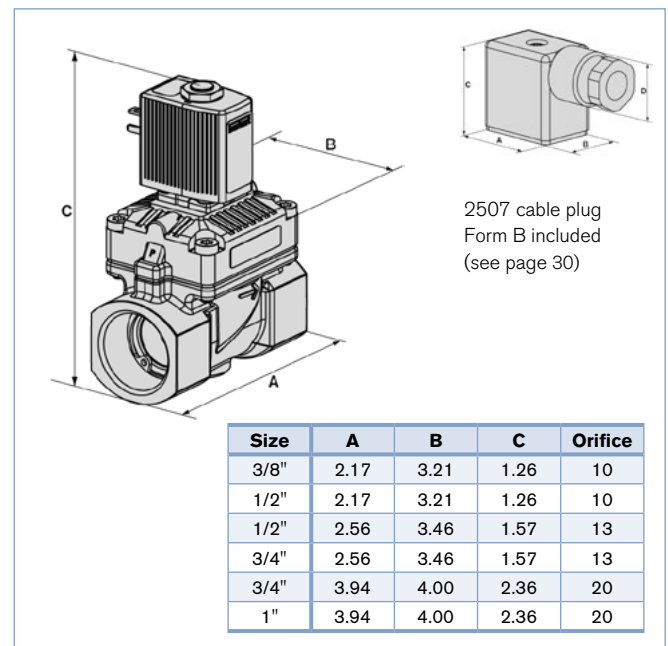
Technical Data

Pressure range	7 - 145 PSI, Max.
Temperature media	+32 °F ... +158 °F
Ambient temperature	131 °F, Max.
Body material	Brass
Seal material	NBR
Coil material	Epoxy (Class B)
Power consumption	DC: 4 W, AC: 9 VA (inrush), 6 VA (hold)
Protection class	IP65
Electrical Connection	2507 cable plug Form B (included)
Accreditations	UL recognized, CSA

Options

- FKM or EPDM seals
- Cables plug with LED
- Cable plug with varistor. Polyamide coil (Class F)

Envelope Dimensions [inch] (see datasheet for details)



Ordering Chart

NPT Connection	Orifice [mm]	Cv	Pressure [PSI]	Item no. Voltage/Frequency [V/Hz]			
				24VDC	24/60	120/60	240/60
3/8"	10	2.23	7-145	461 688	461 689	461 690	461 691
1/2"	10	2.23	7-145	461 692	461 693	461 694	461 695
1/2"	13	4.23	7-145	461 716	461 717	461 718	461 719
3/4"	13	4.23	7-145	461 720	461 721	461 722	461 723
3/4"	20	9.76	7-145	461 740	461 741	461 742	461 743
1"	20	9.76	7-145	461 744	461 745	461 746	461 747