

In-Line Flow Switch for Monitoring, Switching and Display

SE32

1/2" to 2", 0-232 PSI

- Monitor, switch and transmit functions
- Large display
- Turn & Lock bayonet fitting isolates sensor from media

Please add fitting from page 65



Unique bayonet style flow meter constructed from an SE32 transmitter and an S030 flow fitting. A large digital display with 3 button keypad and bargraph make this perfect for neutral, solid free liquids. Hysteresis and goal-post switching make this an intelligent component in any flow control loop.

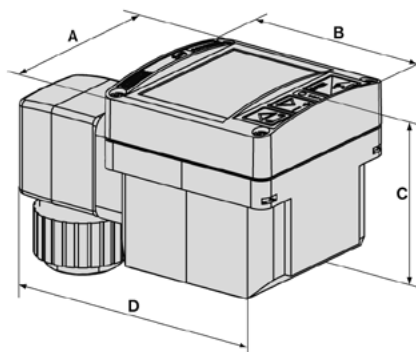
Technical Data

SE32 Housing material	PC+20% glass fibre
Ambient temperature	32 °F - 140 °F
Voltage supply / Current	12...30 VDC, 80 mA (no Load)
Electrical Protection	Short circuit and reversed polarity
Max. cable length	328.1' shielded
Electrical connections	Cable plug and M12
Outputs	NPN and PNP 5...30 VDC, 700 mA Relay 3 A/250 VAC, or 3 A/30 VDC; frequency 0...200 Hz 4 ... 20 mA
Switching accuracy (teach-in)	± 1% at 33 fps
Switching accuracy (standard)	± 1% o.FS +3% o.R.
Ingress protection	IP65
Approvals	UL Recognized, CSA, CE
Size range	1/2" to 2" with bayonet fitting
Measuring ranges	1 to 33 fps
Linearity /Repeatability	≤ ± 0.5% o.FS (at 33fps), 0.4% o.R.
Fitting Materials	Brass, Stainless (NPT), PVC (ASTM Union)
Sensor Materials	PVDF paddle wheel with ceramic bearings
O-rings	FKM
Max. Fluid Temperature	212 °F (metal), 122 °F (PVC)
Max. fluid pressure	232 PSI (metal), 145 PSI (PVC)

Options

- EaseOn cable plug 2511 (on request)
- AS-i Connection (on request)
- Hygienic clamp and ASME weld end connections
- ANSI flange connection
- PVDF and PP fittings
- Low flow fittings down to 6 mm
- Cable plug 2509, 1/2" conduit
- Various sealing materials
- Individual calibration certificate, 4...20 mA output

Envelope Dimensions [inch] (see datasheet for details)



A	B	C	D
2.13	2.13	1.97	3.70

Ordering chart

Output	Connection	Approvals	Item no.
NPN and PNP	M12 (5-pin)	–	98108570
NPN and PNP	M12 (5-pin)	UR/CSA approved	98109678
Relay	M12 (5-pin) and Conduit	–	98108569
Fittings	see page 65		

Accessories	Item no.
M12 5-pin with 6' cable	438 680
M12 8-pin with 6' cable	444 800
M12 5-pin connector	917 116
M12 8-pin connector	444 799

More Versions	Item no.
Transmitter Version is also available with 4 ... 20 mA output in 8 pin M12 (please see datasheet for details)	98108566