

Control Tops and Feedback Packages for Pneumatically Actuated Valves



- Extreme modularity
- Fit all Bürkert actuators
- Reliable and simple to adapt

Accessories
(8690 / 8691)

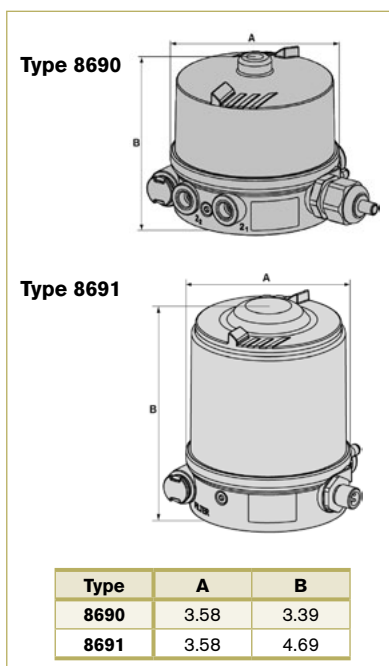
These feedback switch and pilot packs fit in the ELEMENT range of accessories. Designed for uncompromising performance this new generation is even more rugged. For single and double acting actuators the SuperBRIGHT LEDs let you see the status of your process valves from a distance. Chemically resistant PPS housing is designed in accordance with EHEDG guidelines for use in hygienic environments. Features include simple one-touch setup and a compressed air flush system which means there is always a small positive pressure in the head to completely prevent atmospheric ingress. Simple connection to DeviceNET or AS-interface make this a leap forward in valve communication.

Technical Data

	8690	8691
Pilot valve	24 VDC ±10%, residual ripple 10% (no technical direct current); 1W	24 VDC ±10%, residual ripple 10% (no technical direct current); 2W
Micro switch	Max. 24 VDC, Max. 2A	
Initiator	10 to 24 VDC, Max. 100mA ext. load per initiator	PNP, 10 to 24 VDC, Max. 100mA
Electrical connection	Cable gland or 8-pole M12	Cable gland or 8-pole M12, AS-i Connect
Buses available		DeviceNet, AS-i
Optical feedback		SuperBRIGHT LED
Media	Instrument air	Instrument air
Body, Cover, Seal	PPS, PC, EPDM	PPS, PC, EPDM
Push in connector	(external Ø 6mm or 1/4") or threaded ports G 1/8	
Integrated filter	0.1mm	0.1mm
Supply pressure	3-7barG	3-7barG
Accreditations	IP65/67 NEMA 4X, CE, (CSA pending)	IP65/67 NEMA 4X, CE, CSA (pending)
Operating temperature	+32 °F to 131 °F	+32 °F to 131 °F
Ambient temperature	+32 °F to 131 °F	+32 °F to 131 °F

Envelope Dimensions [inch]

(see datasheet for details)



Options

8690

- Versions for double acting actuators

8691

- Versions for double acting actuators
- AS-i version
- DeviceNet version

Ordering chart - 8690

Pilot Valves	Switches	Type	Item no. Cable Gland	Item no. M12
0	One switch	Mechanical	–	227 194
0	Two switches	Mechanical	227 196	227 197
1	One switch	Mechanical	227 229	227 231
1	Two switches	Mechanical	227 233	227 235
0	One switch	Inductive	–	227 187
0	Two switches	Inductive	–	227 191
1	One switch	Inductive	227 217	227 219
1	Two switches	Inductive	227 221	227 223
Adapter for ELEMENT Valves			665 720	

Ordering chart - 8691

Type	Cable Gland / AS-i Clip	Item no. M12
Inductive	227 261	227 263
Adapter for ELEMENT Valves	665 721	665 721
AS-Interface (Push-in 1/4")	227 259	227 256
DeviceNet (Push-in 1/4")	–	227 257

Please call customer service or see data-sheet for adaption to Classic valves.