



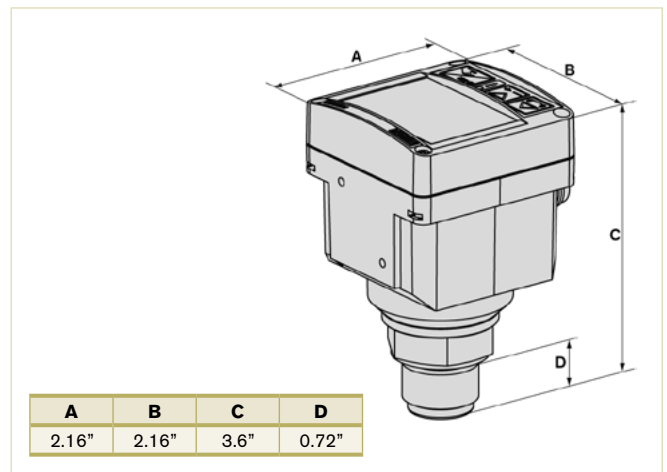
- Accurate, reliable pressure switching
- Switch for alarm or event logging
- Bar graph display for local monitoring

Programmable pressure sensor with switching and transmitting functions. It has a large display with bar graph and simple menu guided controls. Connection to the process with standard stainless steel connection and it can be set up with alarm, control or monitoring functions.

### Technical Data

<b>Measuring range</b>	To 725 PSI
<b>Switching accuracy <math>\pm 0.9</math> °F (0...176 °F)</b>	$\pm 1.5\%$ FS
<b>Medium temperature</b>	-4 °F to 212 °F (212 °F for an ambient temperature of Max. 104 °F)
<b>Repeatability</b>	0.25% FS
<b>Housing, cover</b>	PC+20% glass fiber
<b>Sensor element</b>	Ceramic
<b>Wetted parts (NPT seal)</b>	316L stainless steel, ceramic/FKM (EPDM optional)
<b>Ambient temperature range</b>	-0 °F...+140 °F
<b>Ingress protection</b>	IP65
<b>Voltage supply</b>	12...30 VDC
<b>Protection</b>	Reversed polarity of DC protected
<b>Current consumption Max.</b>	750 mA max (with load - PNP output configuration)
<b>Electrical Protection</b>	Short circuit protection
<b>Max. cable length</b>	164' shielded
<b>Electrical connections</b>	Cable plug Multipin 5 pin, M12
<b>Output</b>	Transistor output NPN and PNP 5...30 VDC, 700 mA

### Envelope Dimensions [inch] (see datasheet for details)



### Options

- Cable plug 2508, DIN 43650A 1/2" conduit
- Outputs: Relay 3 A/250 or 3 A/30 VDC
- 4...20 mA output
- Two-wire loop powered

### Ordering Chart

Pressure range	Electrical connection	Output	Burst Pressure [PSI]	Max. Pressure [PSI]	Item no.
0-30	M12 plug	NPN/PNP	102	58	98108565
0-73	M12 plug	NPN/PNP	174	145	98108558
0-145	M12 plug	NPN/PNP	363	290	98108551

Accessories for Type 8311	Item no.
M12 female cable connector with plastic threaded locking ring	917 116
5 pin M12 female connector moulded on cable (2 m, shielded)	438 680

More Versions	Pressure [PSI]	Item nos.
Transmitter Version is also available with 4 ... 20 mA output in 8 pin M12 (please see datasheet for details)	0-30	444 640
	0-73	444 641
	0-145	444 642