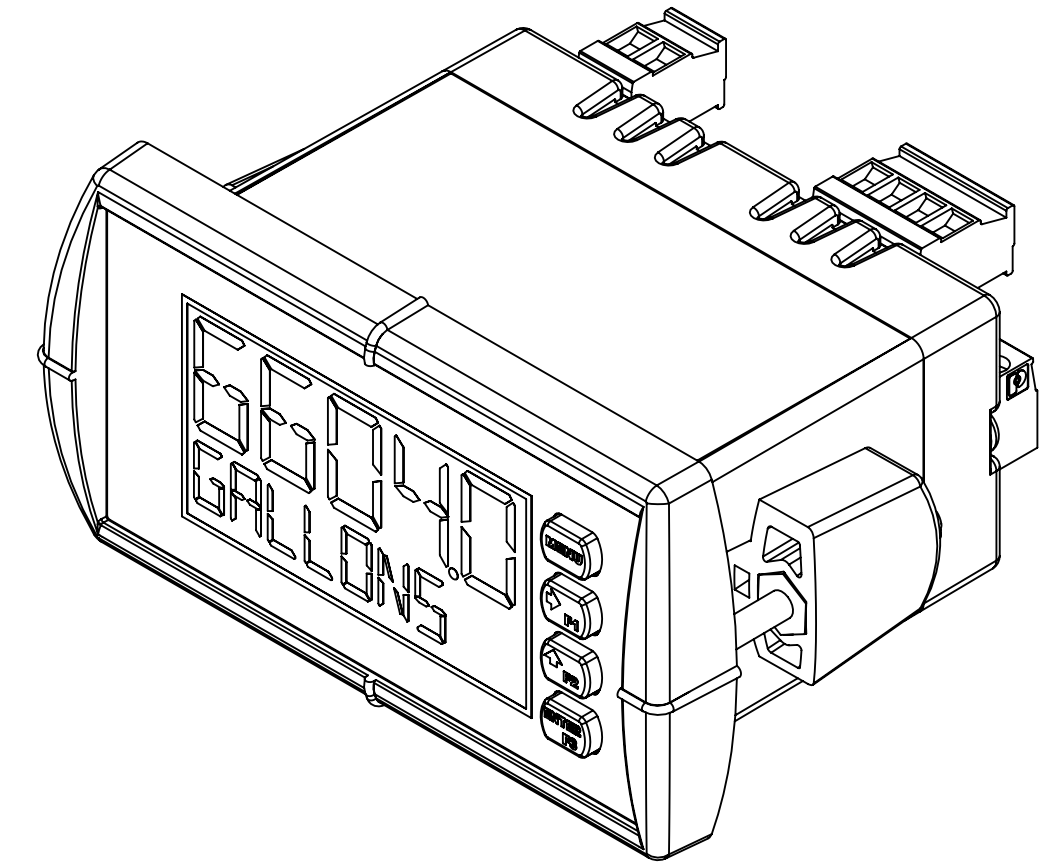
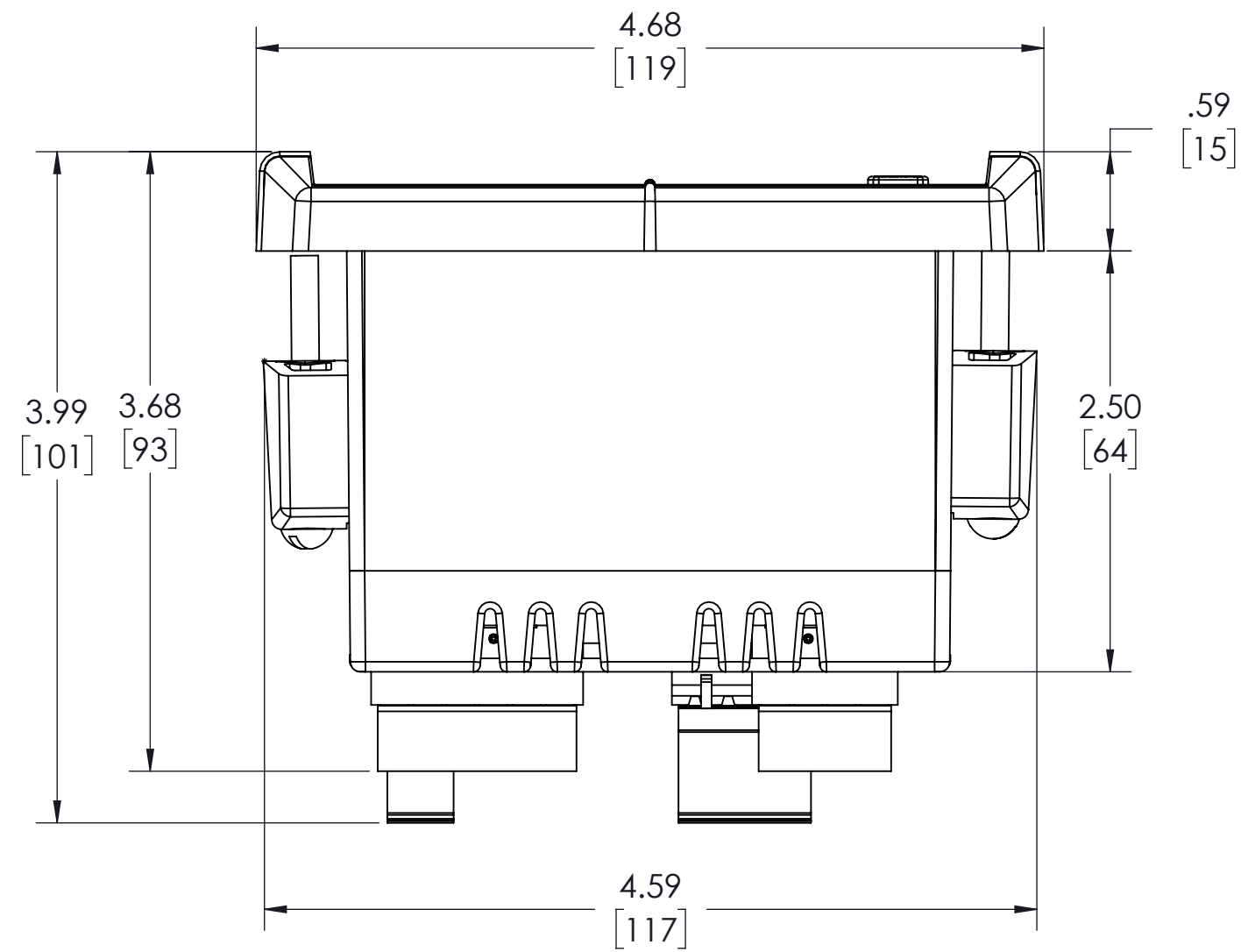
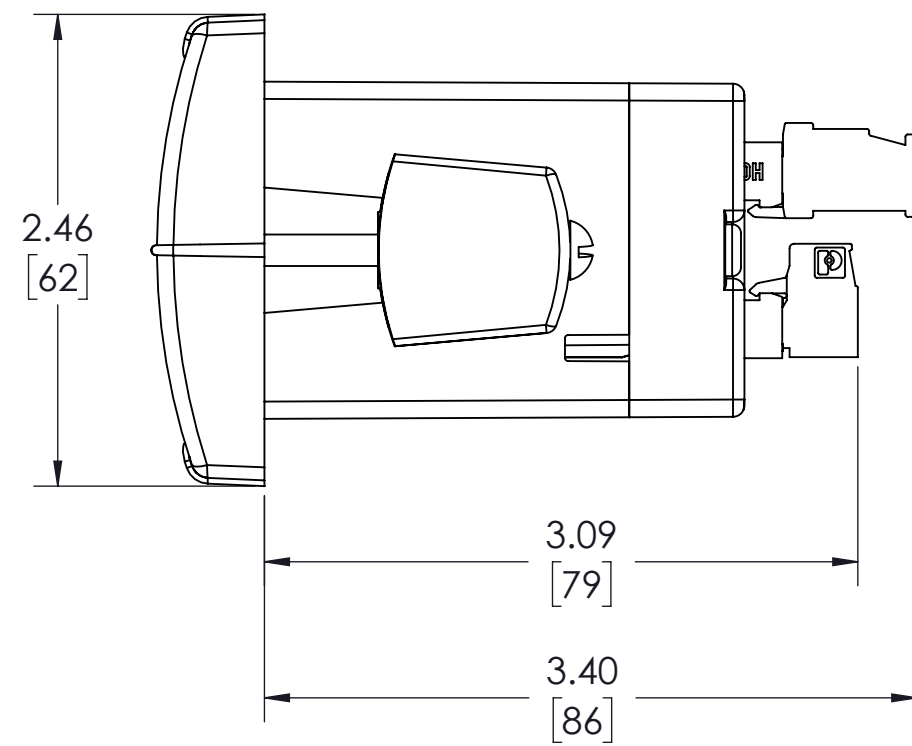


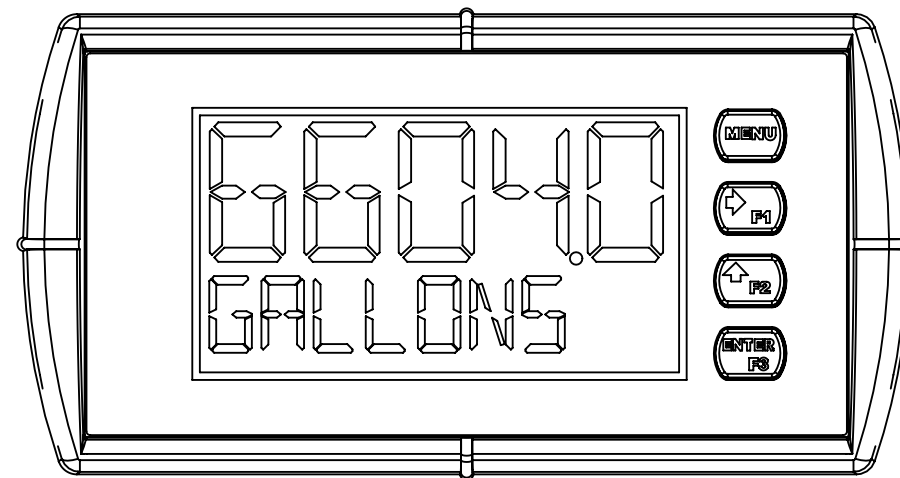
BOTTOM VIEW



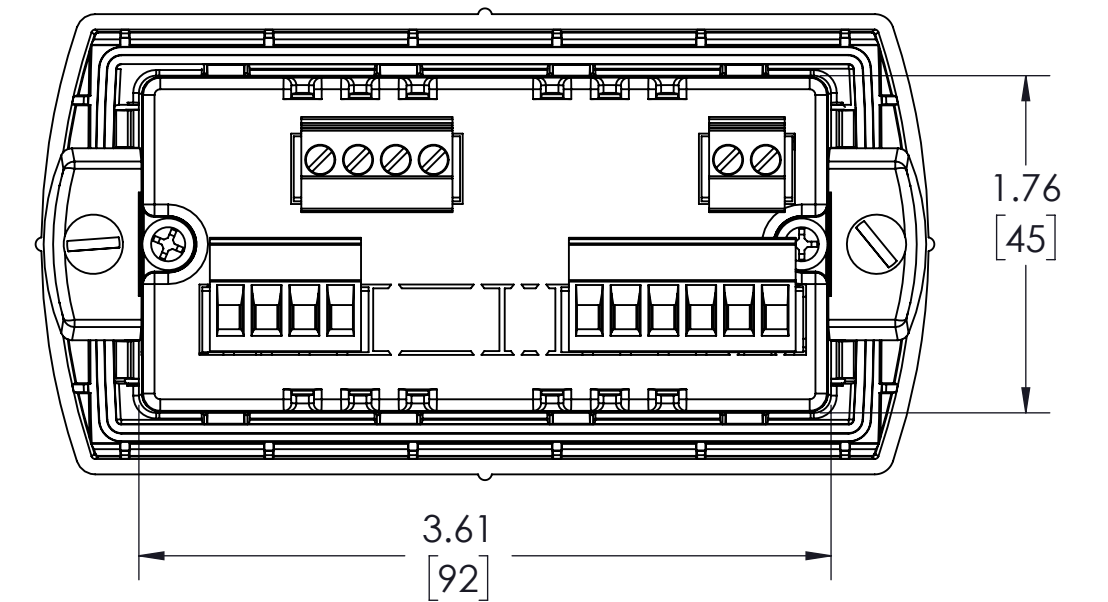
SIDE VIEW



FRONT VIEW



REAR VIEW



NOTES:

1. DIMENSIONS ARE IN INCHES [mm].
2. PD6604-L5N IS SHOWN. REAR TERMINALS MAY VARY WITH MODEL NUMBER.
3. MOUNTING BRACKETS ARE REPRESENTATIVE ONLY, SIZE AND LOCATION MAY VARY BY INSTALLATION.
4. INTERNAL ELECTRONICS AND MOUNTING GASKET NOT SHOWN.
5. RECOMMENDED 1/8 DIN INSTALLATION CUTOUT SIZE OF 3.622" x 1.772" (92 mm x 45 mm) (W x H).
6. ALLOW AT LEAST 4" BEHIND PANEL FOR WIRING.
7. PANEL THICKNESS 0.04" - 0.25" (1.0 mm - 6.4 mm).
8. RECOMMENDED MINIMUM PANEL THICKNESS TO MAINTAIN TYPE 4X:
 0.06" (1.5 mm) STEEL PANEL
 0.16" (4.1 mm) PLASTIC PANEL

PRECISION DIGITAL CORPORATION
 HOLLISTON, MASSACHUSETTS 01746

LOOP LEADER SERIES
 METER ASSEMBLY