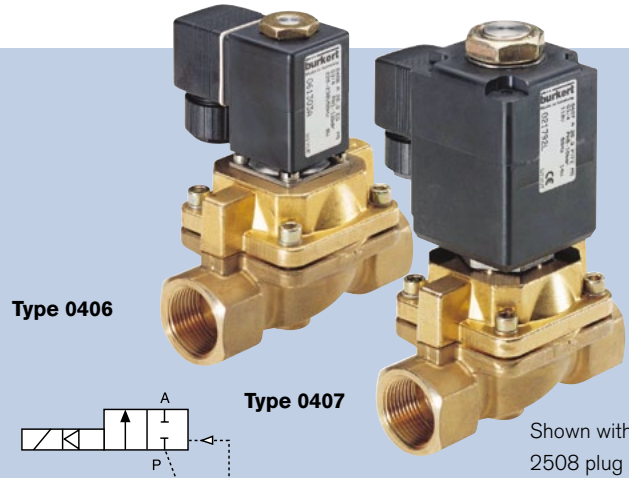


# Servo-Assisted Piston Solenoid Valves for 150# Steam

0406/0407

## NPT 1/2" - NPT 1 1/2", 150#

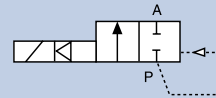
- Fluid temperature to 356 °F
- Wear resistant stainless steel seat
- Most reliable valves for hot neutral fluids



Type 0406

Type 0407

Shown with 2508 plug



Servo-assisted solenoid valves for steam and hot gaseous media. A plunger pilots a piston to make a tight seal on a wear resistant stainless insert seat. Hard coupled design for low pressure switching (0407), uncoupled design where differential pressure is available (0406).

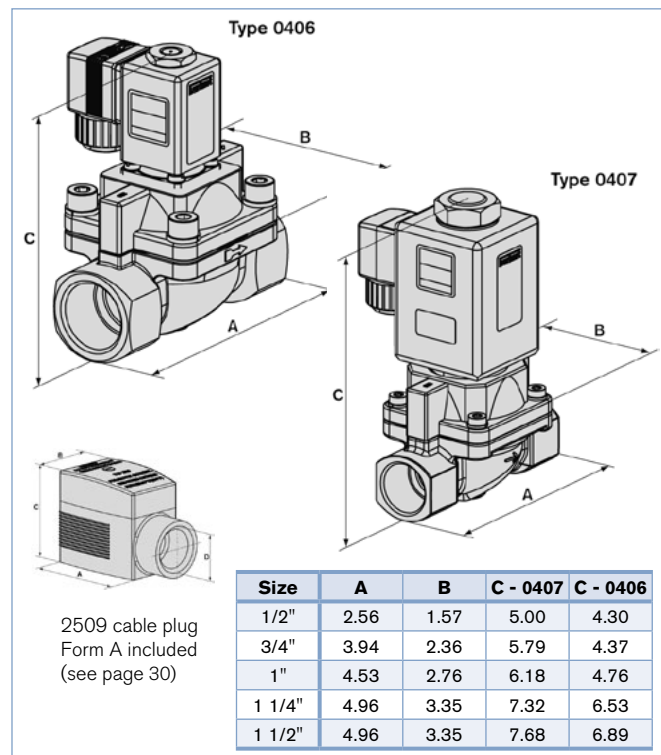
### Technical Data

<b>Pressure range</b>	0-145 PSI, Max.
<b>Temperature media</b>	+32 °F ... +356 °F
<b>Ambient temperature</b>	131 °F, Max.
<b>Body material</b>	Brass with anti-wear stainless valve seat
<b>Seal material</b>	PTFE piston seal
<b>Coil material</b>	Epoxy
<b>Power consumption</b>	AC: 24-240 VA (inrush), 35 VA (hold)
<b>Protection class</b>	IP65
<b>Electrical Connection</b>	2509 Cable plug Form A (included)
<b>Accreditations</b>	CE (all sizes), UL Listed, FM Class 1: Div 2 and CSA (to 1")

### Options

- Cables plug with LED
- Cable plug with varistor
- UL Recognized version with cable plug
- CSA and UL to 2" NPT connection

### Envelope Dimensions [inch] (see datasheet for details)



### Ordering Chart

Port connection [inch]	Orifice [mm]	Cv	Pressure range [PSI]		Item no. Voltage/Frequency [V/Hz]		
			AC	DC	24 V DC	24 V/60 Hz	120 V/60 Hz
<b>Type 0406</b>							
NPT 1/2	13	4.3	14-174	14-58	453 038	453 037	453 036
NPT 3/4	20	5.8	14-174	14-58	453 041	453 040	453 039
NPT 1	25	11.7	14-174	14-58	453 043	453 042	453 044
<b>Type 0407</b>							
NPT 1/2	13	4.31	0-145	-	-	453 046	453 045
NPT 3/4	20	5.83			-	453 048	453 047
NPT 1	25	11.65			-	453 050	453 049