

# Manually Operated 2/2 Way Diaphragm Valve

3232

## DN 1/2" - 2", 0-145 PSI

- For aggressive media
- Flow optimized body
- Tough, durable PPS handwheel



Hand operated diaphragm valve for aggressive chemicals. Provides long service life even with polluted, dirty or high viscosity fluids. The diaphragm between the actuator and body hermetically isolates the fluid from the actuator and provides a strong seal over the valve seat. The manual nature of the operator means that the valve can be used for shut-off and for flow control.

### Technical Data

<b>Pressure range</b>	0-145 PSI, Max.
<b>Temperature media</b>	See chart
<b>Ambient temperature</b>	131 °F, Max.
<b>Body material</b>	PVC (alternatively PP or PVDF)
<b>Seal material</b>	EPDM, PTFE/EPDM (FKM on request)
<b>Handwheel / Bonnet</b>	PPS / PPS
<b>Process connection</b>	True Union with solvent connection included

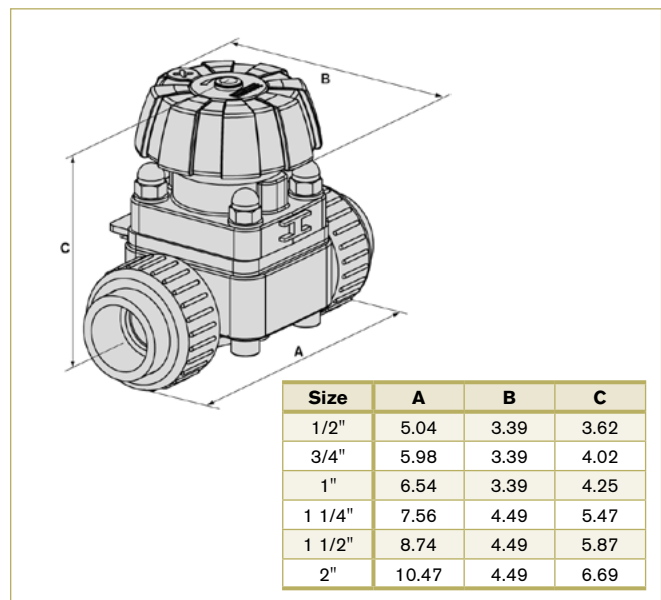
### Options

- Pneumatic actuation (see page 51)
- Feedback switches
- PVDF body
- PP body

### Ordering chart

PVC	Cv	Pressure range	Item no.	
			EPDM	PTFE
1/2"	3.0	0 - 10	144 758	144 764
3/4"	6.2	0 - 10	144 759	144 765
1"	4.3	0 - 10	144 760	144 766
1 1/4"	16.3	0 - 10	144 761	144 767
1 1/2"	24.1	0 - 10	144 762	144 768
2"	34.4	0 - 7	144 763	144 769

### Envelope Dimensions [inch] (see datasheet for details)



### Pressure-temperature compatibility chart

