

CONDEC REGulator Series Designed for Pressure-Reducing Gas Applications



For further information, request lit sheet 104858

STANDARD FEATURES

- Same quality Regulator as used in our Portable Pressure Calibrators
- Low Torque required by operator for pressure adjustment
- Single Stage, Venting Type with spring controlled piston
- Integral inlet filter used to promote long life when used in clean systems
- Adjustable Panel Mounting, see diagram on next page for dimensional requirements
- May be integrated with one of our Burst Discs and/or Pressure Relief Valves for FAIL SAFE operator safety when installing in a system. When integrated with one of our CONDEC patented fingertip-adjustable Orion Series or MPV Needle Valves, you will have the advantages of proper regulation of your source, as well as precise finger-tip adjustment of your downstream system output

SPECIFICATIONS

Data:

Maximum Primary (inlet) Pressure:
3000 psig (206.9 Bar)
4 Ports Standard:
2 Inlet Ports - 1/4-18 NPT
2 Outlet Ports - 1/4-18 NPT
Operating Temperature:
0°F to +140°F (-18°C to +60°C)

Materials:

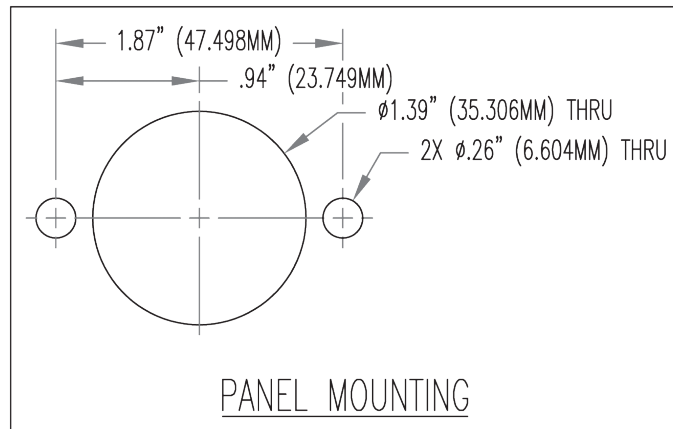
Body: Aluminum
Cartridge Valve: Teflon, Brass, Stainless Steel
Seals: Nitrile

Dimensions

Height: Approximately 7-1/2 inches (190 mm) when fully opened
Body Diameter: 2 inches (50.8 mm)
Port Dimensions From Bottom of Base: 13/32 in. (10.3 mm)
Panel Mount Adjustment (from bottom of regulator base to rear surface of panel) 3 to 4 inches (76.2 mm to 101.6 mm)

MODEL/PRICE

PART #	DESCRIPTION	EST. SHIP WEIGHT	PRICE
115811	REG 500 maximum 3000 PSIG Input, 0-500 PSIG Output	6.5 lb	Consult
106061	REG 1000 maximum 3000 PSIG Input, 0-1000 PSIG Output	6.5 lb	Consult
106062	REG 2000 maximum 3000 PSIG Input, 0-2000 PSIG Output	6.5 lb	Consult
104793	REG 3000 maximum 3000 PSIG Input, 0-3000 PSIG Output	6.5 lb	Consult



CONDEC CYLinderREGulator



For further information, request lit sheet 125283

STANDARD FEATURES

- Same Condec "REG" series regulator as used in our Portable Pressure Calibrators and Source 3000
- Low Torque required by operator for pressure adjustment
- Single Stage, Venting Type with spring controlled piston
- Integral inlet filter used to promote long life when used in clean systems
- CGA-580 fitting for direct connection to the In-House cylinder
- 1/4 inch 37 degree male output port connection

APPLICATIONS

- Gas applications
- In-House nitrogen cylinder regulation

SPECIFICATIONS

Maximum Primary (inlet) Pressure:
3000 psig (206.9 Bar)

Pressure Media:
Clean dry gaseous nitrogen or equal

Operating Temperature:
0°F to +140°F (-18° to +60°C)

Pressure Regulator:
3000 psig, single stage, self venting, non-bleed

Pressure Gauges:
(2) two-inch diameter, 0-4000 psig

Pressure Fittings:
Input: CGA-580 Brass, mates with customer's nitrogen cylinder Output 7/16-20, 37 degree Flare Male JIC, Steel, Trivalent Chromium Zinc finish

MODEL/PRICE

PART #	DESCRIPTION	EST. SHIP WEIGH	PRICE
124511	CYLREG 3000, maximum 3000 PSIG Input, 0-3000 PSIG Output	10 lb	Consult
152333	CYLREG 2000, maximum 3000 PSIG Input, 0-2000 PSIG Output	10 lb	Consult
152317	CYLREG 1000, maximum 3000 PSIG Input, 0-1000 PSIG Output	10 lb	Consult
152041	CYLREG 500, maximum 3000 PSIG Input, 0-500 PSIG Output	10 lb	Consult

OPTIONS/ACCESSORIES

PART #	DESCRIPTION	PRICE
55282	UPC5000/UPC5100 fill port (input) 5 ft. long hose fitted with quick-disconnect plug (brass) on one end and 1/4 inch 37 degree female AN swivel coupling on the other end	Consult
55251	5 ft. long hose, 2500 psig working pressure, fitted with Male 1/8-27 NPT on one end and 1/4 inch 37 degree female AN swivel coupling on the other end	Consult
55253	10 ft. long hose, 2500 psig working pressure, fitted with Male 1/8-27 NPT on one end and 1/4 inch 37 degree female AN swivel coupling on the other end	Consult
55254	15 ft. long hose, 2500 psig working pressure, fitted with Male 1/8-27 NPT on one end and 1/4 inch 37 degree female AN swivel coupling on the other end	Consult
55256	20 ft. long hose, 2500 psig working pressure, fitted with Male 1/8-27 NPT on one end and 1/4 inch 37 degree female AN swivel coupling on the other end	Consult
67250	5 ft. long hose, 3000 psig working pressure, fitted with Male 1/4-18 NPT on one end and 1/4 inch 37 degree female AN swivel coupling on the other end	Consult
161922	10 ft. long hose, 3000 psig working pressure, fitted with Male 1/4-18 NPT on one end and 1/4 inch 37 degree female AN swivel coupling on the other end	Consult
58476	Universal steel fitting kit (max working pressure based on individual fitting, see Lit Sheet 63548)	Consult
54854	Cheat Seal (used when connecting hose to CYLREG output port)	Consult
180505	Adapter Fitting, 3,000 PSI working pressure, Female Swagelok QC4 Quick Disconnect on one end and 1/4-18 NPT Female on the other end (used when connecting hose 67250 or 161922 to Source 3000 PN 98916 Input Fill Port)	Consult