

Mueller® Swing Check Valve Features

- Meets or exceeds all applicable requirements of ANSI/AWWA C508 Standard
- Flanged end dimensions and drilling comply with ANSI B16.1, class 125
- Iron body, bronze mounted (IBBM)
- Choice of gravity operated, lever and weight operated, or lever and spring operated valves
- For vertical or horizontal installation; gravity operated horizontal installation only
- Epoxy coated interior & exterior for corrosion resistance.
- Choice of bronze or rubber faced disc
- O-ring sealed stuffing box
- 2" thru 12" sizes---200 psig (1400 kPa/14 barg) maximum working pressure, 400 psig (2800 kPa/28 barg) test pressure
- Certified to ANSI/NSF 61



2"-12" Style Shown

8001 Series Swing Check Valves

- Meets all applicable parts of ANSI/AWWA C508 Standard
- Flanged end dimensions and drilling comply with ANSI B16.1, class 125
- Iron body, bronze mounted (IBBM)
- For vertical or horizontal installation
- Epoxy coated interior & exterior for corrosion resistance.
- O-ring sealed stuffing box
- Adjustable weight or spring to control opening and closing of clapper
- 14" thru 36" sizes---150 psig (1100 kPa/11 barg) maximum working pressure, 300 psig (2100 kPa/21 barg) test pressure
- Certified to ANSI/NSF 61



8001 Series Style Shown

Mueller® Flexible Disc Check Valve

- Non-slam, flexible disc set at 45 degree angle reduces potential for water hammer.
- EDPM encapsulated steel disc, reinforced with nylon fabric.
- Epoxy coated interior & exterior for corrosion resistance.
- 2" thru 24" sizes---250 psig (1725 kPa/17 barg) maximum working pressure, 500 psig (3450 kPa/35 barg) test pressure
- Certified to ANSI/NSF 61



Flexible Disc

Rev. 4-14 Shaded area indicates changes

- Catalog number---
A-2600-06BB flanged ends, with bronze disc facing
A-2602-06B1 flanged ends, with rubber disc facing
- Sizes – 2", 2-1/2", 3", 4", 6", 8", 10", 12"
- Meets all applicable parts of ANSI/AWWA C508 Standard
- Epoxy coated interior & exterior for corrosion resistance
- Certified to ANSI/NSF 61
- Flanged end dimensions and drilling comply with ANSI B16.1
- Iron body, bronze mounted (IBBM)
- Choice of bronze or rubber disc facing
- For horizontal installation only
- O-ring sealed stuffing box
- Swing type, gravity operated
- 200 psig (1400 kPa/14 barg) maximum working pressure, 400 psig (2800 kPa/28 barg) test pressure



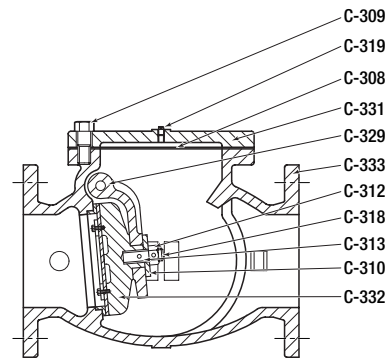
A-2600-06BB

Options

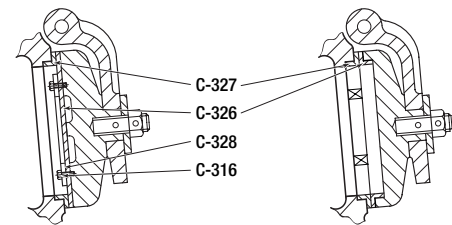
- PN 10/PN 16 Flange Drilling 4"-12"
- Stainless Steel Nuts & Bolts
- Tapped Bosses

Check Valve Parts (2011-present)

Catalog Part No.	Description	Material	Material Standard
C-305	Hinge Plug	Brass	ANSI B21
C-308	Gasket	Rubber	ASTM D2000, BK 807
C-309	Cover Bolt	Zinc Coated Steel	ASTM A307 Grade B
C-310	Washer	Brass	ANSI B21
C-311	Spacer	Brass	ANSI B21
C-312	Disc Nut	Brass	ANSI B21
C-313	Disc Stud	Brass	ANSI B21
C-318	Pin	Stainless Steel	ASTM A276 Type 304
C-319	Test Plug	Malleable Iron	ASTM A47
C-321	Hinge Pin	Stainless Steel	ASTM A276 Type 304
C-327	Body Seat Ring	Bronze	ANSI B62
C-329	Arm	Ductile Iron	ASTM A536 ▼
C-331	Cover	Cast Iron	ASTM A126 Cl. B
C-332	Disc	Cast Iron	ASTM A126 Cl. B
C-333	Body	Cast Iron	ASTM A126 Cl. B
Rubber Faced Disc Parts			
C-316	Disc Seat Bolt	Stainless Steel	ASTM A276 Type 304
C-326	Disc Seat Ring	Rubber	ASTM D2000, BK 807
C-328	Seat Holder	Cast Iron*	ASTM A126 Cl. B
Bronze Faced Disc Parts			
C-326	Disc Seat Ring	Bronze	ANSI B62

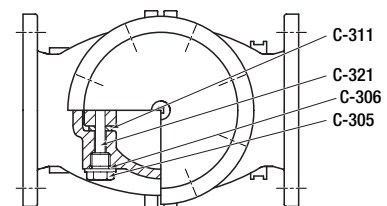


**Valve body and clapper
Rubber faced disc shown**



Rubber faced disc clapper

Bronze faced disc clapper

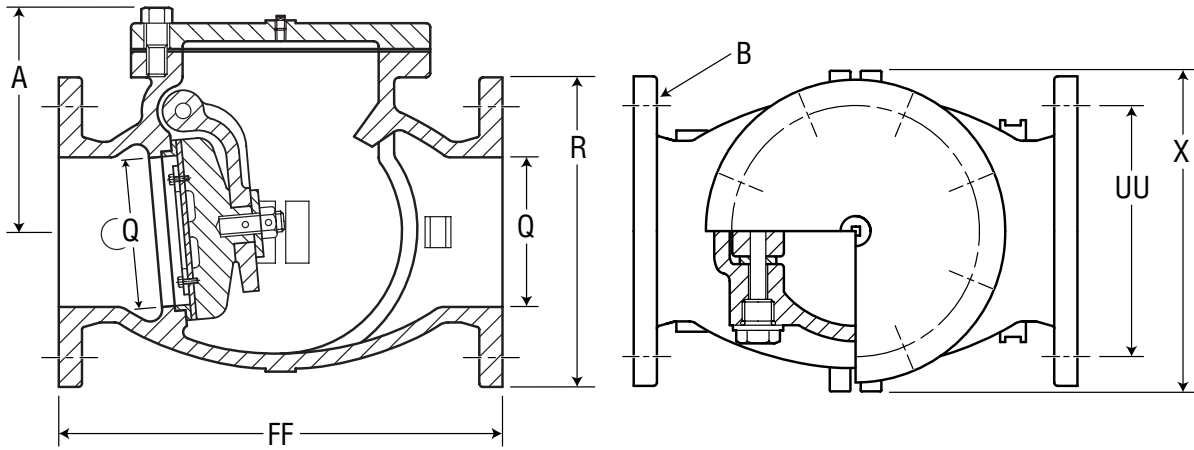


Hinge pin and stuffing box

*2"- 6" sizes are cast iron, ASTM A126 Cl. B, 8"- 12" sizes are ductile iron ASTM A536
▼ Material strength ASTM A536 65-45-12 minimum

2"-12" SWING TYPE GRAVITY OPERATED CHECK VALVE DIMENSIONS - FL. X FL.

Shaded area indicates change Rev. 5-15



Dimension**	Size*			
	2"	2-1/2"	3"	4"
Q (bore)	2.00	2.50	3.00	4.00
R	6.00	7.00	7.50	9.00
FF	8.00	8.50	9.50	11.50
A	4.94	5.69	6.06	6.88
X	5.63	7.13	8.13	9.88
B (number and size of bolts)	4--.75	4--.75	4--.75	8--.75
UU (bolt circle diameter)	4.75	5.50	6.00	7.50
Weight	34	50	60	80

Dimension**	Size*			
	6"	8"	10"	12"
Q (bore)	6.00	8.00	10.00	12.00
R	11.00	13.50	16.00	19.00
FF	14.00	19.50	24.50	27.50
A	8.50	9.94	11.19	13.56
X	11.88	16.13	18.38	21.63
B (number and size of bolts)	8--.88	8--.88	12--1.00	12--1.00
UU (bolt circle diameter)	9.50	11.75	14.25	17.00
Weight	151	267	405	611

*Nominal

**All dimensions are in inches. All weights are in pounds and are approximate.

Rev. 4-14 Shaded area indicates changes

- Catalog number---
 - A-2600-6-01BB** flanged ends, with bronze disc facing
 - A-2602-6-01B1** flanged ends, with rubber disc facing
- Sizes---2", 2-1/2", 3", 4", 6", 8", 10", 12"
- Meets all applicable parts of ANSI/AWWA C508 Standard
- Epoxy coated interior & exterior for corrosion resistance
- Certified to ANSI/NSF 61
- Flanged end dimensions and drilling comply with ANSI B16.1, class 125
- Iron body, bronze mounted (IBBM)
- Choice of bronze or rubber disc facing
- For vertical or horizontal installation
- O-ring sealed stuffing box
- Adjustable weight to control opening and closing of clapper, lever can be installed on either side of valve
- 200 psig (1400 kPa/14 barg) maximum working pressure, 400 psig (2800 kPa/28 barg) test pressure



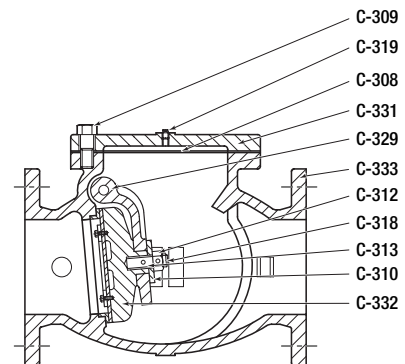
A-2600-6-01BB

Options

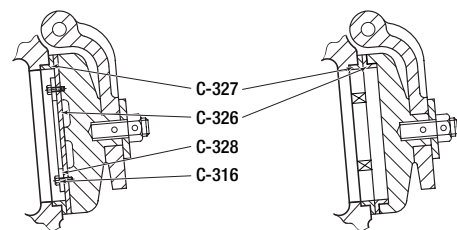
- Stainless Steel Nuts & Bolts
- Tapped Bosses
- Allen Bradley Limit Switch
- PN 10/PN 16 Flange Drilling 4"-12"

Check Valve Parts (2011-present)

Catalog Part No.	Description	Material	Material Standard
C-301	Retaining Plug	Brass	ANSI B21
C-306	O-ring C	Rubber	ASTM D2000, BK 707
C-307	O-ring B	Rubber	ASTM D2000, BK 707
C-308	Gasket	Rubber	ASTM D2000, BK 807
C-309	Cover Bolt	Zinc Coated Steel	ASTM A307 Grade B
C-310	Washer	Brass	ANSI B21
C-311	Spacer	Brass	ANSI B21
C-312	Disc Nut	Brass	ANSI B21
C-313	Disc Stud	Brass	ANSI B21
C-314	Snap Ring	Stainless Steel	ASTM A276 Type 420
C-315	Weight Bolt & Nut	Zinc Coated Steel	ASTM A307 Grade B
C-318	Pin	Stainless Steel	ASTM A276 Type 304
C-319	Test Plug	Malleable Iron	ASTM A47
C-320	Key	Stainless Steel	ASTM A276 Type 304
C-321	Hinge Pin	Stainless Steel	ASTM A276 Type 304
C-322	Weight Arm	Ductile Iron	ASTM A536 ▼
C-323	Bolt & Nut	Zinc Coated Steel	ASTM A307 Grade B
C-325	Seat Nut	Brass	ANSI B21
C-327	Body Seat Ring	Bronze	ANSI B62
C-329	Arm	Ductile Iron	ASTM A536 ▼
C-330	Weight	Cast Iron	ASTM A126 Cl. B
C-331	Cover	Cast Iron	ASTM A126 Cl. B
C-332	Disc	Cast Iron	ASTM A126 Cl. B
C-333	Body	Cast Iron	ASTM A126 Cl. B
Rubber Faced Disc Parts			
C-316	Disc Seat Bolt	Stainless Steel	ASTM A276 Type 304
C-326	Disc Seat Ring	Rubber	ASTM D2000, BK 807
C-328	Seat Holder	Cast Iron*	ASTM A126 Cl. B
Bronze Faced Disc Parts			
C-326	Disc Seat Ring	Bronze	ANSI B62

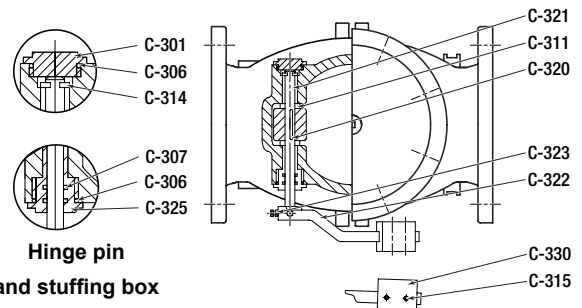


**Valve body and clapper
Rubber faced disc shown**



Rubber faced disc clapper

Bronze faced disc clapper



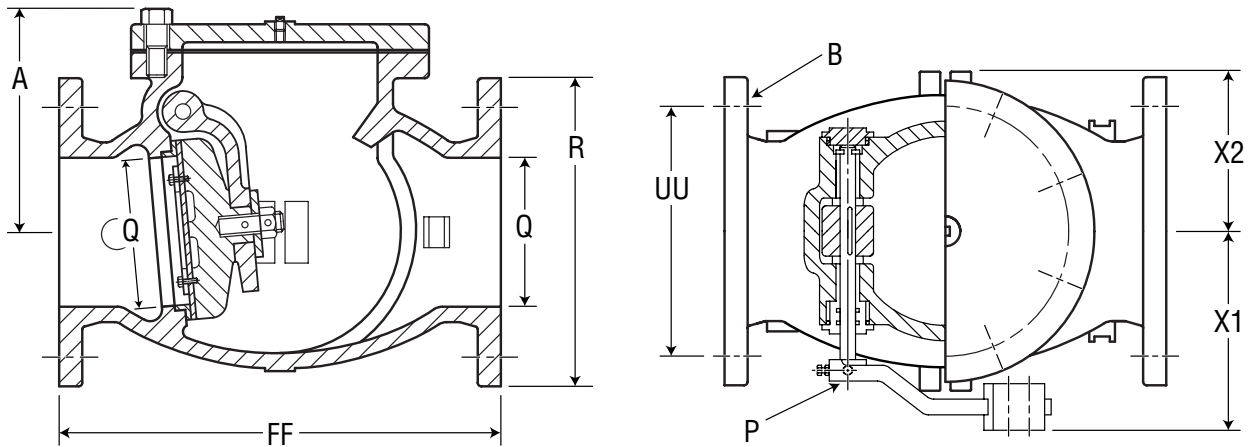
**Hinge pin
and stuffing box**

Lever assembly and weight

*2"- 6" sizes are cast iron, ASTM A126 Cl. B, 8"- 12" sizes are ductile iron ASTM A536
 ▼ Material strength ASTM A536 65-45-12 minimum

2"-12" SWING TYPE LEVER AND WEIGHT CHECK VALVE DIMENSIONS-FL.X FL.

Shaded area indicates change Rev. 6-15



Dimension**	Size*			
	2"	2-1/2"	3"	4"
Q (bore)	2.00	2.50	3.00	4.00
R	6.00	7.00	7.50	9.00
FF	8.00	8.50	9.50	11.50
X1	5.13	5.13	6.31	7.13
X2	2.81	3.56	4.06	4.94
A	4.94	5.69	6.06	6.88
P (hinge pin diameter)	.38	.38	.50	.50
B (number and size of bolts)	4--.75	4--.75	4--.75	8--.75
UU (bolt circle diameter)	4.75	5.50	6.00	7.50
Weight	35	51	62	84

Dimension**	Size*			
	6"	8"	10"	12"
Q (bore)	6.00	8.00	10.00	12.00
R	11.00	13.50	16.00	19.00
FF	14.00	19.50	24.50	27.50
X1	8.69	10.88	12.25	14.38
X2	5.94	8.06	9.19	10.81
A	8.50	9.94	11.19	13.56
P	.75	.88	1.00	1.13
B (number and size of bolts)	8--.88	8--.88	12--1.00	12--1.00
UU (bolt circle diameter)	9.50	11.75	14.25	17.00
Weight	156	277	418	638

*Nominal

**All dimensions are in inches. All weights are in pounds and are approximate.

Rev. 4-14 Shaded area indicates changes

Catalog Number -

Flanged ends, with bronze disc facing

- 14" - 1400-8001BBLW
- 16" - 1600-8001BBLW
- 18" - 1800-8001BBLW
- 20" - 2000-8001BBLW
- 24" - 2400-8001BBLW
- 30" - 3000-8001BBLW
- 36" - 1400-8001BBLW

Flanged ends, with rubber disc facing

- 14" - 1400-8001B1LW
- 16" - 1600-8001B1LW
- 18" - 1800-8001B1LW
- 20" - 2000-8001B1LW
- 24" - 2400-8001B1LW
- 30" - 3000-8001B1LW
- 36" - 1400-8001B1LW

- Meets all applicable parts of ANSI/AWWA C508 Standard
- Flanged end dimensions and drilling comply with ANSI B16.1, class 125
- Epoxy coated interior & exterior for corrosion resistance
- Certified to ANSI/NSF 61
- Iron body, bronze mounted (IBBM)
- Choice of bronze or rubber disc facing
- For vertical or horizontal installation
- O-ring sealed stuffing box
- Adjustable weight to control opening and closing of clapper
- 150 psig (1000 kPa/10 barg) maximum working pressure, 300 psig (2100 kPa/21 barg) test pressure



1600-8001BBLW



NOTE: 8001 series Valves on this page cannot be adapted with cylinders. Use 9001 series valve if cylinders might be added after the valves are installed.

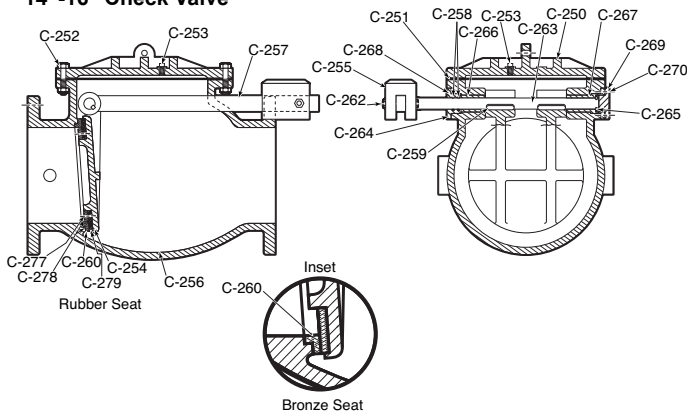
Options

- Spring Kits
- 304 Stainless Steel Nuts & Bolts
- Drain Plug/Flush port
- Braided Teflon Hinge Pin Packing

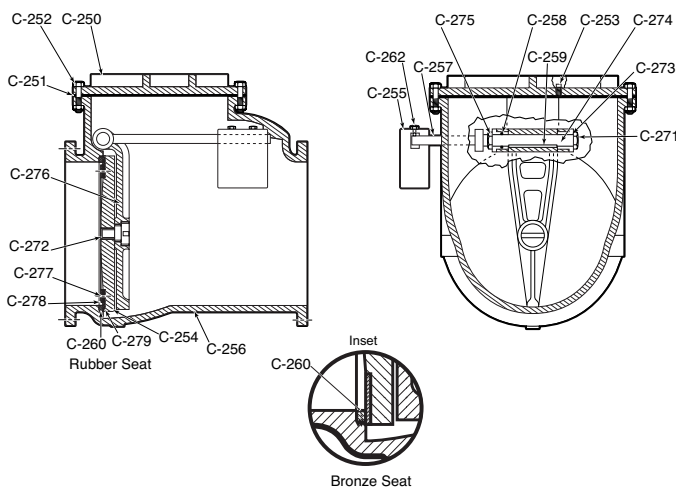
Check Valve Parts

Catalog Part No.	Description	Material	Material Standard
C-250	Cover	Cast Iron	ASTM A126 CL.B
C-251	Cover Gasket	Rubber	ASTM D2000 AA 7008
C-252	Cover Bolt and Nut	Zinc Coated Steel	ASTM A307 Grade B
C-253	Test Plug	Malleable Iron	ASTM A47
C-255	Weight	Cast Iron	ASTM A126 CL.B
C-256	Body	Cast Iron	ASTM A126 CL.B
C-258	O-ring	Rubber	ASTM D2000
C-259	Key	Stainless Steel	ASTM A276 Type 304
C-260	Body Seat Ring	Bronze	ANSI B62
C-262	Weight Bolt	Zinc Coated Steel	ASTM A307 Grade B
14"-16"			
C-254	Disc	Ductile Iron	ASTM A536 ▼
C-257	Weight Arm	Zinc Coated Steel	ASTM A307 Grade B
C-263	Hinge Pin	Stainless Steel	ASTM A276 Type 304
C-264	O-ring	Rubber	ASTM D2000
C-265	Snap Ring	Stainless Steel	ASTM A276 Type 420
C-266	Bushing A	Bronze	ANSI B62
C-267	Bushing B	Bronze	ANSI B62
C-268	End Plate A	Bronze	ANSI B62
C-269	End Plate B	Ductile Iron	ASTM A536 ▼
C-270	End Plate Bolt	Zinc Coated Steel	ASTM A307 Grade B
18"-36"			
C-254	Disc	Cast Iron	ASTM A126 Class B
C-257	Weight Arm	Ductile Iron	ASTM A536 ▼
C-271	Gasket	Rubber	ASTM D2000
C-272	Disc Bolt	Stainless Steel	ASTM A276 Type 304
C-273	Retaining Plug	Bronze	ASTM B21
C-274	Clapper Arm Shaft	Stainless Steel	ASTM A276 Type 304
C-275	Seat Nut	Bronze	ASTM B21
C-276	Arm	Ductile Iron	ASTM A536 ▼
Rubber Faced Disc Parts			
C-277	Seat Holder Bolt	Stainless Steel	ASTM A276 Type 304
C-278	Seat Holder	Ductile Iron	ASTM A536 ▼
C-279	Disc Seat Ring	Rubber	ASTM D2000 AA 7008
Bronze Faced Disc Parts			
C-261	Disc Seat Ring	Bronze	ANSI B62

14"-16" Check Valve



18"-36" Check Valve

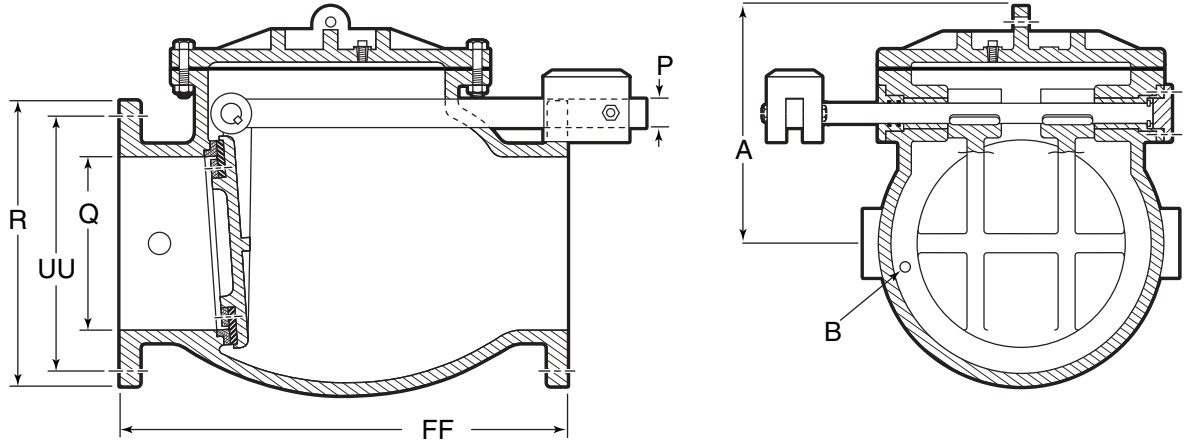


▼ Material strength ASTM A536 65-45-12 minimum

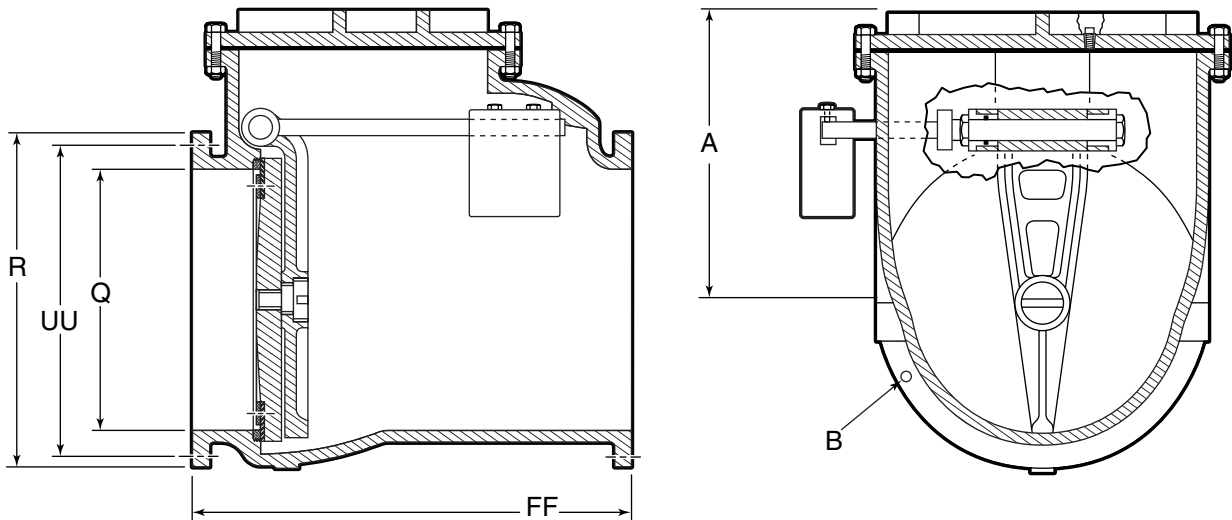
8001 SERIES 14" - 36" SWING TYPE LEVER AND WEIGHT CHECK VALVE DIMENSIONS-FL.X FL.

Shaded area indicates change Rev. 6-15

14" - 16" Check Valve



18" - 36" Check Valve



Dimension**	Size*						
	14"	16"	18"	20"	24"	30"	36"
Q	14.00	16.00	18.13	20.13	24.00	30.00	36.00
R	21.00	23.50	25.00	27.50	32.00	38.75	46.00
FF	31.00	36.00	40.00	40.00	48.00	52.50	60.50
A	19.31	21.50	25.13	27.00	31.63	36.38	40.00
P	1.75	2.00	-	-	-	-	-
UU (bolt circle diameter)	18.75	21.25	22.75	25.00	29.50	36.00	42.75
B (number and size of bolts)	12 - 1.13	16 - 1.13	16 - 1.25	20 - 1.25	20 - 1.38	28 - 1.38	32 - 1.63
Weight	1,111	1,450	1,804	2,194	3,076	5,955	7,645

*Nominal

**All dimensions are in inches. All weights are in pounds and are approximate.

Rev. 4-14 Shaded area indicates changes

- Catalog number---
 - A-2600-6-02BB** flanged ends, with bronze disc facing
 - A-2602-6-02B1** flanged ends, with rubber disc facing
- Sizes---2", 2-1/2", 3", 4", 6", 8", 10", 12"
- Meets all applicable parts of ANSI/AWWA C508 Standard
- Epoxy coated interior & exterior for corrosion resistance
- Certified to ANSI/NSF 61
- Flanged end dimensions and drilling comply with ANSI B16.1, class 125
- Iron body, bronze mounted (IBBM)
- Choice of bronze or rubber disc facing
- For vertical or horizontal installation
- O-ring sealed stuffing box
- Adjustable spring tension to control opening and closing of clapper, lever and spring can be installed on either side of valve
- 200 psig (1400 kPa/14 barg) maximum working pressure, 400 psig (2800 kPa/28 barg) test pressure



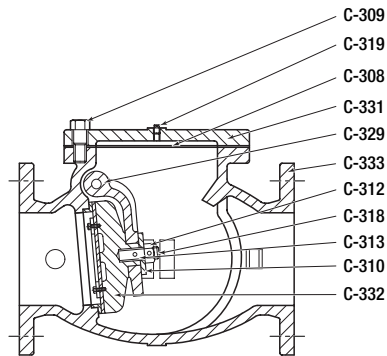
A-2600-6-02BB

Options

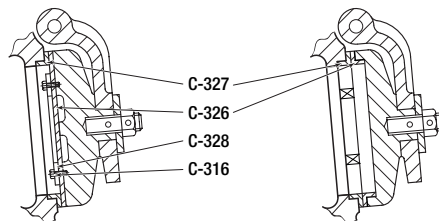
- PN 10/PN 16 Flange Drilling 4"-12"
- Stainless Steel Nuts & Bolts
- Tapped Bosses
- Allen Bradley Limit Switch

Check Valve Parts (2011-present)

Catalog Part No.	Description	Material	Material Standard
C-301	Retaining Plug	Brass	ANSI B21
C-302	Stud Nut & Nut	Zinc Coated Steel	ASTM A307 Grade B
C-303	Arm B	Zinc Coated Steel	ASTM A36
C-306	O-ring C	Rubber	ASTM D2000, BK 707
C-307	O-ring B	Rubber	ASTM D2000, BK 707
C-308	Gasket	Rubber	ASTM D2000, BK 807
C-309	Cover Bolt	Zinc Coated Steel	ASTM A307 Grade B
C-310	Washer	Brass	ANSI B21
C-311	Spacer	Brass	ANSI B21
C-312	Disc Nut	Brass	ANSI B21
C-313	Disc Stud	Brass	ANSI B21
C-314	Snap Ring	Stainless Steel	ASTM A276 Type 420
C-317	Spring	Zinc Coated Steel	ASTM A307 Grade B
C-318	Pin	Stainless Steel	ASTM A276 Type 304
C-319	Test Plug	Malleable Iron	ASTM A47
C-320	Key	Stainless Steel	ASTM A276 Type 304
C-321	Hinge Pin	Stainless Steel	ASTM A276 Type 304
C-322	Weight Arm	Ductile Iron	ASTM A536 ▼
C-323	Bolt & Nut	Zinc Coated Steel	ASTM A307 Grade B
C-324	Bolt	Zinc Coated Steel	ASTM A307 Grade B
C-325	Seat Nut	Brass	ANSI B21
C-327	Body Seat Ring	Bronze	ANSI B62
C-329	Arm	Ductile Iron	ASTM A536 ▼
C-331	Cover	Cast Iron	ASTM A126 Cl. B
C-332	Disc	Cast Iron	ASTM A126 Cl. B
C-333	Body	Cast Iron	ASTM A126 Cl. B
Rubber Faced Disc Parts			
C-316	Disc Seat Bolt	Stainless Steel	ASTM A276 Type 304
C-326	Disc Seat Ring	Rubber	ASTM D2000, BK 807
C-328	Seat Holder	Cast Iron*	ASTM A126 Cl. B
Bronze Faced Disc Parts			
C-326	Disc Seat Ring	Bronze	ANSI B62

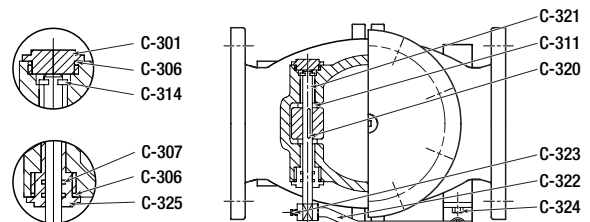


Valve body and clapper
Rubber faced disc shown

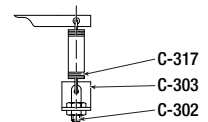


Rubber faced disc clapper

Bronze faced disc clapper



Hinge pin and stuffing box

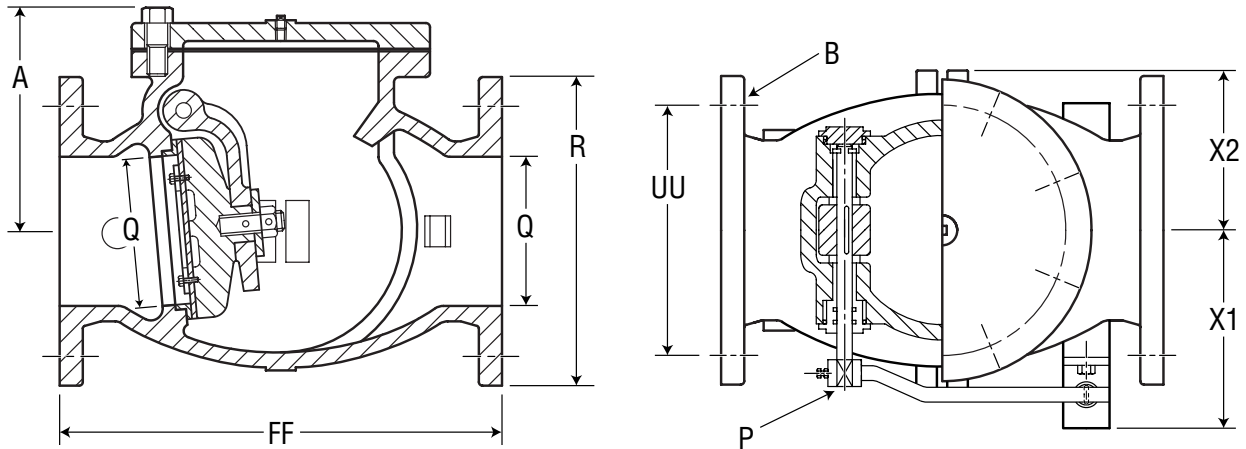


Spring lever assembly

*2"- 6" sizes are cast iron, ASTM A126 Cl. B, 8"- 12" sizes are ductile iron ASTM A536
 ▼ Material strength ASTM A536 65-45-12 minimum

2"-12" SWING TYPE LEVER AND SPRING CHECK VALVE DIMENSIONS-FL. X FL.

Shaded area indicates change Rev. 6-15



Dimension**	Size*			
	2"	2-1/2"	3"	4"
Q (bore)	2.00	2.50	3.00	4.00
R	6.00	7.00	7.50	9.00
FF	8.00	8.50	9.50	11.50
X1	5.13	5.13	6.31	7.13
X2	2.81	3.56	4.06	4.94
A	4.94	5.69	6.06	6.88
P (hinge pin diameter)	.38	.38	.50	.50
B (number and size of bolts)	4--.75	4--.75	4--.75	8--.75
UU (bolt circle diameter)	4.75	5.50	6.00	7.50
Weight	35	51	62	83

Dimension**	Size*			
	6"	8"	10"	12"
Q (bore)	6.00	8.00	10.00	12.00
R	11.00	13.50	16.00	19.00
FF	14.00	19.50	24.50	27.50
X1	8.69	10.88	12.25	14.38
X2	5.94	8.06	9.19	10.81
A	8.50	9.94	11.19	13.56
P	.75	.88	1.00	1.13
B (number and size of bolts)	8--.88	8--.88	12--1.00	12--1.00
UU (bolt circle diameter)	9.50	11.75	14.25	17.00
Weight	153	272	410	618

*Nominal

**All dimensions are in inches. All weights are in pounds and are approximate.

Rev. 4-14 Shaded area indicates changes

Catalog Number

Flanged ends, with bronze disc facing

- 14" - 1400-8001BBLS
- 16" - 1600-8001BBLS
- 18" - 1800-8001BBLS
- 20" - 2000-8001BBLS
- 24" - 2400-8001BBLS
- 30" - 3000-8001BBLS
- 36" - 1400-8001BBLS

Flanged ends, with rubber disc facing

- 14" - 1400-8001B1LS
- 16" - 1600-8001B1LS
- 18" - 1800-8001B1LS
- 20" - 2000-8001B1LS
- 24" - 2400-8001B1LS
- 30" - 3000-8001B1LS
- 36" - 1400-8001B1LS

- Meets all applicable parts of ANSI/AWWA C508 Standard
- Flanged end dimensions and drilling comply with ANSI B16.1, class 125
- Epoxy coated interior & exterior for corrosion resistance
- Certified to ANSI/NSF 61
- Iron body, bronze mounted (IBBM)
- Choice of bronze or rubber disc facing
- For vertical or horizontal installation
- O-ring sealed stuffing box
- Adjustable spring tension to control opening and closing of clapper
- 150 psig (1000 kPa/10 barg) maximum working pressure, 300 psig (2100 kPa/21 barg) test pressure



**8001 Series
1600-8001BBLV**



NOTE: 8001 series Valves on this page cannot be adapted with cylinders. Use 9001 series valve if cylinders might be added after the valves are installed.

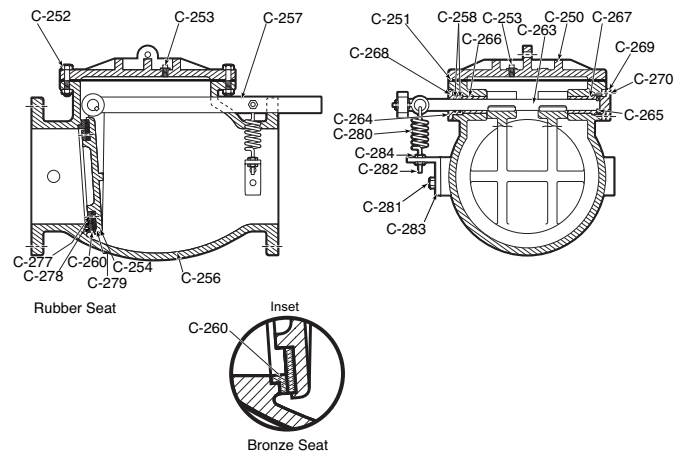
Options

- Spring Kits
- 304 Stainless Steel Nuts & Bolts
- Drain Plug/Flush port
- Braided Teflon Hinge Pin Packing

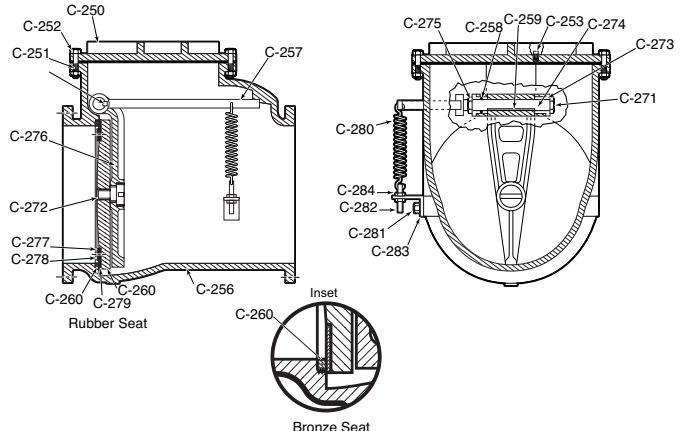
Check Valve Parts

Catalog Part No.	Description	Material	Material Standard
C-250	Cover	Cast Iron	ASTM A126 CL.B
C-251	Cover Gasket	Rubber	ASTM D2000 AA 7008
C-252	Cover Bolt and Nut	Zinc Coated Steel	ANSI B18.2.1
C-253	Test Plug	Iron	ASTM A47
C-255	Weight	Cast Iron	ASTM A126 CL.B
C-256	Body	Cast Iron	ASTM A126 CL.B
C-258	O-ring	Rubber	ASTM D2000
C-259	Key	Stainless Steel	ASTM A276 Type 304
C-260	Body Seat Ring	Bronze	ANSI B62
C-261	Disc Seat Ring	Bronze	ANSI B62
C-280	Spring	Plated Steel	ASTM A36
C-281	Bolt	Zinc Coated Steel	ASTM A307 Grade B
C-282	Straight Bolt	Stainless Steel	ASTM A276 Type 304
C-283	Bracket	Cold Rolled Steel	ASTM A1008
C-284	Nut	Zinc Coated Steel	ASTM A307 Grade B
14"-16"			
C-254	Disc	Ductile Iron	ASTM A536 ▼
C-257	Weight Arm	Zinc Coated Steel	ASTM A307 Grade B
C-263	Hinge Pin	Stainless Steel	ASTM A276 Type 304
C-264	O-ring	Rubber	ASTM D2000
C-265	Snap Ring	Stainless Steel	ASTM A276 Type 420
C-266	Bushing A	Bronze	ANSI B62
C-267	Bushing B	Bronze	ANSI B62
C-268	End Plate A	Bronze	ANSI B62
C-269	End Plate B	Ductile Iron	ASTM A536 ▼
C-270	End Plate Bolt	Zinc Coated Steel	ASTM A307 Grade B
18"-36"			
C-254	Disc	Cast Iron	ASTM A126 Class B
C-257	Weight Arm	Ductile Iron	ASTM A536 ▼
C-271	Gasket	Rubber	ASTM D2000
C-272	Disc Bolt	Stainless Steel	ASTM A276 Type 304
C-273	Retaining Plug	Bronze	ASTM B21
C-274	Clapper Arm Shaft	Stainless Steel	ASTM A276 Type 304
C-275	Seat Nut	Bronze	ASTM B21
C-276	Arm	Ductile Iron	ASTM A536 ▼
Rubber Faced Disc Parts			
C-277	Seat Holder Bolt	Stainless Steel	ASTM A276 Type 304
C-278	Seat Holder	Ductile Iron	ASTM A536 ▼
C-279	Disc Seat Ring	Rubber	ASTM D2000 AA 7008
Bronze Faced Disc Parts			
C-261	Disc Seat Ring	Bronze	ANSI B 62

14"-16" Check Valve



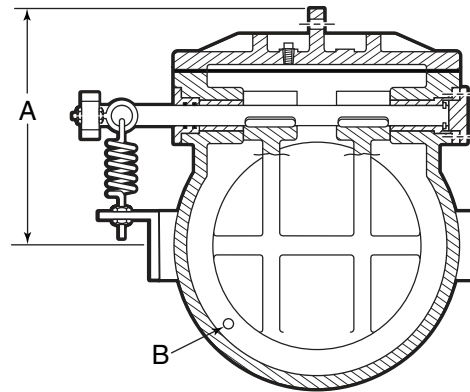
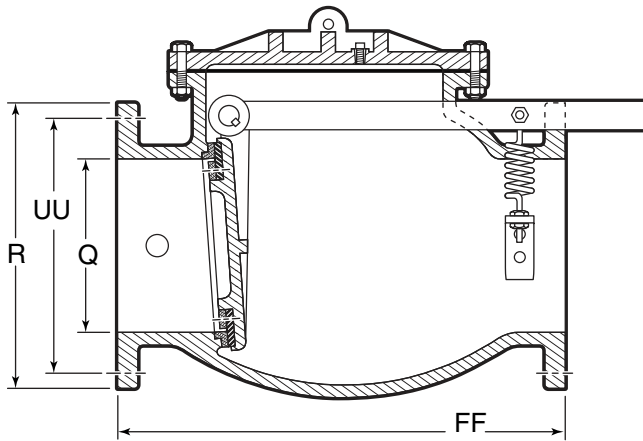
18"-36" Check Valve



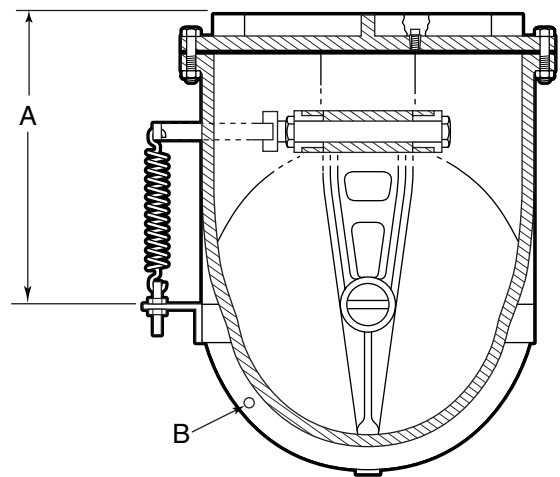
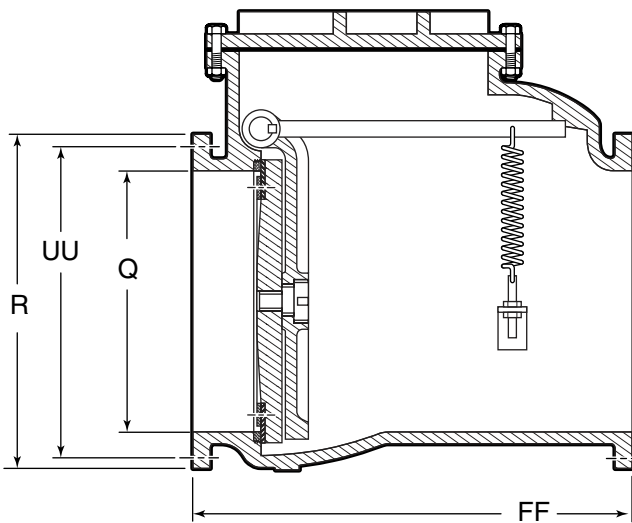
▼ Material strength ASTM A536 65-45-12 minimum

8001 SERIES 14"-36" SWING TYPE LEVER AND SPRING CHECK VALVES WITH FL. X FL.

Shaded area indicates change Rev. 6-15



18"-36" Check Valve



Dimension**	Size*						
	14"	16"	18"	20"	24"	30"	36"
Q	14.00	16.00	18.13	20.13	24.00	30.00	36.00
R	21.00	23.50	25.00	27.50	32.00	38.75	46.00
FF	31.00	36.00	40.00	40.00	48.00	52.50	60.50
A	19.31	21.50	25.13	27.00	31.63	36.38	40.00
UU (bolt circle diameter)	18.75	21.25	22.75	25.00	29.50	36.00	42.75
B (number and size of bolts)	12 – 1.13	16 – 1.13	16 – 1.25	20 – 1.25	20 – 1.38	28 – 1.38	32 – 1.63
Weight	1,073	1,387	1,738	2,128	3,010	5,836	7,526

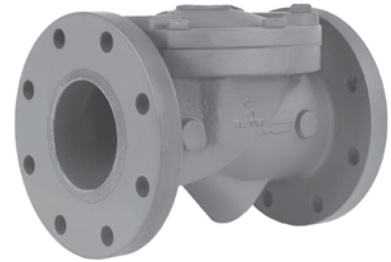
*Nominal

**All dimensions are in inches. All weights are in pounds and are approximate.

Rev. 3-16 Shaded area indicates changes

Model 851A

- Sizes –2", 2-1/2", 3", 4", 6", 8", 10", 12", 14", 16", 18", 20", 24"
- Ductile iron body and cover
- Epoxy coated interior & exterior for corrosion resistance
- Certified to ANSI/NSF 61
- Stainless steel bolts
- Buna encapsulated steel flexible disc with nylon fabric reinforcement
- Vertical or horizontal (flow upwards) installation
- 250 psig (1725 kPa/17 barg) maximum working pressure, 500 psig (3450 kPa/35 barg) test pressure



Options

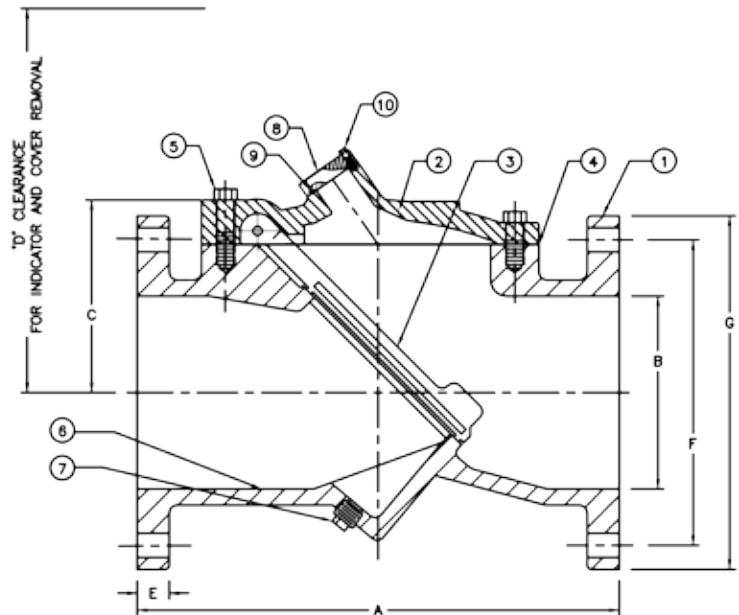
- Disc position indicator
- External backflow device - to manually open disc
- EPDM disc option
- Proximity limit switch
- Stainless steel cover bolts

Check Valve Parts

Part Number	Description	Material	Material Standard
1	Body	Ductile Iron	ASTM A-536-GR- 65-45-12
2	Bonnet	Ductile Iron	ASTM A-536-GR- 65-45-12
3	Disc	Steel/Buna-N	ASTM D2000 BK 807
4	Gasket	Rubber (Buna N)	D2000 BK 807
5	Cap bolts	Steel/Zinc	SAE Grade 5 - Zinc plated
6	Interior lining	Epoxy	-
7	Plug	Ductile Iron	ASTM A-536-GR- 65-45-12
8	Boss cover	Ductile Iron	ASTM A-536-GR- 65-45-12
9	O-ring	Rubber (Buna)	D2000 BK 807
10	Boss cover bolts	Steel/Zinc	SAE Grade 5 - Zinc plated

Dimensions** and Weight

Valve Size*	A	B	C	D	Weight**
2"	8.00	2.00	3.38	8.38	22
2-1/2"	8.50	2.50	3.38	8.38	30
3"	9.50	3.00	3.88	9.00	40
4"	11.50	4.00	4.63	9.63	71
5"	13.75	5.00	5.13	10.25	120
6"	15.00	6.00	5.88	11.00	125
8"	19.50	8.00	7.63	13.75	222
10"	24.50	10.00	9.88	16.00	372
12"	27.50	12.00	11.38	18.50	514
14"	31.00	14.00	13.38	20.50	696
16"	32.00	16.00	15.38	23.50	987
18"	36.00	18.00	17.13	25.25	1,340
20"	40.00	20.00	19.13	29.25	1,670
24"	48.00	24.00	22.75	32.75	2,147



*Nominal

**All dimensions are in inches. All weights are in pounds and are approximate.

▼ Material strength ASTM A536 65-45-12 minimum

Model 850MJ

- Sizes – 3", 4", 6", 8", 10", 12", 14", 16"
- Ductile iron body and cover
- Epoxy coated interior & exterior for corrosion resistance
- Certified to ANSI/NSF 61
- Stainless steel bolts
- Buna encapsulated steel flexible disc with nylon fabric reinforcement
- Vertical or horizontal (flow upwards) installation
- 250 psig (1725 kPa/17 barg) maximum working pressure, 500 psig (3450 kPa/35 barg) test pressure



Options

- EPDM disc

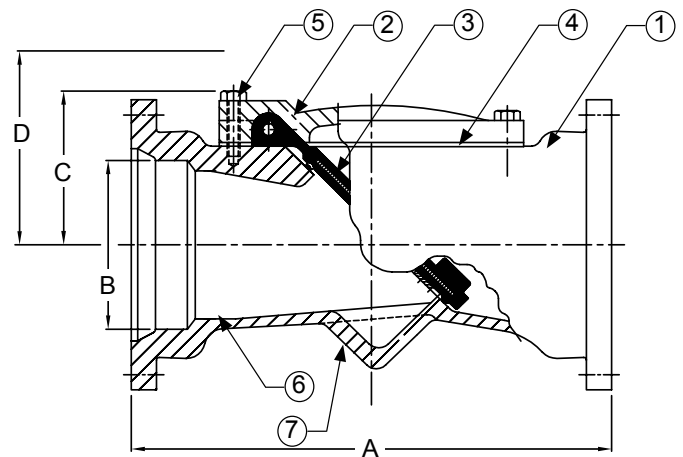
Check Valve Parts

Part Number	Description	Material	ASTM Designation
1	Body	Ductile Iron	ASTM A-536 ▼
2	Bonnet	Ductile Iron	ASTM A-536 ▼
3	Disc	Steel / BUNA-N or EPDM	ASTM A-36/D-2000 BK 807
4	Gasket	Rubber (BUNA N)	D 2000 BK 807
5	Bonnet Bolts	Stainless steel	MJ - Type 304
6	Interior Lining	Epoxy	-
7*	Plug	Ductile Iron	ASTM A-536 ▼
8	Exterior Coating	MJ - epoxy / FL - primer	-

Dimensions

Dimension "D" clearance required to remove access cover

Valve Size	A	B	C	D
3	13	3	3.90	9
4	14.96	4	4.65	9.75
5	–	5*	–	10.25*
6	19.3	6	6.22	11
8	23.81	8	7.80	13.75
10	28.34	10	10.20	16
12	33	12	11.38	18.5
14	35	14	12.00	20.5
16	37	16	13.58	23.5



Standard mechanical joint ends comply with ANSI/AWWA C111.

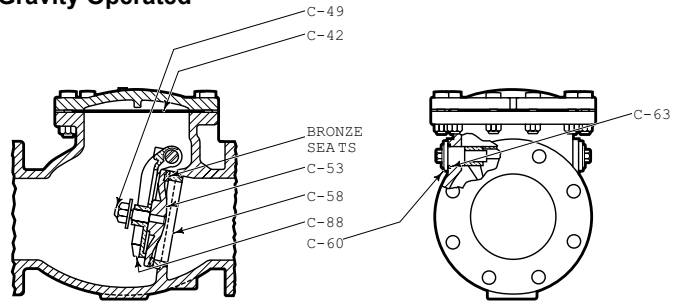
▼ Material strength ASTM A536 65-45-12 minimum

Rev. 10-17 Shaded area indicates changes



*Gravity Operated Shown

Gravity Operated



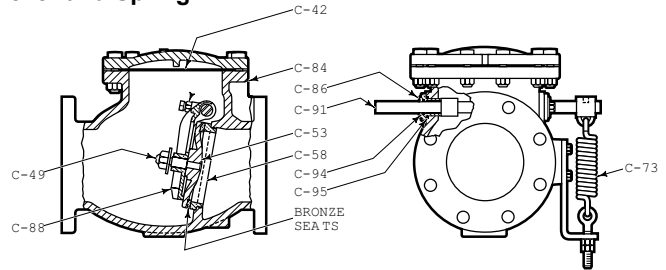
Valve body and clapper
2-1/2"-12"
Metal faced disc shown

Hinge pin and stuffing box†
2-1/2", 3"

Check Valve Parts (1959-2010)

Catalog Part Number	Description	Material	Material Standard
C-42	Cover Gasket	Cloth inserted Rubber	ASTM D2000
C-58	Seat Ring	Bronze	ASTM B584
C-60 2-1/2"-3"	Hinge Plug and Pin (1 pc.)	Bronze	ASTM B138
C-63	Body O-ring	Rubber	ASTM D2000
C-73	Spring	Steel	
C-86 2-1/2"-3"	Stuffing Box	Bronze	ASTM B126
C-88	Clapper Arm	Bronze	ASTM B584
C-91	Hinge Pin	Stainless Steel	ASTM A276
C-94	Hinge Pin O-ring	Rubber	ASTM D2000
C-95	Body O-ring	Rubber	ASTM D2000
C-101	Hinge Pin +	Stainless Steel	ASTM A276 Type 303
C-102	Hinge Pin O-ring (small) +	Rubber	ASTM D2000
C-103	Hinge Pin O-ring (large) +	Rubber	ASTM D2000
C-104	Snap Ring +	Stainless Steel	
C-105	Stuffing Box O-ring +	Rubber	ASTM D2000
C-106	Stuffing Box +	Bronze	ASTM B138
Metal Faced Disc Parts			
C-48	Stud Nut	Bronze	ASTM B62
C-49	Disc Stud	Bronze	ASTM B21
C-53	Disc*	Cast Iron	ASTM A126 CL.B
Rubber Faced Disc Parts			
C-50	Disc Stud	Bronze	ASTM B21
C-54	Disc**	Cast Iron	ASTM A126 CL.B
C-55	Rubber Disc Facing	Rubber	ASTM D2000
C-56	Retainer Washer	Bronze	ASTM B584
C-57	Retainer Nut	Bronze	ASTM B62

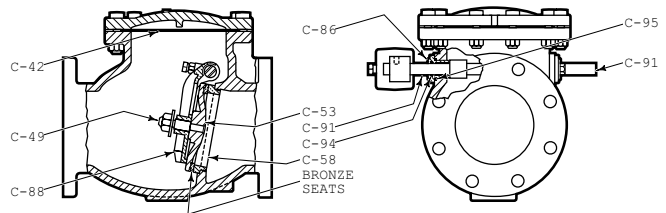
Lever and Spring



Valve body and clapper
2-1/2"-12"
Metal faced disc shown

Spring Lever Assembly
2-1/2"-12"
Hinge pin and stuffing box†
2-1/2", 3"

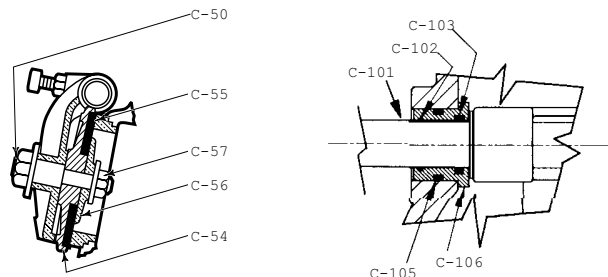
Lever and Weight



Valve body and clapper
2-1/2"-12"
Metal faced disc shown

Lever Assembly
2-1/2"-12"
Hinge pin and stuffing box†
2-1/2", 3"

Gravity, Lever and Weight, Lever and Spring



Rubber faced disc
and clapper
2-1/2"-12"

Hinge pin and stuffing box††
4"-12"

+ Please indicate the year of the check valve when requesting these parts.