

Standard Features

- Programmable function keys
- Print speed of 3.9 in (100 mm) per second
- Convenient side-loading label feature
- TC/IP 10/100 Base T Ethernet
- Proportional tare
- 84 one-touch preset keys, 168 presets (assign two items/key 0)

Specifications

Capacity:

30 lb x 0.01 lb

Weighing Resolution:

3,000 display divisions maximum

Display Types:

LCD, blue alphanumeric (23 digits, 16 seg)

Display Items:

Tare: Four-digits
 Unit price: Five-digits
 Total price: Six-digits

Preset Keys:

84 one-touch preset keys 168 presets
 (assign two items/key)

Memory Capacity:

2 MB

Communications:

TCP/IP 10/100 Base T Ethernet

Platter:

14.5 x 10.5 in

Printing Speed:

3.9 in (100 mm) per second

Printing:

Direct thermal 2.2 in (56 mm)
 (448 dot, 8 dot/mm)

Label Size:

Width: 1.5-2.5 in (38-64 mm) {min}
 Length: 1.2-6.9 in (30-175 mm) {max}

Label Roll:

Inside diameter: 1.6 in (40 mm)
 Outside diameter: 3.9 in (100 mm)

Label Backing Paper:

Width: Up to 2.6 in (66 mm)

Power Supply:

AC100-240 V, 50/60 Hz

Power Consumption:

Stand-by: 50 W
 In operation: 100 W

Classification:

NTEP CC 07-005
 UL Listed

Warranty:

One-year limited warranty



Astra II Bench

Astra II Pole

Part Number/Price

Part #	Model	Capacity	Weight	Price
185822	Astra II Bench	30 lb x 0.01 lb	25 lb	\$1,575.00
185823	Astra II Pole	30 lb x 0.01 lb	25 lb	\$1,655.00

Options/Accessories

Part #	Description	Price
47977	Produce platter	\$75.00
47976	Fish platter	\$95.00
47341	Continuous roll thermal journal paper, 64 mm W x 50 m L (for reports only)	\$5.00
184273*	Technical manual	\$15.00
184270*	Additional operating manual	\$15.00
184274*	Additional operation card	\$15.00
47732	2.36 in x 1.73 in (60 mm x 44 mm)	\$66.00
47733	2.52 in x 1.85 in (64 mm x 47 mm)	\$66.00
47735	2.52 in x 2.32 in (64 mm x 59 mm)	\$66.00
47736	Pre-printed safe handling instructions, 2.52 in x 2.32 in (64 mm x 59 mm)	\$66.00
47743***	Extended text, 2.52 in x 3.34 in (64 mm x 85 mm)	\$66.00
47745	Pre-printed safe handling instructions on top of label, 2.52 in x 3.34 in (64 mm x 85 mm)	\$66.00
47762	Non-barcode, 2.52 in x 1.46 in (64 mm x 37 mm)	\$66.00

Label Stock, please consult factory for case quantity pricing. Examples shown on next page.

Labels sold by the case-12 rolls per case.

* Manuals and software programs can be downloaded at no charge from our website at www.ricelake.com

*** Safe handling instructions can also be printed by scale

NEW Ishida Astra II

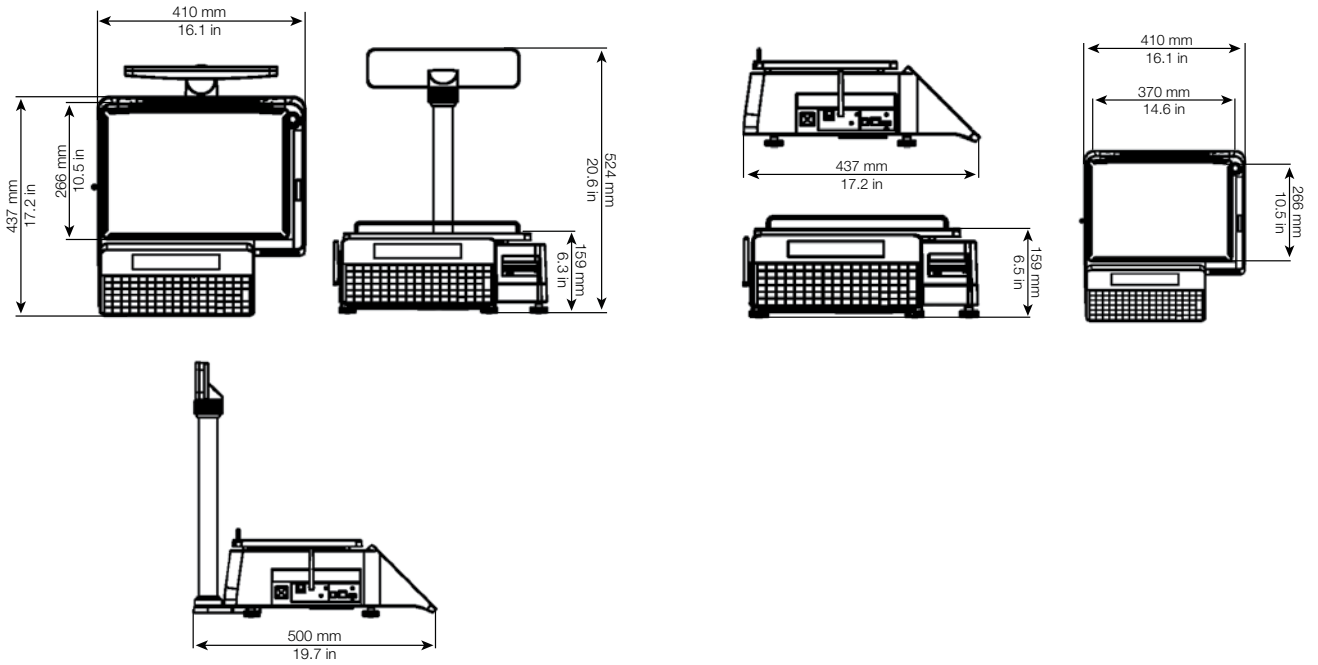
Price Computing Scale with Printer

Dimensions: Bench

Unit
17.2 in x 16.1 in x 6.3 in (437 mm x 410 mm x 159 mm)
Stainless Steel Platter
10.5 in x 14.6 in (268 x 370 mm)

Dimensions: Pole

Unit
17.2 in x 16.1 in x 6.3 in (437 mm x 410 mm x 159 mm)
Stainless Steel Platter
10.5 in x 14.6 in (268 x 370 mm)
Unit with Pole
19.7 in x 16.1 in x 20.6 in (500 mm x 410 mm x 524 mm)



Ishida Astra II Standard Label Formats

Titles on labels are pre-printed (SELL BY, PACKED ON, \$ LB, NET WT, TOTAL PRICE)

Maximum description text per label

Formats 1-5..... 1 name line + 2 ingredient lines

Format 6..... 1 name line + 6 ingredient lines

Format 7..... 1 name line + 17 ingredient lines

Format 8..... 1 name line + 6 ingredient lines

Format 1

47732

SELL BY	PACKED ON	\$/LB.	WEIGHT(LB.)
			TOTAL PRICE(\$)

Example

60 x 44 STD.
Part #47732 800 Labels Per Roll

SELL BY	PACKED ON	\$/LB.	WEIGHT(LB.)
SEP:28.15	SEP:27.15	0.00	0.71

1000
TOTAL PRICE(\$)
\$0.00

0 200000 200003

RICE LAKE/ISHIDA
230 W. Coleman St. Rice Lake, WI (800) 472-6703

Format 5

47762

PACKED ON	\$/LB.	NET WT.	TOTAL PRICE
SELL BY			

Example

60 x 37 NON BARCODE
Part #47762 1000 Labels Per Roll

PACKED ON	\$/LB.	NET WT.	TOTAL PRICE
SEP:27.15	0.00	0.71	\$0.00

1000

RICE LAKE/ISHIDA
230 W. Coleman St. Rice Lake, WI (800) 472-6703

Format 2

47733

SELL BY	PACKED ON	\$/LB.	NET WT.
			TOTAL PRICE

Example

64 x 47 STD.
Part #47733 800 Labels Per Roll

SELL BY	PACKED ON	\$/LB.	NET WT.
SEP:28.15	SEP:27.15	0.00	0.71

1000
TOTAL PRICE
\$0.00

0 200000 200003

RICE LAKE/ISHIDA
230 W. Coleman St. Rice Lake, WI (800) 472-6703

Format 6

47735

SELL BY	PACKED ON	\$/LB.	NET WT.
			TOTAL PRICE

Example

64 x 59 EXTENDED TEXT
Part #47735 625 Labels Per Roll

SELL BY	PACKED ON	\$/LB.	NET WT.
SEP:28.15	SEP:27.15	5.99	0.14

1000
TOTAL PRICE
\$0.84

RICE LAKE/ISHIDA
230 W. Coleman St. Rice Lake, WI (800) 472-6703

Format 3

47743

SELL BY	PACKED ON	\$/LB.	NET WT.(LB.)
			TOTAL PRICE \$

Example

64 x 85 SAFE HANDLING*
Part #47743 425 Labels Per Roll

SAFE HANDLING INSTRUCTIONS
THIS PRODUCT WAS PREPARED FROM INSPECTED AND PASSED MEAT AND/OR POULTRY. SOME FOOD PRODUCTS MAY CONTAIN BACTERIA THAT COULD CAUSE ILLNESS IF THE PRODUCT IS MISHANDLED OR COOKED IMPROPERLY. FOR YOUR PROTECTION, FOLLOW THESE SAFE HANDLING INSTRUCTIONS.

- KEEP REFRIGERATED OR FROZEN. THAW IN REFRIGERATOR OR MICROWAVE.
- KEEP RAW MEAT AND POULTRY SEPARATE FROM OTHER FOODS. WASH WORKING SURFACES (INCLUDING CUTTING BOARDS, UTENSILS, AND HANDS) IMMEDIATELY AFTER TOUCHING RAW MEAT OR POULTRY.
- COOK THOROUGHLY.
- KEEP HOT FOODS HOT. REFRIGERATE LEFTOVERS IMMEDIATELY OR DISCARD.

SELL BY	PACKED ON	\$/LB.	NET WT.(LB.)
SEP:28.15	SEP:27.15	0.00	0.71

1000
TOTAL PRICE \$
\$0.00

0 200000 200003

RICE LAKE/ISHIDA
230 W. Coleman St. Rice Lake, WI (800) 472-6703

Format 7

47743

SELL BY	PACKED ON	\$/LB.	NET WT.(LB.)
			TOTAL PRICE \$

Example

64 x 85 EXTENDED TEXT
Part #47734 425 Labels Per Roll

SELL BY	PACKED ON	\$/LB.	NET WT.(LB.)
SEP:28.15	SEP:27.15	0.00	0.71

1000
TOTAL PRICE \$
\$0.35

0 200000 200353

RICE LAKE/ISHIDA
230 W. Coleman St. Rice Lake, WI (800) 472-6703

Format 5

47736

SAFE HANDLING INSTRUCTIONS
THIS PRODUCT WAS PREPARED FROM INSPECTED AND PASSED MEAT AND/OR POULTRY. SOME FOOD PRODUCTS MAY CONTAIN BACTERIA THAT COULD CAUSE ILLNESS IF THE PRODUCT IS MISHANDLED OR COOKED IMPROPERLY. FOR YOUR PROTECTION, FOLLOW THESE SAFE HANDLING INSTRUCTIONS.

- KEEP REFRIGERATED OR FROZEN. THAW IN REFRIGERATOR OR MICROWAVE.
- KEEP RAW MEAT AND POULTRY SEPARATE FROM OTHER FOODS. WASH WORKING SURFACES (INCLUDING CUTTING BOARDS, UTENSILS, AND HANDS) IMMEDIATELY AFTER TOUCHING RAW MEAT OR POULTRY.
- COOK THOROUGHLY.
- KEEP HOT FOODS HOT. REFRIGERATE LEFTOVERS IMMEDIATELY OR DISCARD.

NET WT (Lb.)	PRICE/Lb (\$)	DATE

1000
TOTAL PRICE
\$0.00

Example

64 x 59 SAFE HANDLING
Part #47736 625 Labels Per Roll

SAFE HANDLING INSTRUCTIONS
THIS PRODUCT WAS PREPARED FROM INSPECTED AND PASSED MEAT AND/OR POULTRY. SOME FOOD PRODUCTS MAY CONTAIN BACTERIA THAT COULD CAUSE ILLNESS IF THE PRODUCT IS MISHANDLED OR COOKED IMPROPERLY. FOR YOUR PROTECTION, FOLLOW THESE SAFE HANDLING INSTRUCTIONS.

- KEEP REFRIGERATED OR FROZEN. THAW IN REFRIGERATOR OR MICROWAVE.
- KEEP RAW MEAT AND POULTRY SEPARATE FROM OTHER FOODS. WASH WORKING SURFACES (INCLUDING CUTTING BOARDS, UTENSILS, AND HANDS) IMMEDIATELY AFTER TOUCHING RAW MEAT OR POULTRY.
- COOK THOROUGHLY.
- KEEP HOT FOODS HOT. REFRIGERATE LEFTOVERS IMMEDIATELY OR DISCARD.

NET WT (Lb.)	PRICE/Lb (\$)	DATE
0.71	0.00	SEP:27.15

1000
TOTAL PRICE
\$0.00

0 200000 200003

RICE LAKE/ISHIDA
230 W. Coleman St. Rice Lake, WI (800) 472-6703

Format 8

47745

SAFE HANDLING INSTRUCTIONS
THIS PRODUCT WAS PREPARED FROM INSPECTED AND PASSED MEAT AND/OR POULTRY. SOME FOOD PRODUCTS MAY CONTAIN BACTERIA THAT COULD CAUSE ILLNESS IF THE PRODUCT IS MISHANDLED OR COOKED IMPROPERLY. FOR YOUR PROTECTION, FOLLOW THESE SAFE HANDLING INSTRUCTIONS.

- KEEP REFRIGERATED OR FROZEN. THAW IN REFRIGERATOR OR MICROWAVE.
- KEEP RAW MEAT AND POULTRY SEPARATE FROM OTHER FOODS. WASH WORKING SURFACES (INCLUDING CUTTING BOARDS, UTENSILS, AND HANDS) IMMEDIATELY AFTER TOUCHING RAW MEAT OR POULTRY.
- COOK THOROUGHLY.
- KEEP HOT FOODS HOT. REFRIGERATE LEFTOVERS IMMEDIATELY OR DISCARD.

SELL BY	PACKED ON	\$/LB.	NET WT.
			TOTAL PRICE

Example

64 x 85 REDUCED S.H.
Part #47745 425 Labels Per Roll

SAFE HANDLING INSTRUCTIONS
THIS PRODUCT WAS PREPARED FROM INSPECTED AND PASSED MEAT AND/OR POULTRY. SOME FOOD PRODUCTS MAY CONTAIN BACTERIA THAT COULD CAUSE ILLNESS IF THE PRODUCT IS MISHANDLED OR COOKED IMPROPERLY. FOR YOUR PROTECTION, FOLLOW THESE SAFE HANDLING INSTRUCTIONS.

- KEEP REFRIGERATED OR FROZEN. THAW IN REFRIGERATOR OR MICROWAVE.
- KEEP RAW MEAT AND POULTRY SEPARATE FROM OTHER FOODS. WASH WORKING SURFACES (INCLUDING CUTTING BOARDS, UTENSILS, AND HANDS) IMMEDIATELY AFTER TOUCHING RAW MEAT OR POULTRY.
- COOK THOROUGHLY.
- KEEP HOT FOODS HOT. REFRIGERATE LEFTOVERS IMMEDIATELY OR DISCARD.

SELL BY	PACKED ON	\$/LB.	NET WT.
SEP:28.15	SEP:27.15	3.30	0.72

1000
TOTAL PRICE
\$2.38

0 200000 202383

RICE LAKE/ISHIDA
230 W. Coleman St. Rice Lake, WI (800) 472-6703

RETAIL SCALES

www.ricelake.com | Phone: 800-472-6703

RICE LAKE

953