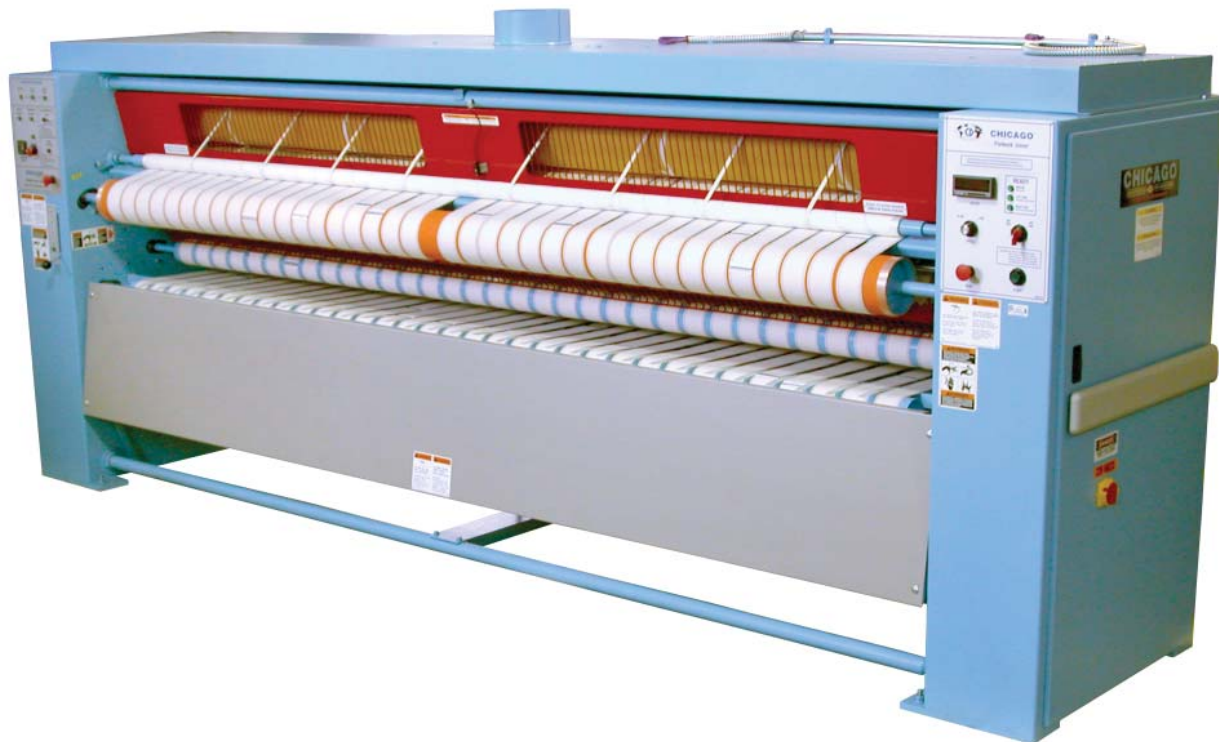


Ironer Folder

Tandem 16™

CHICAGO®



State-of-the-Art Flatwork Ironing with built-in automatic folding, delivering premier quality finishing performance where floor space is limited

Tandem 16 - Chicago's one piece ironer/folder combination offers a smoother work flow, more efficient use of laundry room labor, and a superior finished product to satisfy the most demanding customer in today's competitive environment. Tandem dries and irons sheets, pillowcases and table linen while its quality and labor time saving automatic primary folder reduces sheets and larger table tops to a package easily handled by operators. Gas, steam, and electrically heated models are available in 16" (400mm) diameter ironing rolls with a 120" (3048mm) or 136" (3450mm) roll length.

Expand Your Laundry Facility...

Tandem 16 will automatically dry, iron, and fold any size flatwork from 48" (1220mm) tabletops up to 136" (3450mm) sheets with an output speed of 8 to 45 FPM (2.5 to 13 m/min). No manual setting is required because advanced microprocessor circuitry tracks linen and makes each fold at precisely the right moment to assure an accurate measured fold delivered with selvage edges hidden when crossfolded. Linen is then passed through smoothing rolls which flatten folded linen to make stacking neater and easier. Smaller items are dried, ironed, and returned to operators. Each Tandem Model 16 (400mm) offers a choice of three heat sources to suit the user's utility preference.

TSO - Steam Heated Models

- Simple design provides uniform heat across the entire ironing surface
- Extremely low maintenance requirements
- Ideal for installations with existing boiler providing 90 to 125 psi
- Furnished with flexible inlet/return hoses, all internal piping and steam trap
- ASME inspected and certified heating cylinder meets insurance and local code requirements
- Full exhaust canopy with blower and motor is a recommended option

TEO - Electrically Heated Models

- Exceptionally clean, quiet and smooth
- Used where electricity is best energy source
- Electric heating elements with reflectors mounted inside revolving cylinder for smooth, trouble free switching
- Thermostat cycles on and off as needed
- Full exhaust canopy with blower and motor is a recommended option

TGO - Gas Heated Models

Our most popular model offers the highest production and efficiency of all heat sources

- Full power burner system, a Chicago exclusive, assures proper drying at higher speeds – over twice the drying power of ironers with low production atmospheric burners. Faster drying speeds mean fewer FTE hours and utilities are required to finish linen, providing a prompt investment payback
- Adjustable thermostat automatically cycles prepurge, combustion blower and gas to match production rate, moisture, and speed, while minimizing gas consumption
- Flame is proven by non-contact UV scanner (without touching the flame) so there is no flame rod or flame rod wire to maintain
- Electronic ignition and flame safeguard protection for instant shutdown in event of a problem
- Models available for all types of natural and LP gas
- Full exhaust canopy with blower and motor removes excess moisture and combustion by-products

Eagle Eye™ – Chicago's Exclusive Touchless Temperature Control



Chicago, the world's leading designer and builder of gas heated ironers, has redefined gas temperature control with its patented Eagle Eye touchless temperature control system. This electronic technology eliminates mechanical contact shoes, high temperature limit switches and temperature fluctuations due to excessive wear, wax/lint buildup, or lack of maintenance. There are no mechanical parts to wear out because all temperature measurement and control is performed electronically from outside the heated cylinder without touching the ironing surface or coming in contact with lint, wax, chemicals or moving mechanical parts. Temperature control is not affected by lane configuration or mechanical adjustments because Eagle Eye constantly monitors digital temperature signals from a wide band of the ironing surface to ensure the most accurate control possible in a gas or electrically heated ironer. Precise burner control and quicker response time also means higher efficiency because the burner matches the exact heating requirements called for by the speed, moisture retention and handling pattern of linen being processed.

...Without Remodeling

TANDEM 16 - Chicago's one-piece ironer/folder combination for on-premise installations is the solution for laundries with limited floor space. The Tandem fits neatly against a wall in virtually any laundry room, yet it performs three of the most labor-intensive laundry tasks in one continuous operation.

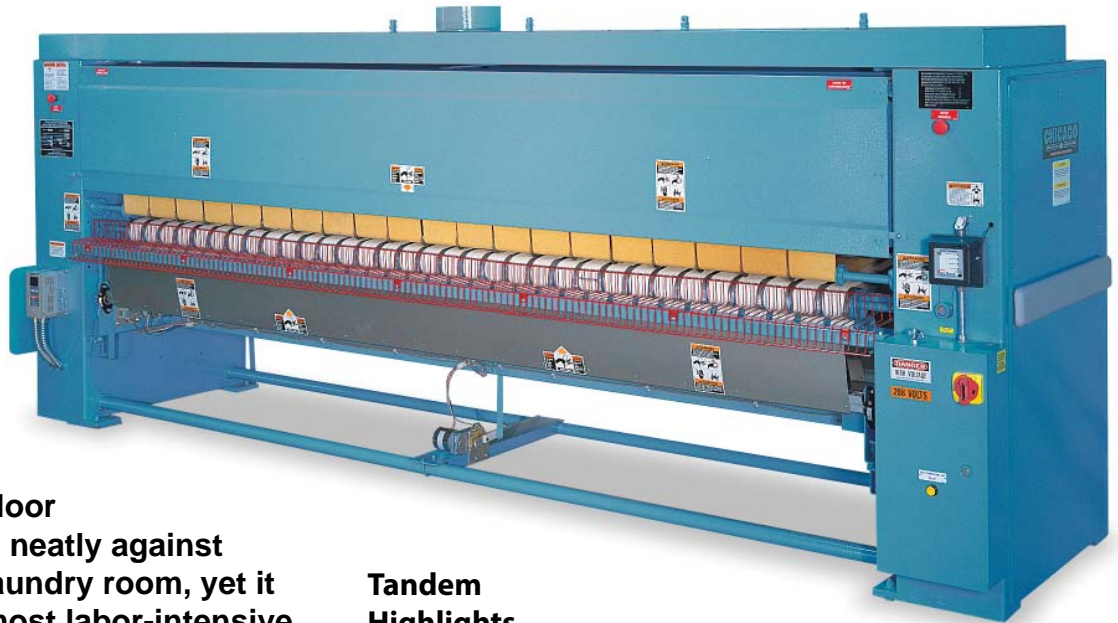
Dries linen taken directly from the washer/extractor. No loading tumble dryers with time consuming cycles of sheets, pillowcases, and table linen. No need to perfectly time and immediately unload and fold these items in an attempt to minimize wrinkles.

Irons flatwork as it dries by removing wrinkles from damp blended or all-cotton fabrics and adds a smooth, ironed gloss finish to bed or table linen.

Folds sheets and larger tabletops into a package which operators can easily handle. No more awkward and tiring hand folding of large items (especially queen or king sheets) or sanitary problems with pieces touching the floor during hand folding.

Tandem Advantages

- **A smoother workflow**
- **A more efficient use of laundry room labor**
- **A superior finished product to satisfy the most demanding customer in today's competitive environment**
- **All at a reasonable cost in terms of capital investment, operating expense, maintenance, and floor space required.**



Tandem Highlights

- Efficient and Convenient
- Powerful and cost effective drying
- Eagle Eye touchless temperature control
- Advance Drive System with jog forward/reverse for flexibility and easier maintenance
- Variable speed drive allows operators to adjust production to specific items being processed
- Extended speed ranges accommodate a wider variety of fabrics and moisture retentions
- Touch-control dial for smooth speed changes
- Complete protection with full safety systems
- Professional measured fold every time via 100% solid-state folding controls and electronic measuring (no mechanical switches)

The economical Rollerfeed option is a labor saving feeding aid which allows one person to feed, iron, and fold sheets and large table linen. Microprocessor senses incoming linen as the operator lays the first edge down, automatically holding the first corner as operator places the second corner. Rollerfeed then feeds linen into the Tandem and returns to its original position, ready for the next piece. Rollerfeed can easily be turned off and bypassed when small items such as pillowcases or napkins are being processed or when two operators process sheets at higher speeds. Optional built-in full speed spreader/feeder enables a single person to operate an all-in-one system including feeding, ironing, folding and stacking of finished linen.

Tandem 16

Dimensions and Utilities

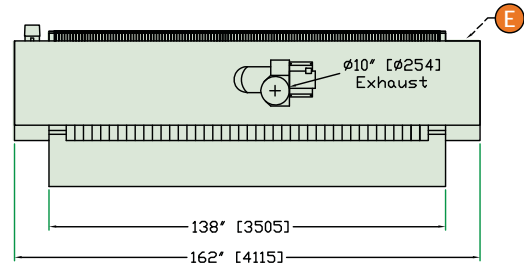
NOTE:

1. Specifications subject to change without notice. Consult factory for certified construction floorplan.
2. Millimeter dimensions are in [].
3. All dimensions are +/- 1/2".
4. Utility connections are located at rear.

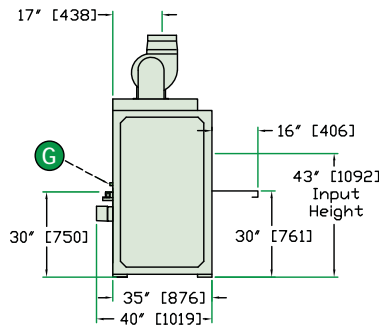
	CONNECTION(S)	DIA.	HEIGHT
(A)	Air Connection	N/A	--
(G)	Gas Connection	1"	32.25" [819]
(E)	Electrical Connection	--	36.5" [927]

SHIPPING WEIGHT	
Domestic, lb. (kg)	3500 lbs (1588 Kg)

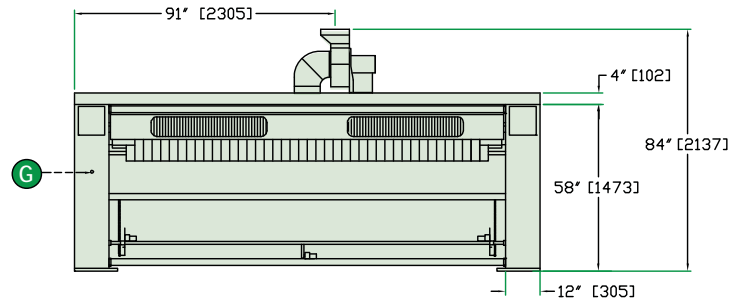
Top View



Side View



Front View



Note: *For electrically heated machines use the same specifications as for gas heated machines. Consult factory for additional roll lengths.

Options

A Complete Range of Separating, Feeding, Ironing, Folding, and Sorting Options

Because Chicago specializes only in flatwork finishing equipment, it can offer the world's widest range of high production separating, feeding, ironing, folding and sorting equipment. Complete flatwork finishing systems range from automated multi-roll systems producing over 2000 pounds per hour, to compact ironers for small on-premise laundries.

Chicago's performance record is unmatched in thousands of installations in commercial, hospitality, health care, textile rental, institutional and on-premise laundries all over the world. An experienced Chicago professional will be pleased to make an objective

equipment recommendation based on your production, space, utility and budget requirements. Contact your local Chicago distributor or the factory sales assistance office for a no-obligation analysis of your needs.

Chicago's Customer Service department offers full technical and service support by telephone and on our website. We also offer overnight service for quick parts availability. Visit our website, www.chidry.com, to learn more about our complete line of flatwork finishing systems, including video of Chicago® equipment in action.



CHICAGO DRYER COMPANY
2200 North Pulaski Road
Chicago, Illinois 60639-3737 USA

Phone • 773.235.4430
Fax • 773.235.4439
Web • www.chidry.com
Email • chicago@chidry.com