

WEIGH MODULES

RL9000TWM Series

Tank, Hopper and Vessel Weighing Assembly



Picture is a representation of actual product

The RL9000TWM Series stainless steel weigh module is ideal for use in tank, hopper, vessel and many other applications. The low-profile design offers an economical solution in a competitive marketplace. This rugged, high-precision mount is designed for easy installation and does not require check rods or other stabilizing hardware. The stainless steel construction and welded-seal offer additional protection in washdown areas.

Load Cell Specifications

Full Scale Output:

3 (\pm 0.1%) mV/V

Bridge Resistance:

350 ohms

Material/Finish:

Stainless steel

Safe Overload:

150% full scale

Rated Excitation:

5-10VDC

Operating Temperature:

0° F to 150° F

Insulation Resistance:

5,000 megohms

Non-linearity:

1 k-100 k 0.05% FS
150 k-450 k 0.1% FS

Non-repeatability:

1 k-100 k 0.02% FS
150 k-450 k 0.03% FS

Seal Type:

Welded-seal IP67

Cable Length:

25 ft

Cable Color Code:

Green+ Excitation
Black.....- Excitation
White+ Signal
Red- Signal

Warranty:

Two-year limited warranty



Assembly with integral
RL9000TWM compression disk load cell.

Standard Features

- Capacities: 1,000 lb-450,000 lb
- Very low profile design
- 3 mV/V output
- Self-centering
- Self-checking assembly
- Offers 100% sideload, 100% uplift and 150% static safe load and 300% ultimate static overload protection
- Stainless steel construction
- Welded-seal
- Weighs accurately with as much as a 3° non-parallel load
- Includes 25 ft load cell cable

Applications

- Tank, hopper or vessel weighing

Optional Features

- Stainless steel top plates (150,000 lb-450,000 lb have mild steel painted base plate)

Complete Kit Includes

- One JB4SS NEMA Type 4X stainless steel signal trim junction box
- Three or four stainless steel mounting assemblies
- 25 ft of our hostile environment EL147HE SURVIVOR® load cell cable

Load Cell Certifications



RL9000TWM Series

Tank, Hopper and Vessel Weighing Assembly

Order Information

Load Rating (Per Module)	Part #	Price
Single Module		
1,000 lb	84353	\$625.00
2,500 lb	84354	\$625.00
5,000 lb	84355	\$625.00
10,000 lb	84356	\$625.00
15,000 lb	84357	\$625.00
20,000 lb	84358	\$1,225.00
25,000 lb	84359	\$1,225.00
35,000 lb	84360	\$1,225.00
50,000 lb	84361	\$1,225.00
60,000 lb	84362	\$2,125.00
75,000 lb	84363	\$2,125.00
100,000 lb	84364	\$2,125.00
150,000 lb	84365	\$4,425.00
200,000 lb	84366	\$4,425.00
250,000 lb	84368	\$6,525.00
300,000 lb	84369	\$6,525.00
400,000 lb	84370	\$6,525.00
450,000 lb	84371	\$6,525.00
3-Module Kit		
1,000 lb	98974	\$2,085.00
2,500 lb	98980	\$2,085.00
5,000 lb	98981	\$2,085.00
10,000 lb	98982	\$2,085.00
15,000 lb	98983	\$2,085.00
20,000 lb	98984	\$3,885.00
25,000 lb	98985	\$3,885.00
35,000 lb	98986	\$3,885.00
50,000 lb	98987	\$3,885.00
60,000 lb	98988	\$6,585.00
75,000 lb	98989	\$6,585.00
100,000 lb	98990	\$6,585.00
150,000 lb	98991	\$13,485.00
200,000 lb	98992	\$13,485.00
250,000 lb	98993	\$19,785.00
300,000 lb	98994	\$19,785.00
400,000 lb	98995	\$19,785.00
450,000 lb	98996	\$19,785.00
4-Module Kit		
1,000 lb	98997	\$2,615.00
2,500 lb	98998	\$2,615.00
5,000 lb	98999	\$2,615.00
10,000 lb	99000	\$2,615.00
15,000 lb	99001	\$2,615.00
20,000 lb	99002	\$5,015.00
25,000 lb	99003	\$5,015.00
35,000 lb	99004	\$5,015.00
50,000 lb	99005	\$5,015.00
60,000 lb	99006	\$8,615.00
75,000 lb	99007	\$8,615.00
100,000 lb	99008	\$8,615.00
150,000 lb	99009	\$17,815.00
200,000 lb	99010	\$17,815.00
250,000 lb	99011	\$26,215.00
300,000 lb	99012	\$26,215.00
400,000 lb	99013	\$26,215.00

150,000 lb-450,000 lb have mild steel painted base plates

Load Rating (Per Module)	Part #	Price
450,000 lb	99014	\$26,215.00
Top Plates (Stainless Steel) with bolts		
1,000 lb-15,000 lb	91207	\$150.00
20,000 lb-50,000 lb	91210	\$325.00
60,000 lb-100,000 lb	91211	\$695.00
150,000 lb-200,000 lb	91213	\$895.00
250,000 lb-450,000 lb	91215	\$1,695.00
Top Plates (Mild Steel) with bolts		
1,000 lb-15,000 lb	124758	\$75.00
20,000 lb-50,000 lb	125141	\$145.00
60,000 lb-100,000 lb	124759	\$195.00
150,000 lb-200,000 lb	124760	\$325.00
250,000 lb-450,000 lb	124761	\$425.00
Dummy Weigh Modules (non-functioning)		
1,000 lb-10,000 lb	158749	\$95.00
15,000 lb	158750	\$125.00
20,000 lb-50,000 lb	158752	\$135.00
60,000 lb-100,000 lb	158753	\$150.00
150,000 lb-200,000 lb	158754	\$395.00
250,000 lb-450,000 lb	158755	\$425.00

150,000 lb-450,000 lb have mild steel painted base plates

Shims - Order Information

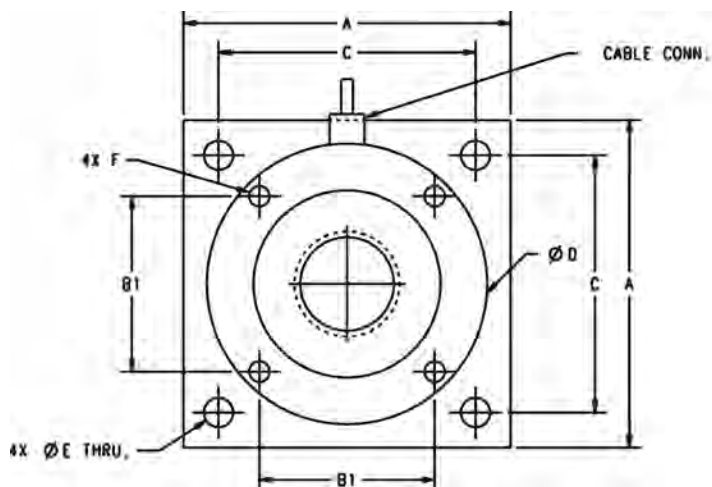
Capacity	Thickness	Material	Part #	Price
Shims				
1,000 lb-15,000 lb	0.0625	SST	167001	\$2.25
1,000 lb-15,000 lb	0.125	SST	167002	\$3.50
1,000 lb-15,000 lb	0.250	SST	167003	\$6.15
1,000 lb-15,000 lb	0.0625	MS	167004	\$10.50
1,000 lb-15,000 lb	0.125	MS	167005	\$18.00
1,000 lb-15,000 lb	0.250	MS	167006	\$24.00
20,000 lb-50,000 lb	0.0625	SST	167008	\$4.10
20,000 lb-50,000 lb	0.125	SST	167009	\$6.05
20,000 lb-50,000 lb	0.250	SST	167010	\$13.25
20,000 lb-50,000 lb	0.0625	MS	167011	\$2.65
20,000 lb-50,000 lb	0.125	MS	167012	\$2.35
20,000 lb-50,000 lb	0.250	MS	167013	\$3.50
60,000 lb-100,000 lb	0.0625	SST	167014	\$4.75
60,000 lb-100,000 lb	0.125	SST	167015	\$16.15
60,000 lb-100,000 lb	0.250	SST	167016	\$26.25
150,000 lb-200,000 lb	0.0625	SST	167020	\$9.25
150,000 lb-200,000 lb	0.125	SST	167021	\$14.95
150,000 lb-200,000 lb	0.250	SST	167022	\$35.75
250,000 lb-450,000 lb	0.0625	SST	167026	\$15.75
250,000 lb-450,000 lb	0.125	SST	167027	\$19.75
250,000 lb-450,000 lb	0.250	SST	167028	\$45.00

SST Stainless steel

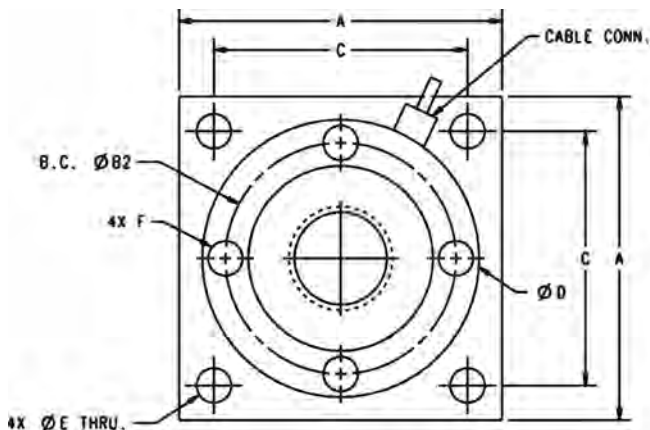
MS Mild steel

RL9000TWM Series

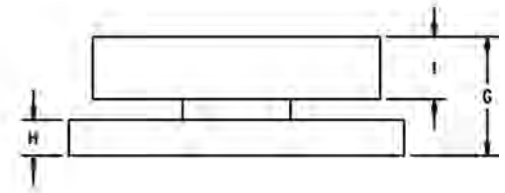
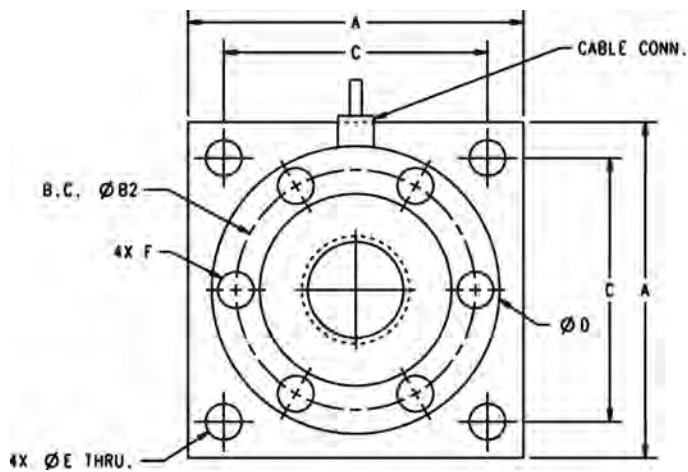
Tank, Hopper and Vessel Weighing Assembly

**Dimensions (inches)**

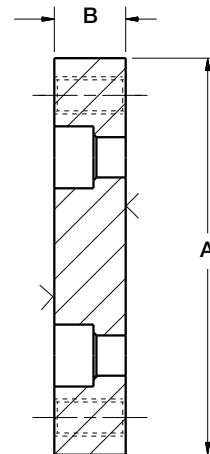
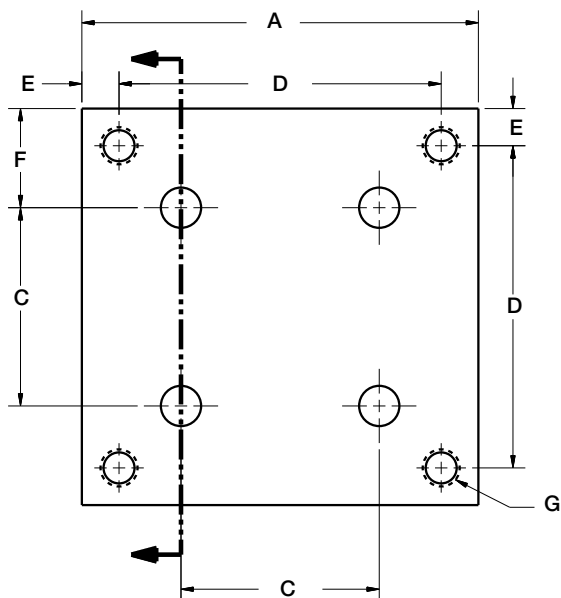
Rated Capacity	A	B1	C	D	E	F	G	H	I	Conduit Adapter
1,000 lb-10,000 lb	4.00	2.00	3.25	3.50	0.40	3/8-16	1.35	0.375	0.75	N/A
15,000 lb	4.00	2.00	3.25	3.50	0.40	3/8-16	1.60	0.625	0.75	N/A
20,000 lb-50,000 lb	7.00	3.75	5.50	6.00	0.63	1/2-13	2.48	0.75	1.30	1/2-14 NPT
60,000 lb-100,000 lb	8.00	4.25	6.50	7.00	0.81	3/4-16	2.50	1.00	1.30	1/2-14 NPT

**Dimensions (inches)**

Rated Capacity	A	B2	C	D	E	F	G	H	I	Conduit Adapter
150,000 lb-200,000 lb	10.0	7.825	8.00	9.00	1.10	1-14"	4.75	2.00	1.70	1/2-14 NPT

**Dimensions**

Rated Capacity	A	B2	C	D	E	F	G	H	I	Conduit Adapter
250k-450k	11.00	7.75	9.00	9.00	1.30	7/8-14	6.42	3.00	2.25	1/2-14 NPT

Optional Top Plates**Dimensions**

Rated Capacity	A	B	C	D	E	F	G
lb/in							
1,000 lb - 15,000 lb	4.00	0.72	2.00	3.25	0.38	1.00	3/8-16 NC
20,000 lb - 50,000 lb	7.00	0.97	3.75	5.50	0.75	1.62	5/8-11 NC
60,000 lb - 100,000 lb	8.00	1.46	4.25	6.50	0.75	1.88	3/4-16 NF
150,000 lb - 200,000 lb	10.00	1.94	5.53	8.00	1.00	2.25	1-14 UNS
250,000 lb - 450,000 lb	11.00	2.94	7.75 B.C.	9.00	1.00	1.00	1-1/4-12 NF