

Intrinsic Safety Barriers

Part #70723:

- Excitation 9001/00-083-442-101

Voltage Range:

-6VDC

Internal Resistance:

26 Ω

Open Circuit Voltage:

-8.4VDC

Short Circuit Current:

442 mA

Classifications:FM approved, UL listed,
CSA certified, SA, CE marked**Part #70724:**

+ Sense 9001/01-086-020-101

Voltage Range:

+ 6VDC

Internal Resistance:

470 Ω

Open Circuit Voltage:

8.6VDC

Short Circuit Current:

18.3 mA

Classifications:FM approved, UL listed,
CSA certified, SA, CE marked**Part #72396:**

- Sense 9001/00-086-020-101

Voltage Range:

+ 6VDC

Internal Resistance:

480 Ω

Open Circuit Voltage:

8.6VDC

Short Circuit Current:

18.3 mA

Classifications:FM approved, UL listed,
CSA-certified, SA, CE marked**Part #30266:**

- Excitation 9001/00-086-390-101

Voltage Range:

-0.6VDC

Internal Resistance:

30 Ω

Open Circuit Voltage:

8.6VDC

Short Circuit Current:

377.6 mA

Classifications:

FM approved

Part #72521:

- Excitation 9001/01-199-390-101

Voltage Range:

+16VDC

Internal Resistance:

67 Ω

Open Circuit Voltage:

-19.9VDC

Short Circuit Current:

382.7 mA

Classifications:FM approved, CSA-certified,
CE marked**Part #30265:**

+ Excitation 9001/01-086-390-101

Voltage Range:

+ 6VDC

Internal Resistance:

30 Ω

Open Circuit Voltage:

8.6VDC

Short Circuit Current:

377.6 mA

Classifications:

FM approved

Part Number/Price

Part #	Description	Est. Weight	Price
Barrier Kit #1 (For models with ± 5 Volt excitation)			
31202	9002/10-187-270-001, ± Excitation barrier	1 lb	\$450.00
30264	9002/10-187-020-001, ± Sense barrier	1 lb	\$475.00
30263	9002/77-093-040-001, ± Signal barrier	1 lb	\$475.00
109663	DIN rail mounted kit #1 (includes 31202, 30264, 30263)	2 lb	\$1,525.00
Barrier Kit #2: (For models with + 10 Volt excitation)			
31201	9001/01-158-390-101, + Excitation barrier	1 lb	\$385.00
69491	9001/02-016-150-111, - Excitation barrier	1 lb	\$350.00
69492	9001/01-168-020-101, + Sense barrier	1 lb	\$325.00
69493	9001/002-016-015-101, - Sense barrier	1 lb	\$375.00
30263	9002/77-093-040-001, ± Signal barrier	1 lb	\$475.00
Barrier Kit #3: (For models with + 5 Volt excitation)			
31540	9001/01-083-442-101, + Excitation barrier	1 lb	\$295.00
69491	9001/02-016-150-11, - Excitation barrier	1 lb	\$350.00
30263	9002/77-093-040-001, ± Signal barrier	1 lb	\$475.00
If sense leads are needed, use the following:			
70724	9001/01-086-020-101, + Sense barrier	1 lb	\$295.00
69493	9001/002-016-015-101, - Sense barrier	1 lb	\$375.00
Miscellaneous Barriers:			
31201	9001/01-158-390-101, + Excitation barrier	1 lb	\$385.00
69491	9001/02-016-150-111, - Excitation barrier	1 lb	\$350.00
69492	9001/01-168-020-101, + Sense barrier	1 lb	\$325.00
69493	9001/002-016-015-101, - Sense barrier	1 lb	\$375.00
30263	9002/77-093-040-001, ± Signal barrier	1 lb	\$475.00
31542	9002/77-093-300-001, RS-232	1 lb	\$425.00
30266	9001/00-086-390-101, - Excitation barrier	1 lb	\$325.00
30265	9001/01-086-390-101, + Excitation barrier	1 lb	\$325.00
72521	9001-01-199-390-101, + Excitation barrier	1 lb	\$425.00

Options/Accessories:

Part #	Description	Price
33531	DIN rail, 6 in length	\$10.00
35815	IS barrier installation manual	\$5.00
110424	FRP enclosure, up to 4 barriers (not included)	\$225.00
22828	Ground terminal block	\$15.00
42219	Barrier fuse (160 mA)	\$13.65

MSI Scoreboards Wireless RF

Featuring LaserLight 2 Remote Displays



Specifications

Enclosure:

NEMA Type 4, IP66

Display:

Six-digit long-life LED, 4 in or 6 in

Power:

AC/DC power supply 85-265 VAC, 47-440 Hz/130-300 VDC

Radio Link:

Direct sequence spread spectrum at 2.4 GHz

Radio Link Effective Range:

Typically 300 ft (150 m) with standard antennas (see optional antennas for longer range)

Standard Antenna:

1/2 wave 2 dBi, articulated

Warranty:

One-year limited

Echo Data Output:

RS-232

Standard Features

- Swivel mounting bracket (mounts to uneven surfaces and poles)
- Integrated data repeater
- AC/DC power supply: 85-265 VAC, 47-440 Hz/130-300 VDC
- LaserLight 2
- RF telemetry via 2.4 GHz modem
- Six high-intensity red digits (double-row discrete LED)
- Auto Learn mode of communication protocols
- Hold displayed weight (demand input)
- Software selectable standstill mode for no updates while in motion
- Durable weather tight IP66 enclosure
- Adjustable daylight/night intensity
- Non-glare contrast filtered lens
- Mirror (reverse image) feature
- RS-232, 20 mA and RS-485 communications
- Auto sensing 115/230 VAC power supply
- PEMs for VESA flat-wall mount or side-mounting flange
- Polyethylene breather vent inhibits internal moisture buildup
- Red, green and arrow lights in stop/go version

Part Number/Price

Part #	Description	Est. Weight	Price
178004	LaserLight 2, 4 in with ScaleCore RF and swivel bracket		\$1,995.00
178006	LaserLight 2, 6 in with ScaleCore RF and swivel bracket		\$2,375.00

*CellScale models available

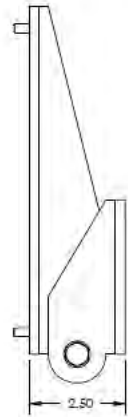
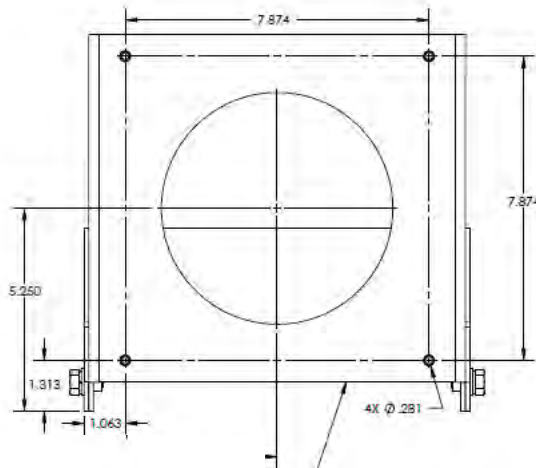
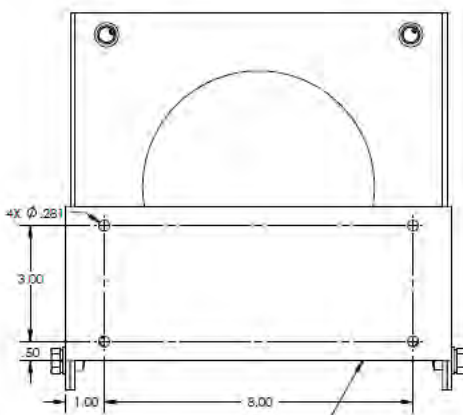
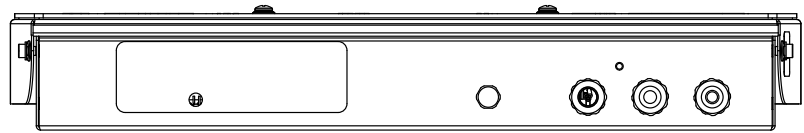
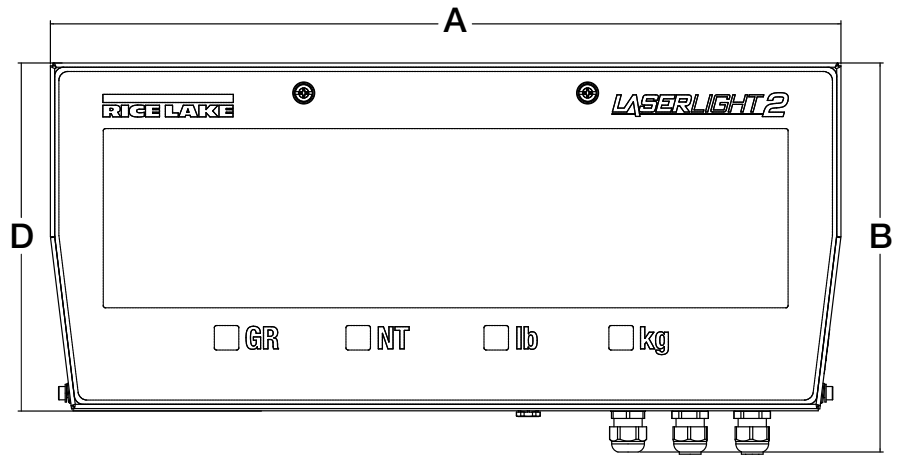
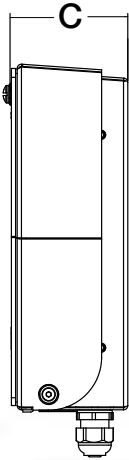
Options/Accessories

Part #	MSI Part #	Description	Est. Weight	Price
139309	Consult	Long range antenna, 300 m-500 m omni-directional with 9 dBi gain, includes 10 ft/3 m coaxial cable	1 lb	Consult
139310	Consult	9 dBi gain corner reflector antenna	1 lb	Consult
139311	Consult	12 dBi gain corner reflector antenna	1 lb	Consult
139313	Consult	5 dBi gain vehicle/cab mount whip antenna	1 lb	Consult

MSI Scoreboards Wireless RF

Featuring LaserLight 2 Remote Displays

Dimensions			
22-inch enclosure (4-inch model)			
A	22.28 in (565 mm)	C	3.28 in (85 mm)
B	10.96 in (280 mm)	D	9.80 in (250 mm)
31-inch enclosure (6-inch model)			
A	30.63 in (780 mm)	C	3.73 in (95 mm)
B	13.94 in (355 mm)	D	12.77 in (325 mm)



THIS BRACKET ATTACHES TO THE WALL (BOLTS NOT INCLUDED)

THIS BRACKET ATTACHES TO THE LASERLIGHT DISPLAY

